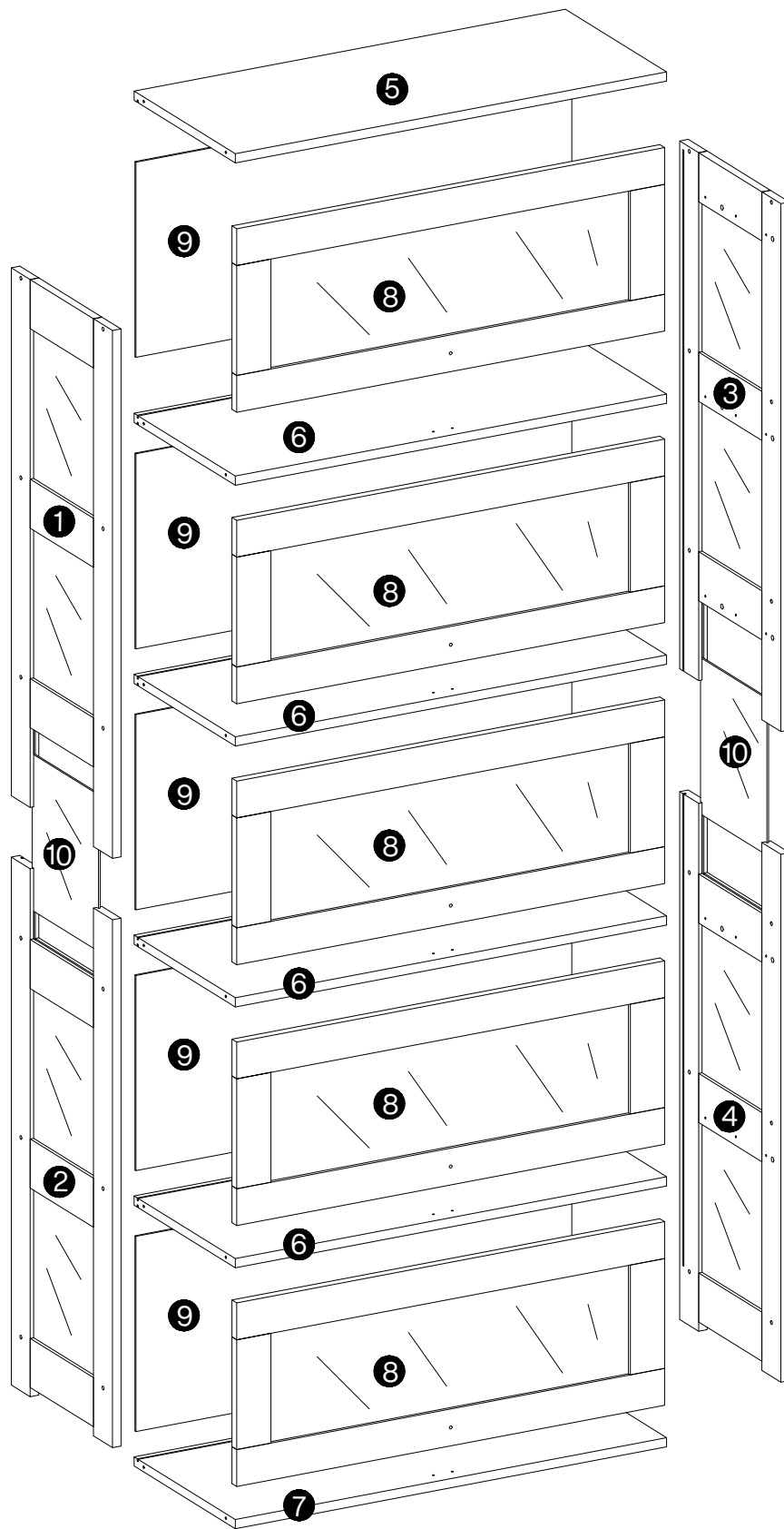


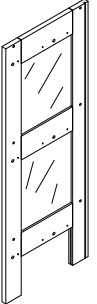
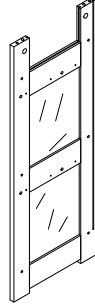
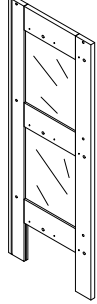
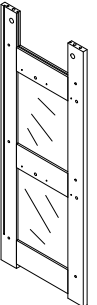
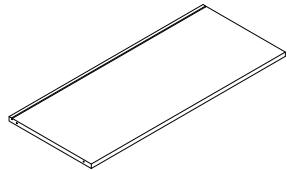
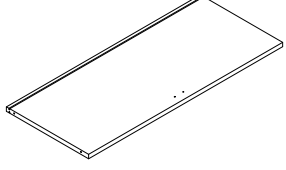
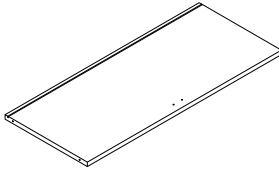
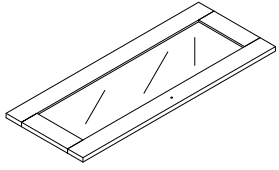
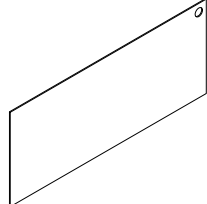
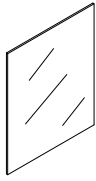
Assembly Instructions

Thank you for your purchase.

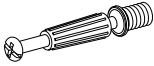

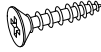
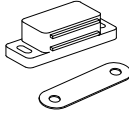
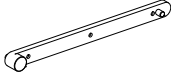

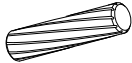

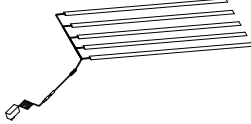
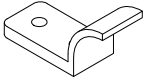
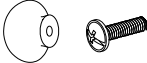

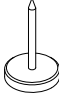
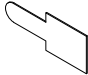

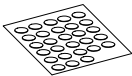
Please follow the instructions below for correct assembly.



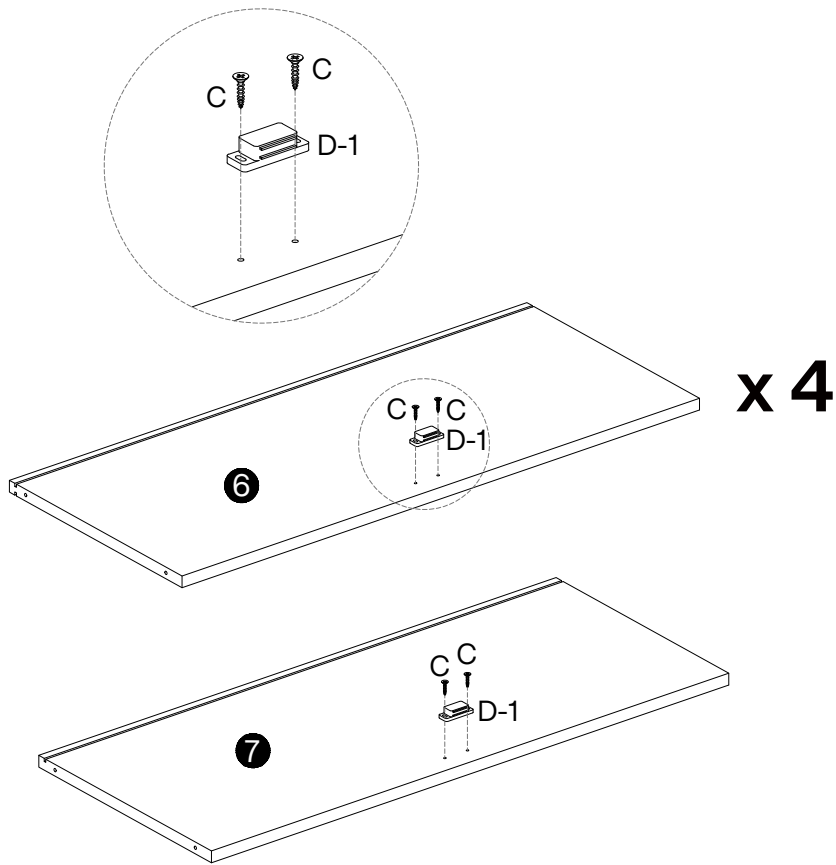
Parts List



<p>1</p>  <p>1pc</p>	<p>2</p>  <p>1pc</p>	<p>3</p>  <p>1pc</p>
<p>4</p>  <p>1pc</p>	<p>5</p>  <p>1pc</p>	<p>6</p>  <p>4 pcs</p>
<p>7</p>  <p>1pc</p>	<p>8</p>  <p>5 pcs</p>	<p>9</p>  <p>5 pcs</p>
<p>10</p>  <p>2 pcs</p>		

Hardware List

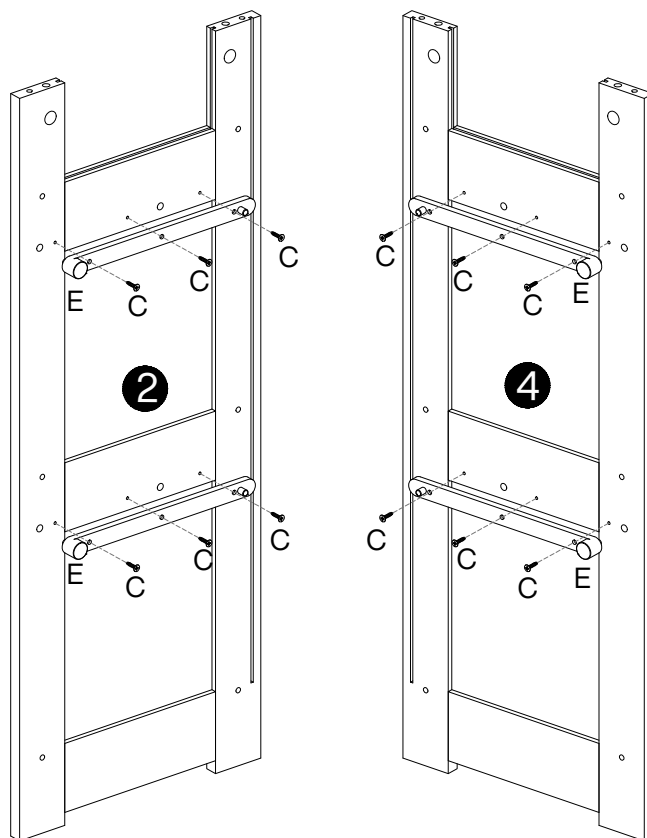
A	B	C	D	E
		 M3.5X14 mm		
4 pcs	4 pcs	90 pcs	5 pcs	10 pcs
F	G	H	J	K
 M5x40 mm	 Ø8x30 mm			
24 pcs	4 pcs	2 pcs	1 pcs	10 pcs
L	M	N	O	P
				
5 pcs	20 pcs	4 pcs	6 pcs	15 pcs
Q				
				
28 pcs				



1



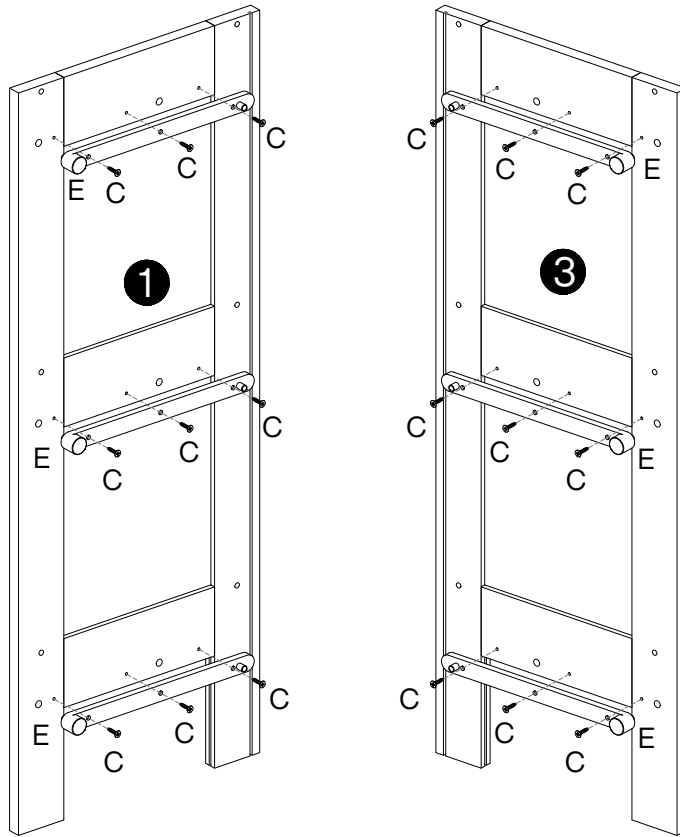
C	D-1
	
10 pcs	5 pcs



2



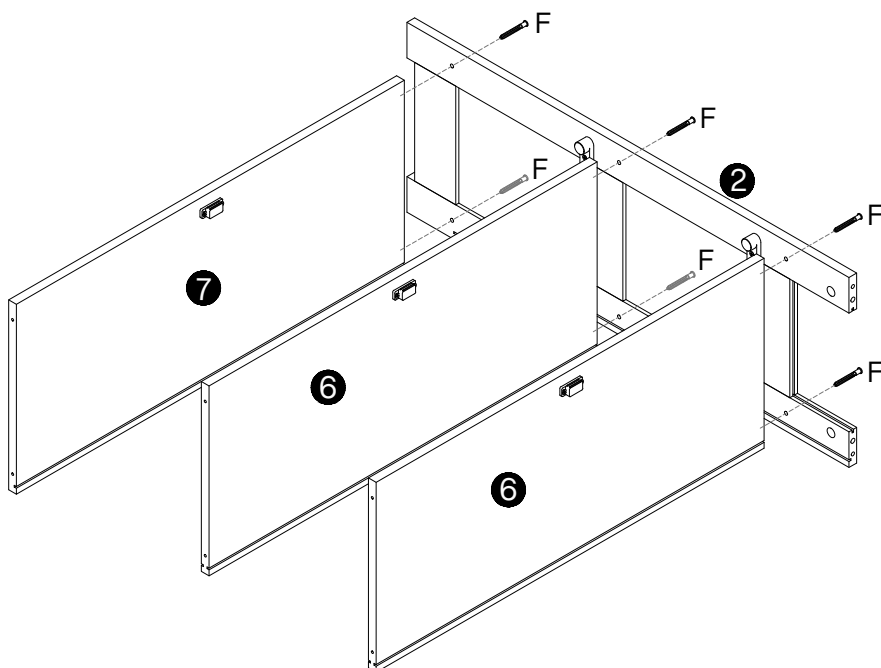
C	E
	
12 pcs	4 pcs


3



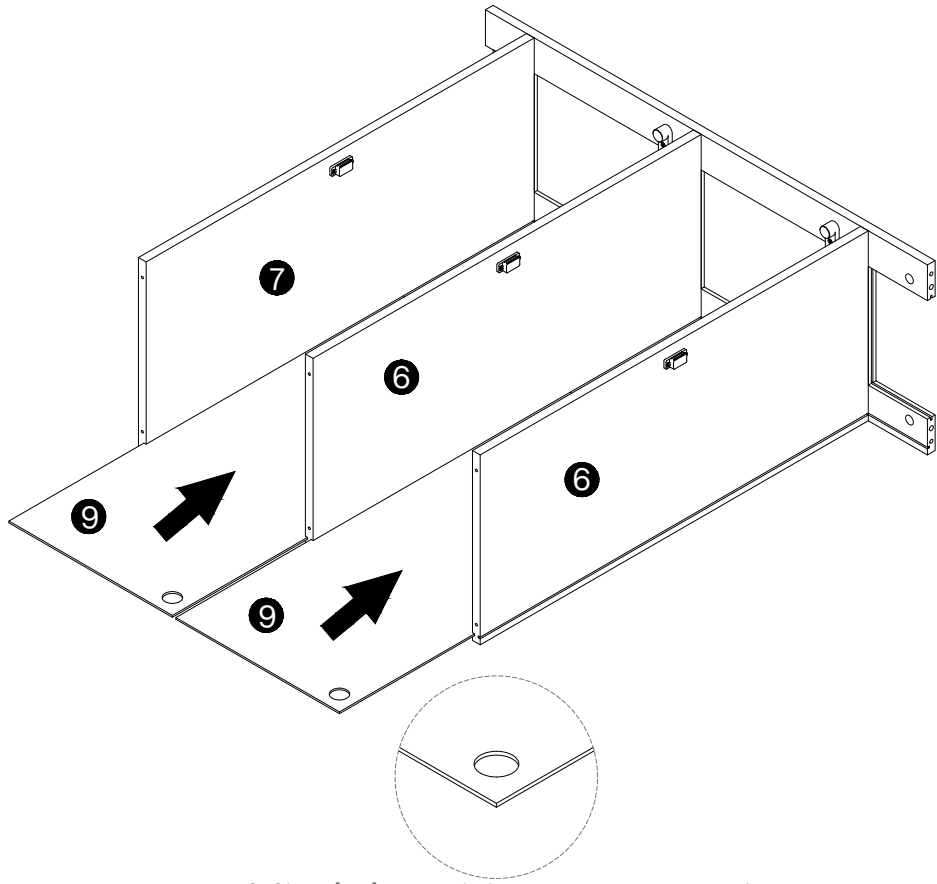
C	E
	
18 pcs	6 pcs

4



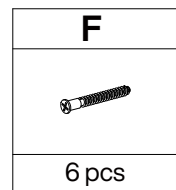
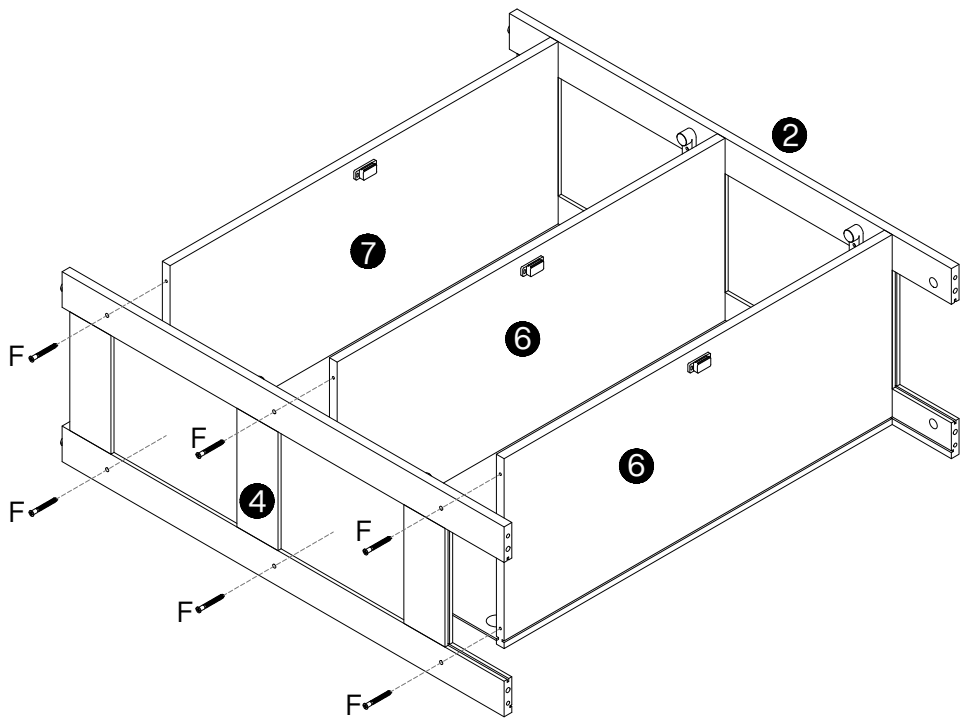
F

6 pcs

5

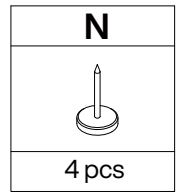
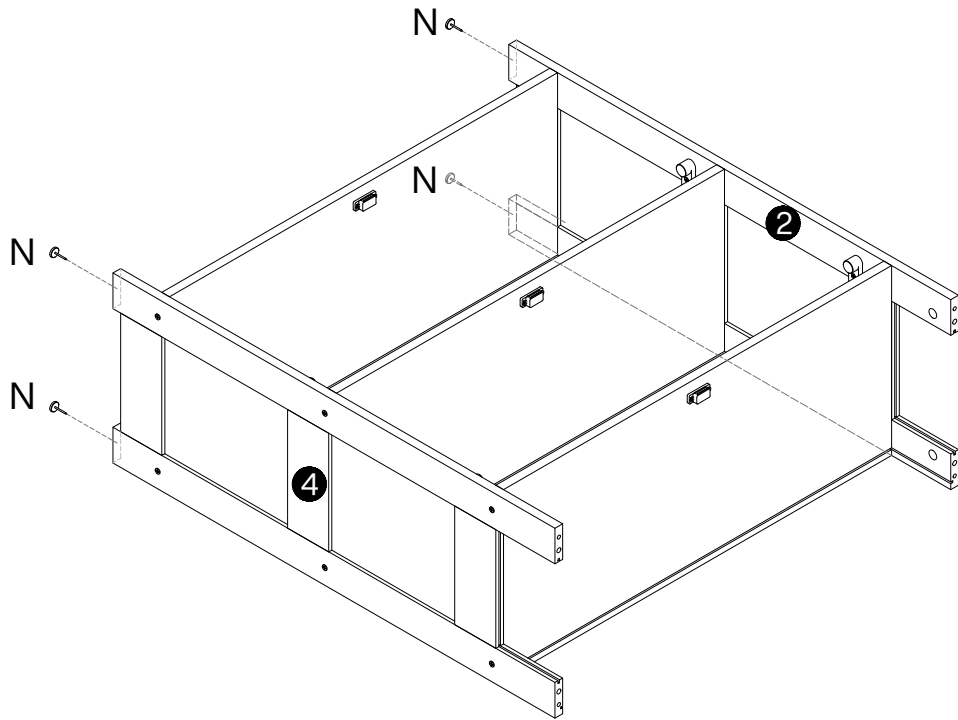


Mind the wiring access point

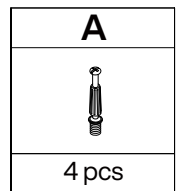
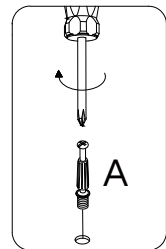
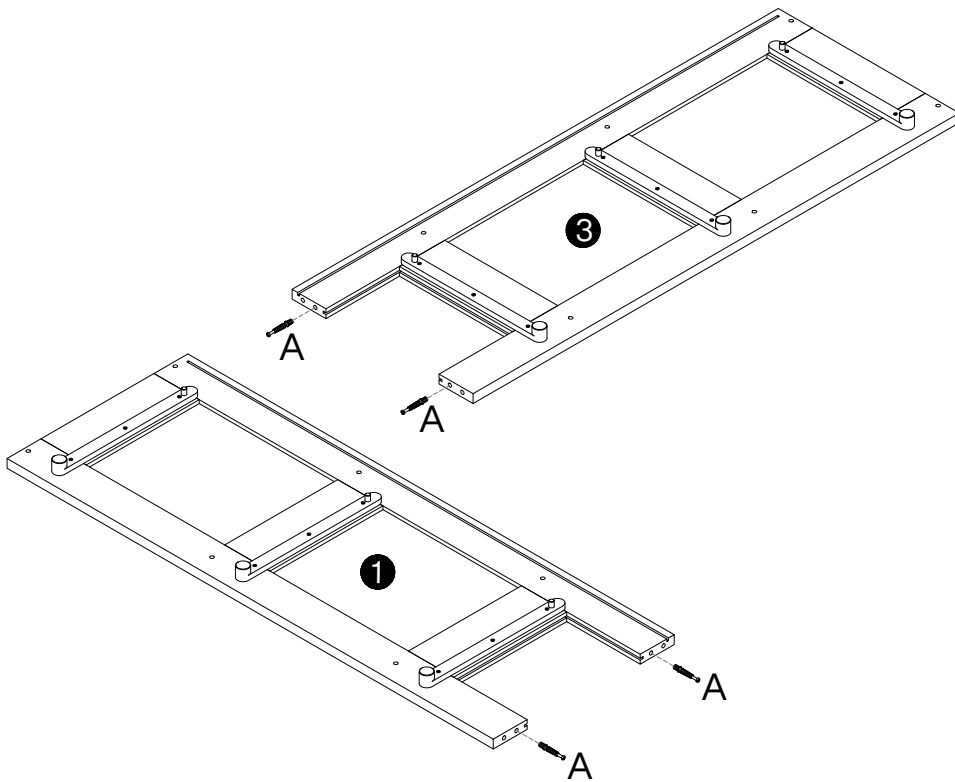
6



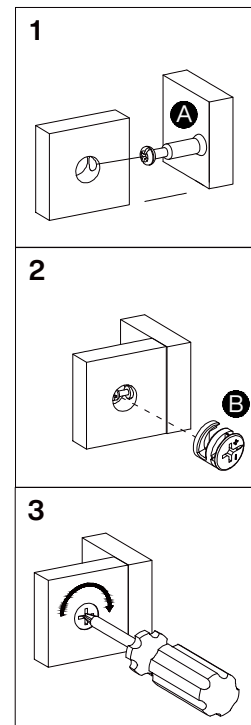
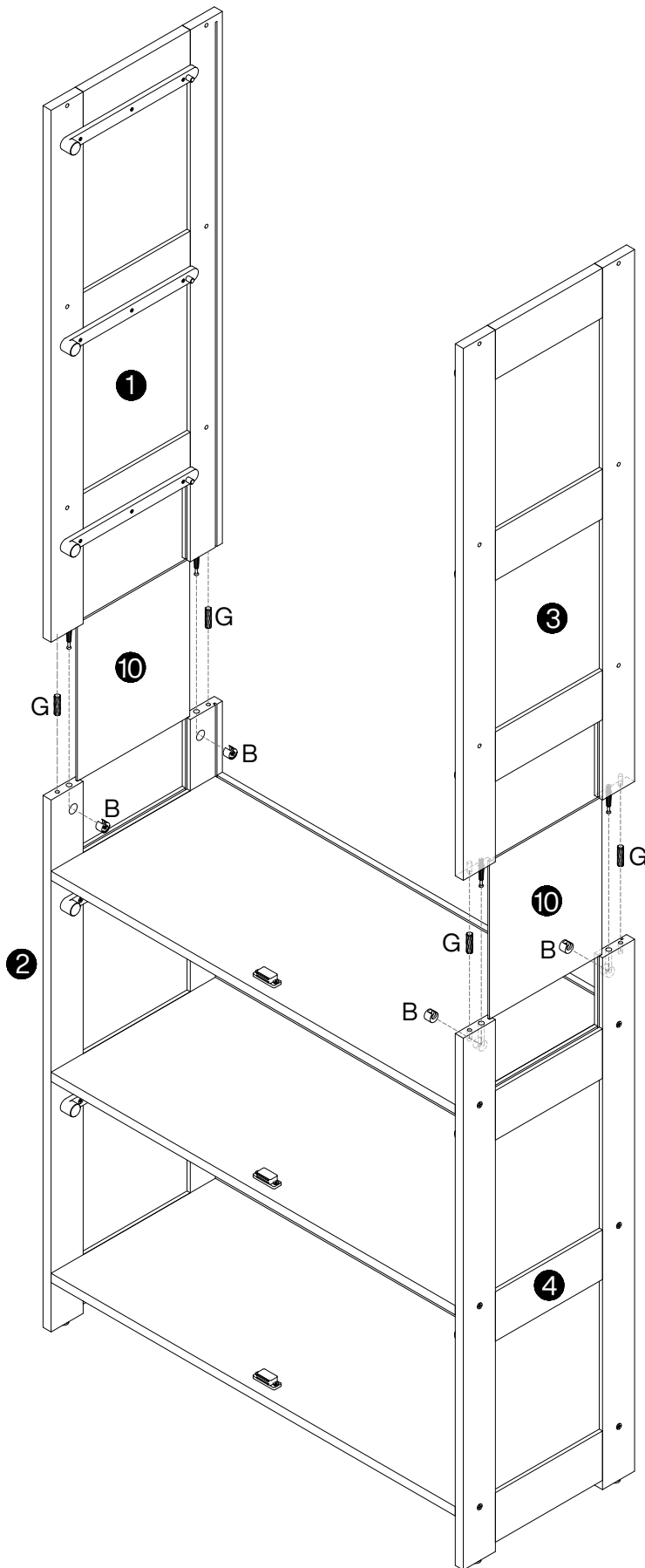
7





8

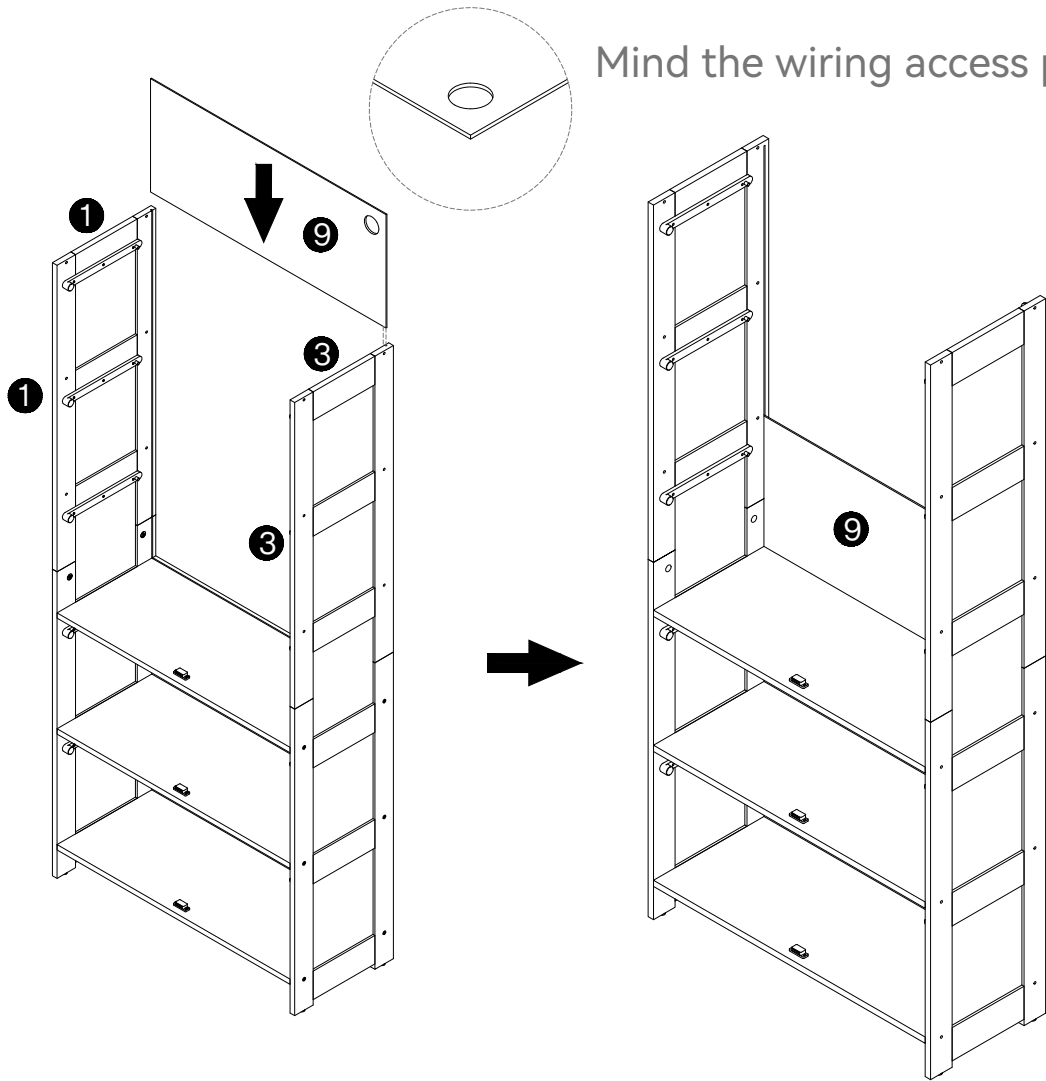


9

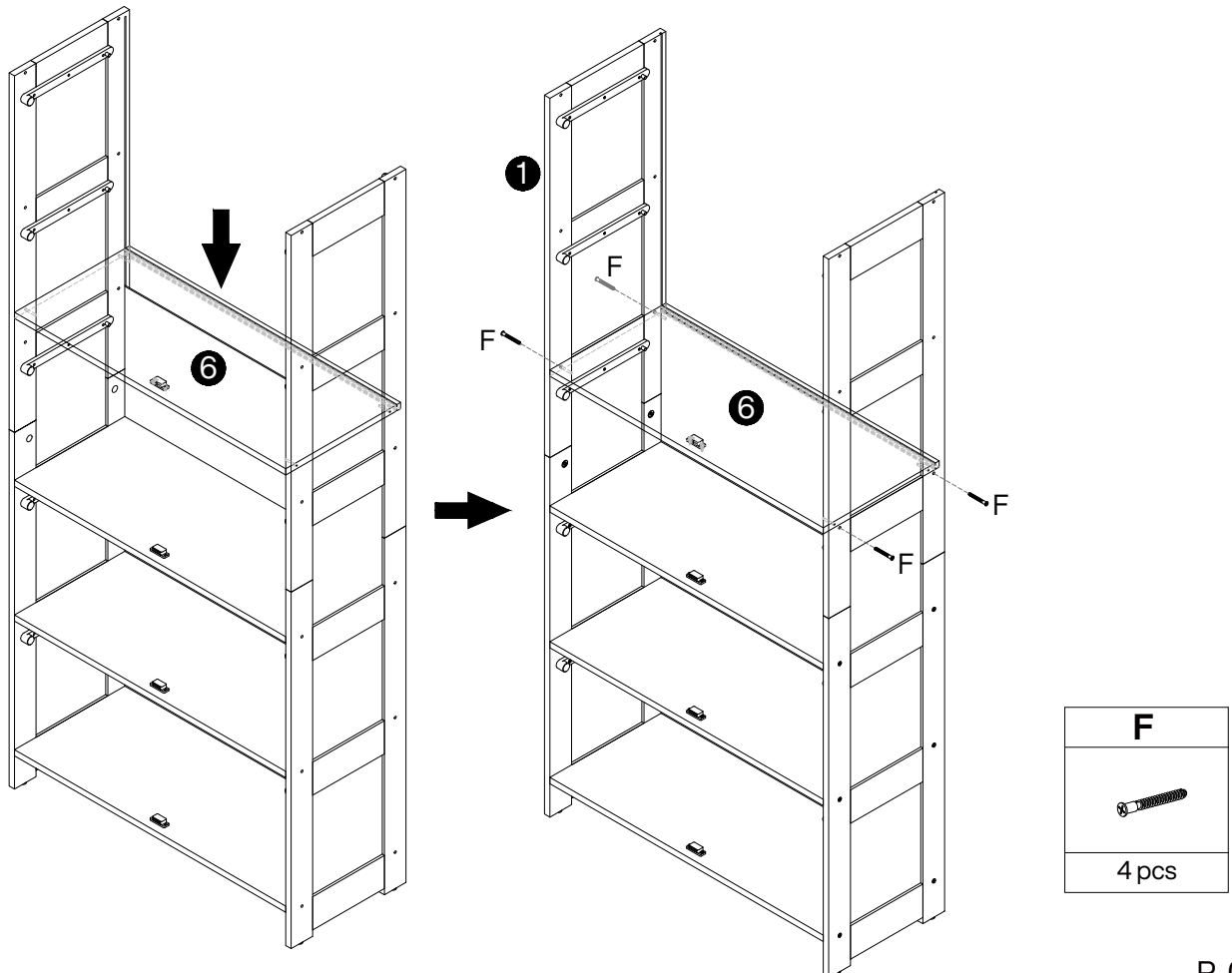


B	G
	
4 pcs	4 pcs

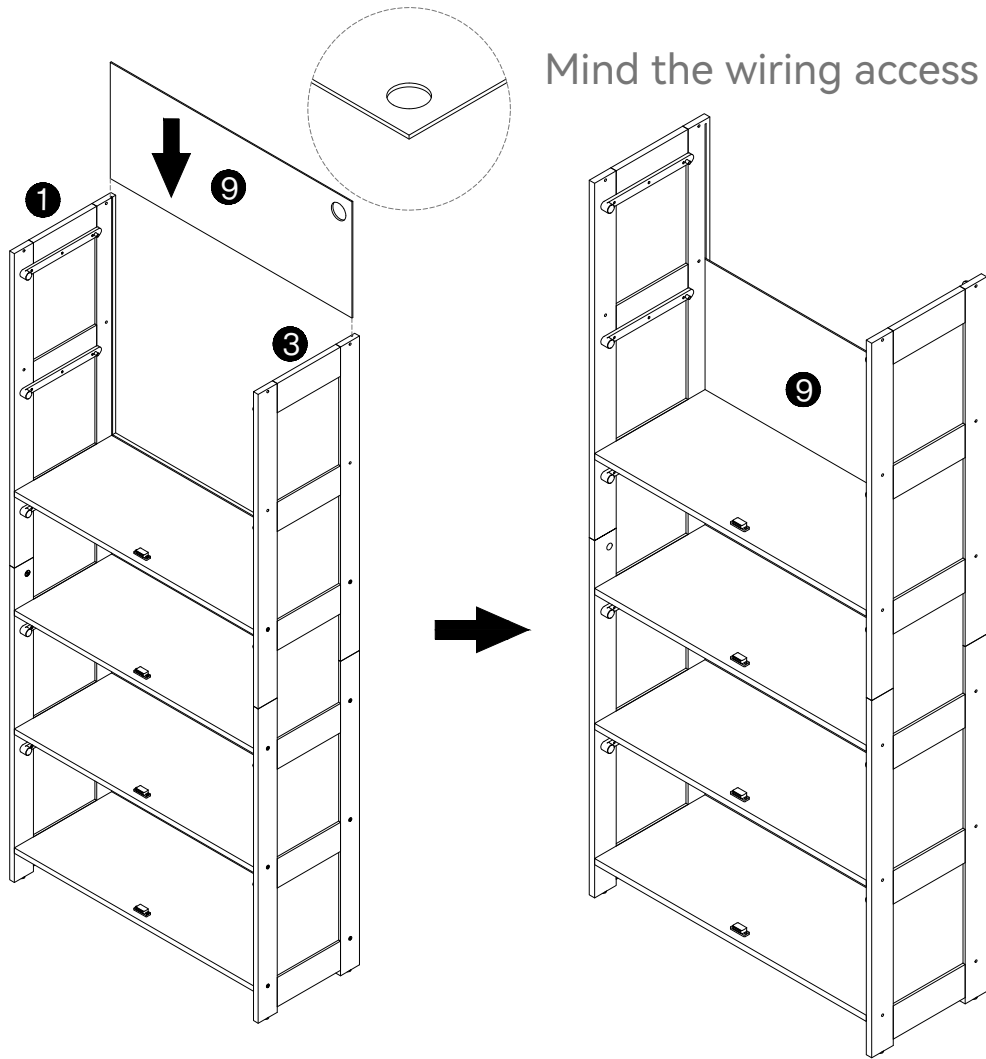
10



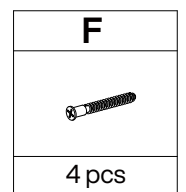
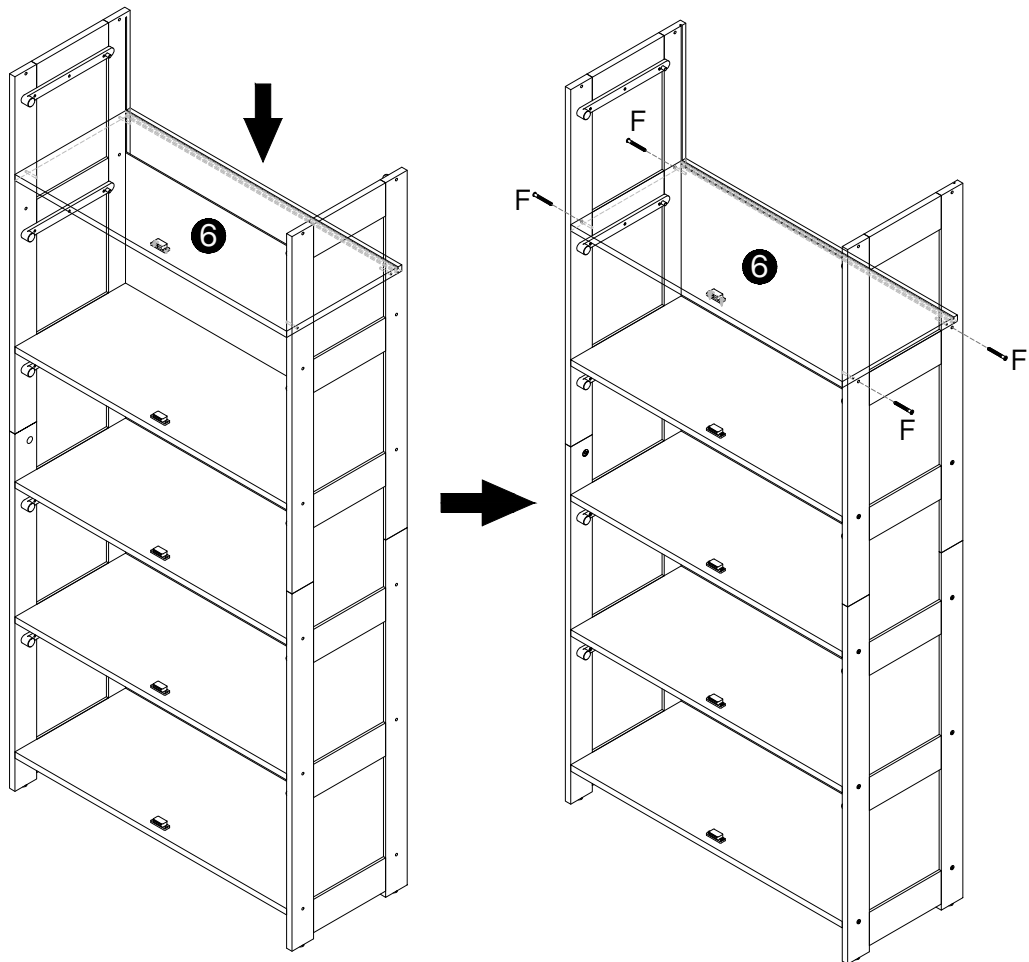
11



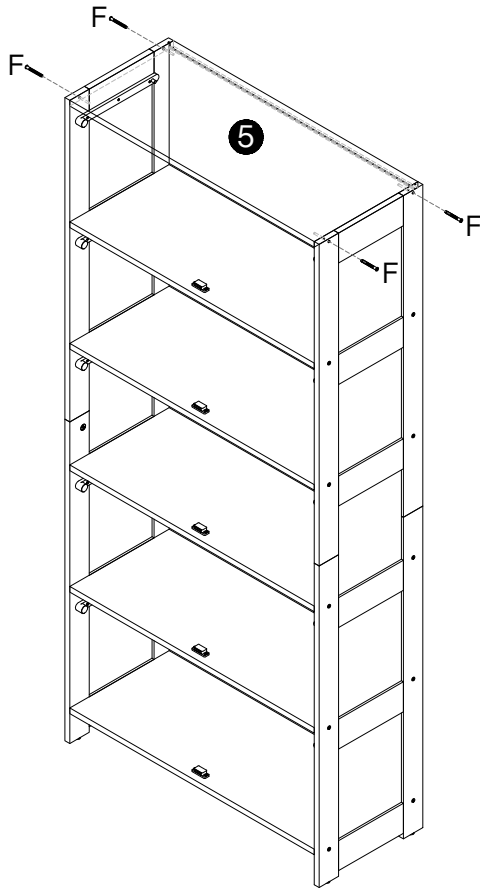
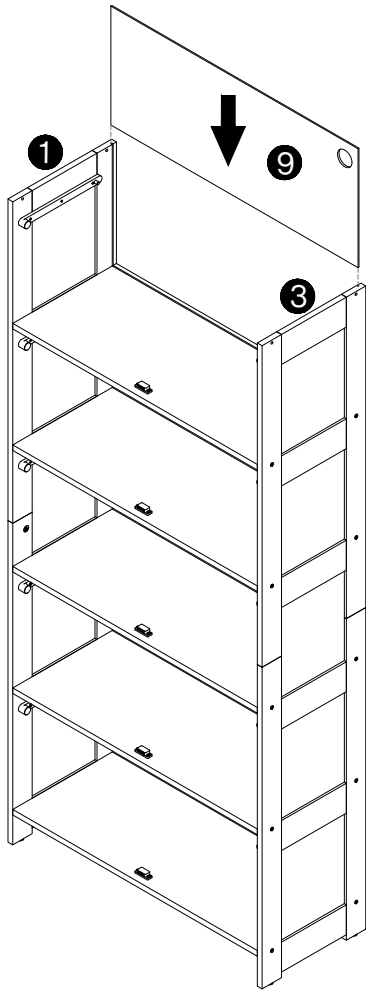
12




13

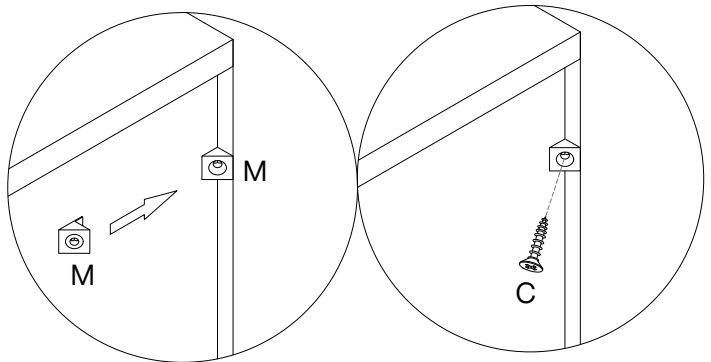
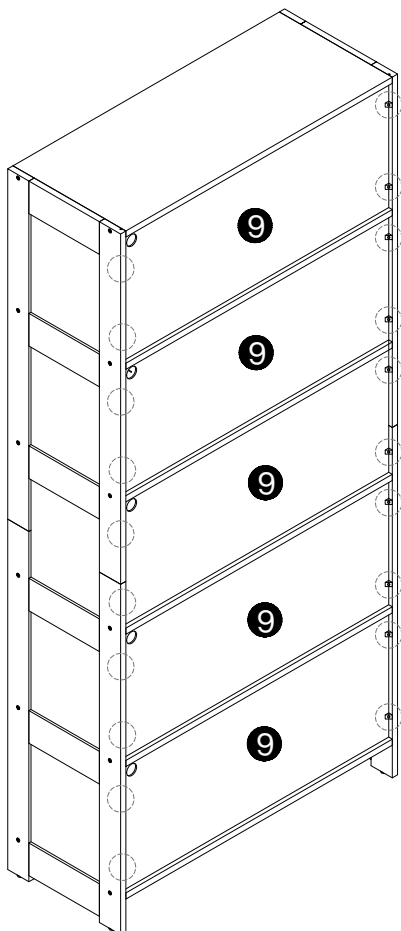




14

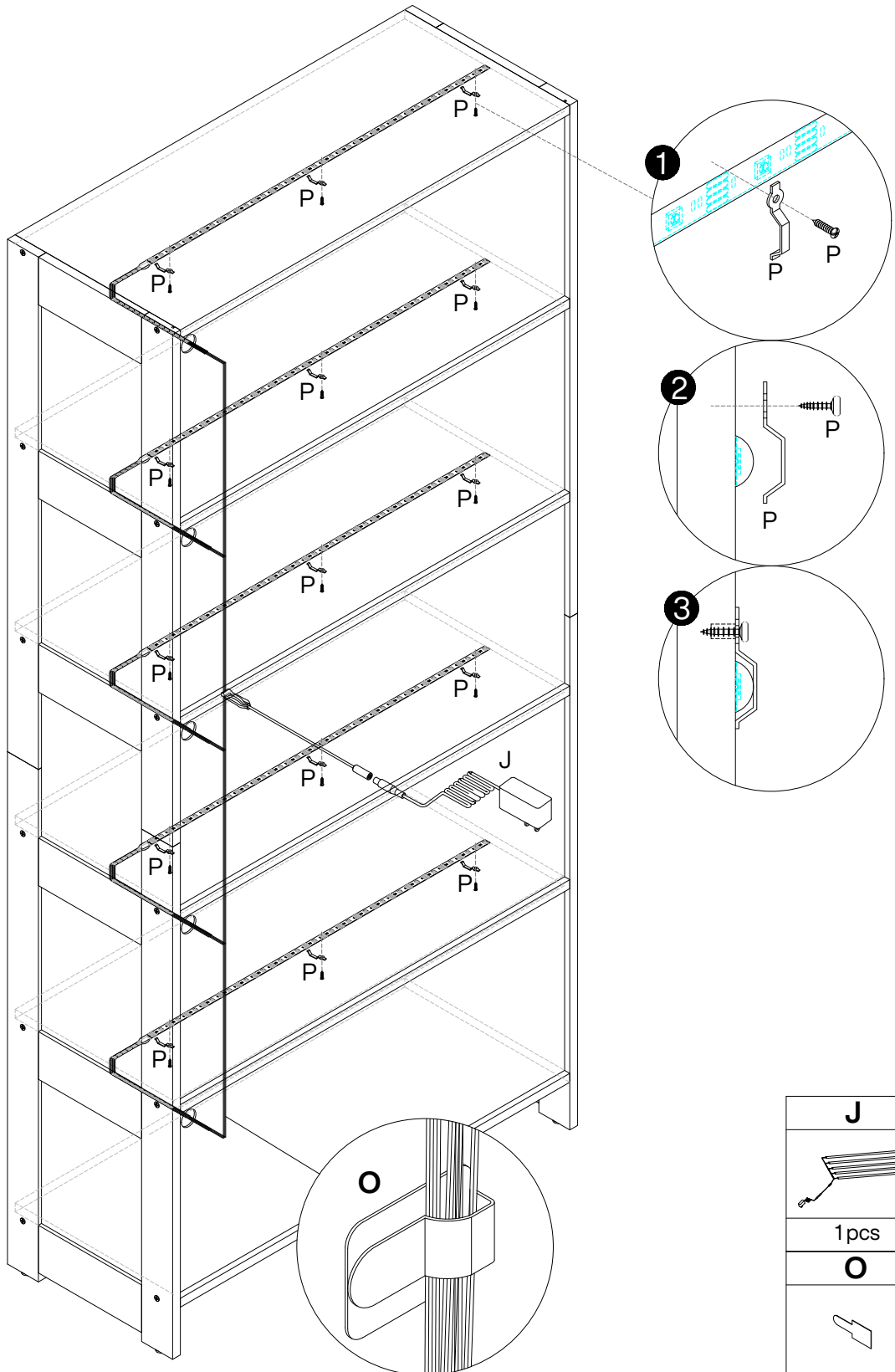


F

4 pcs

14

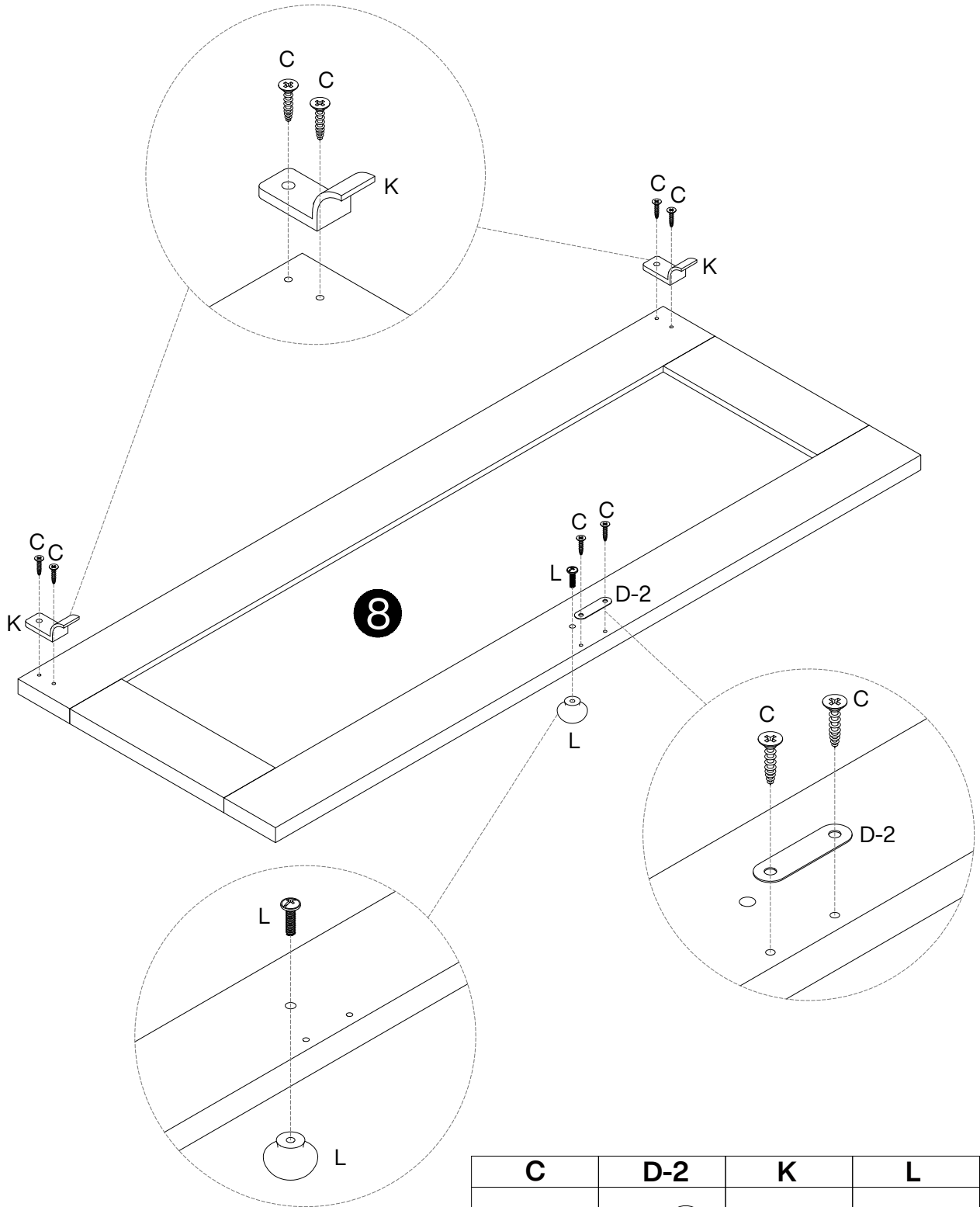


C	M
	
20 pcs	20 pcs




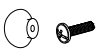


1. Feed the LED strip light through the rear opening.
2. Peel off its adhesive backing and apply it to the bottom surface.
3. Reinforce the strip with Component P.
4. Use Component O to organize the messy wire harness and secure it to the back.

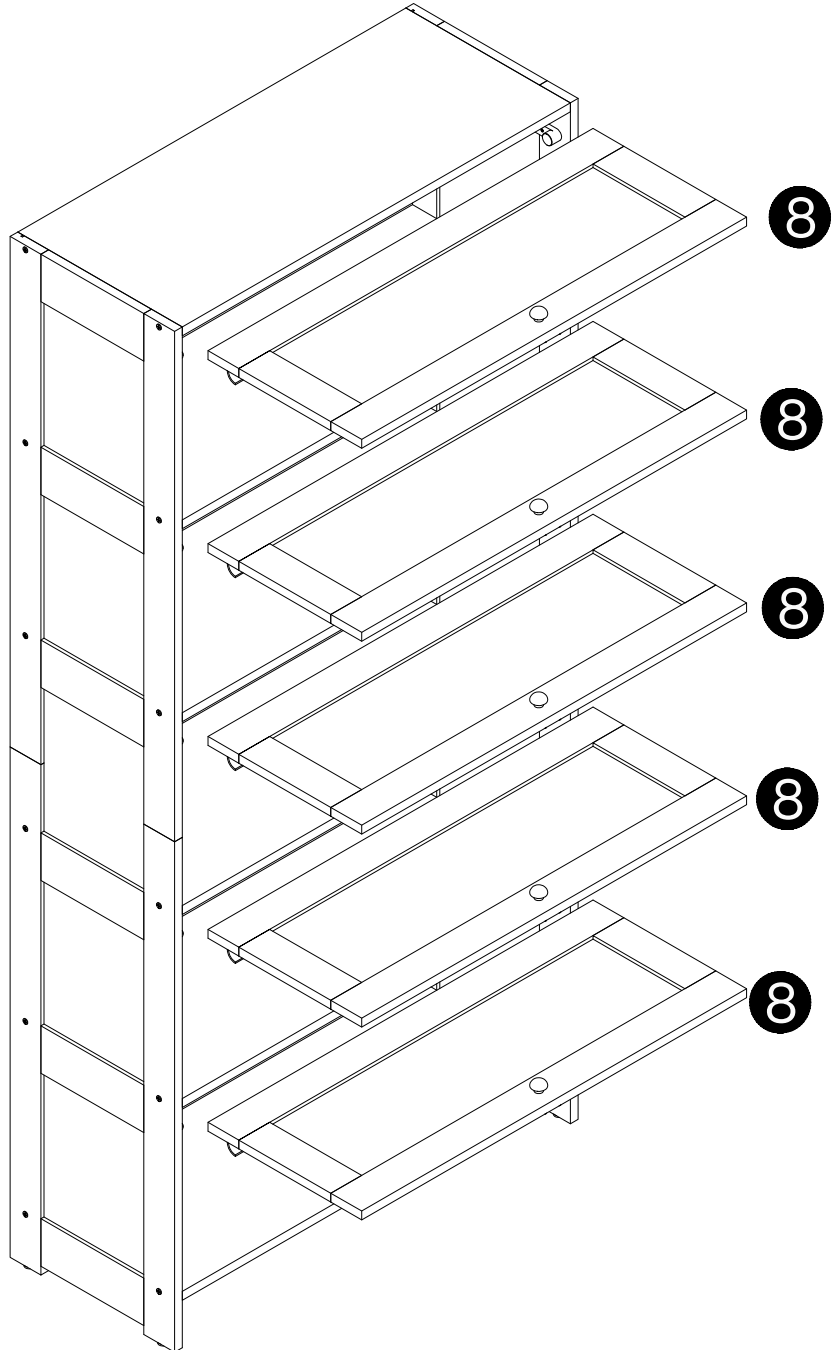
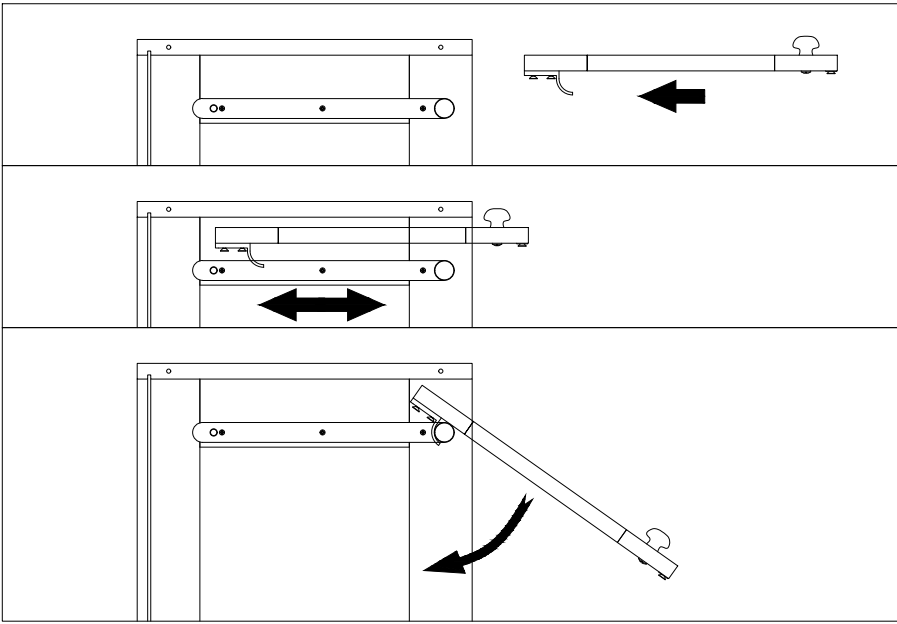
J
1 pcs
O
6 pcs
P
15 pcs

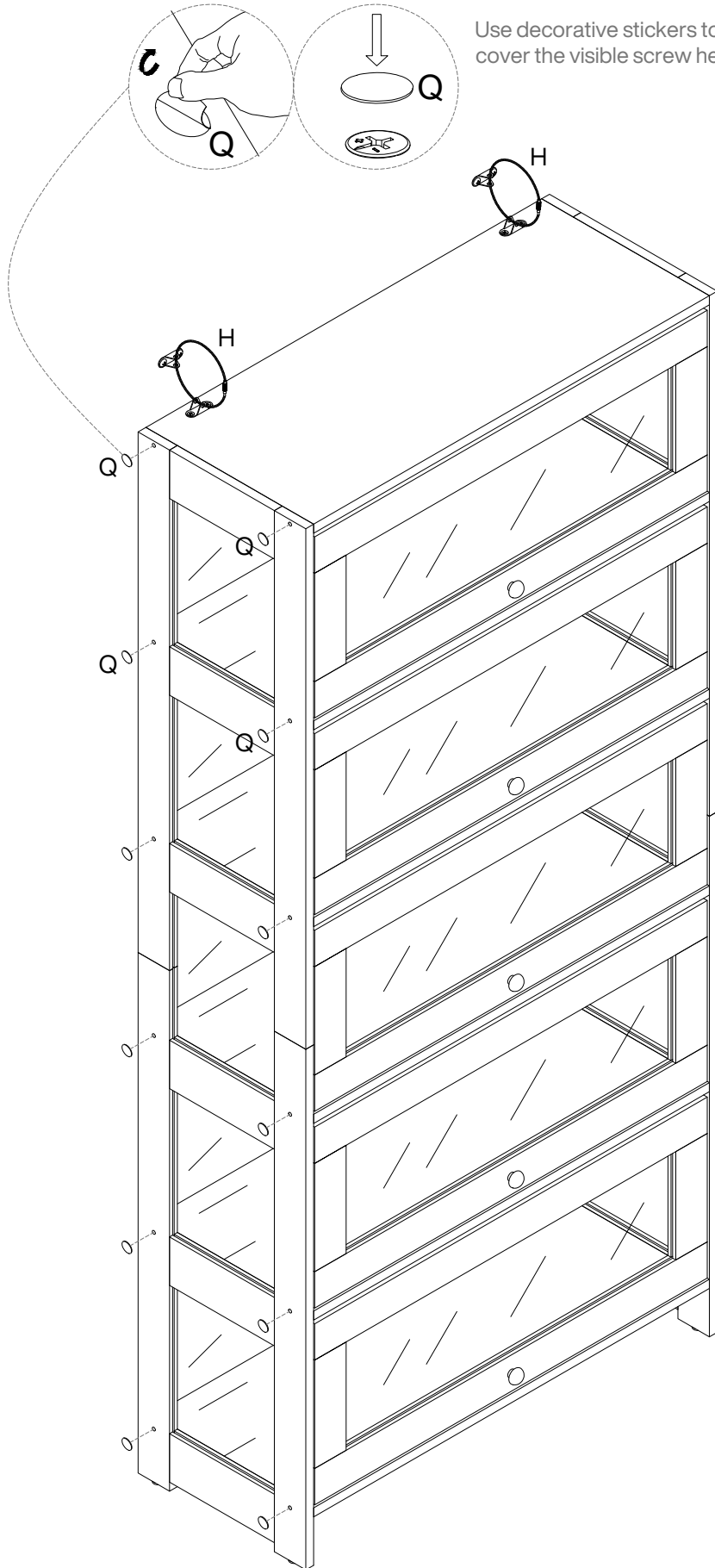


8

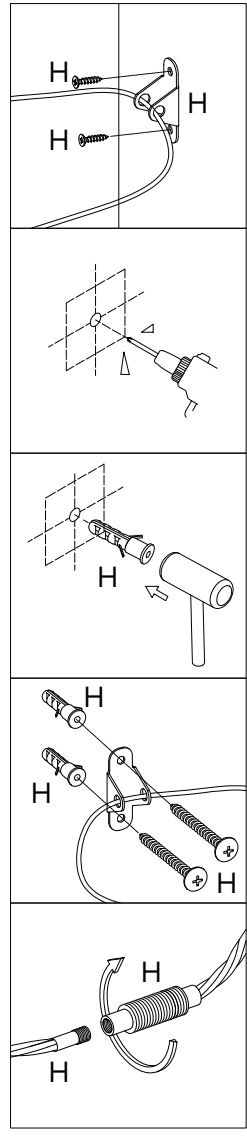
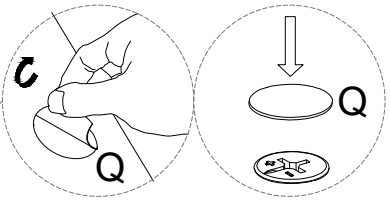
C	D-2	K	L
			
30 pcs	5 pcs	10 pcs	5 pcs

19





Use decorative stickers to cover the visible screw heads



H
2 pcs
Q
28 pcs

Awesome! You did it!

We'd love to see how it looks in your space—share your setup and tag us on

Instagram @spacegeneralnz

Visit us at www.spacegeneral.co.nz.