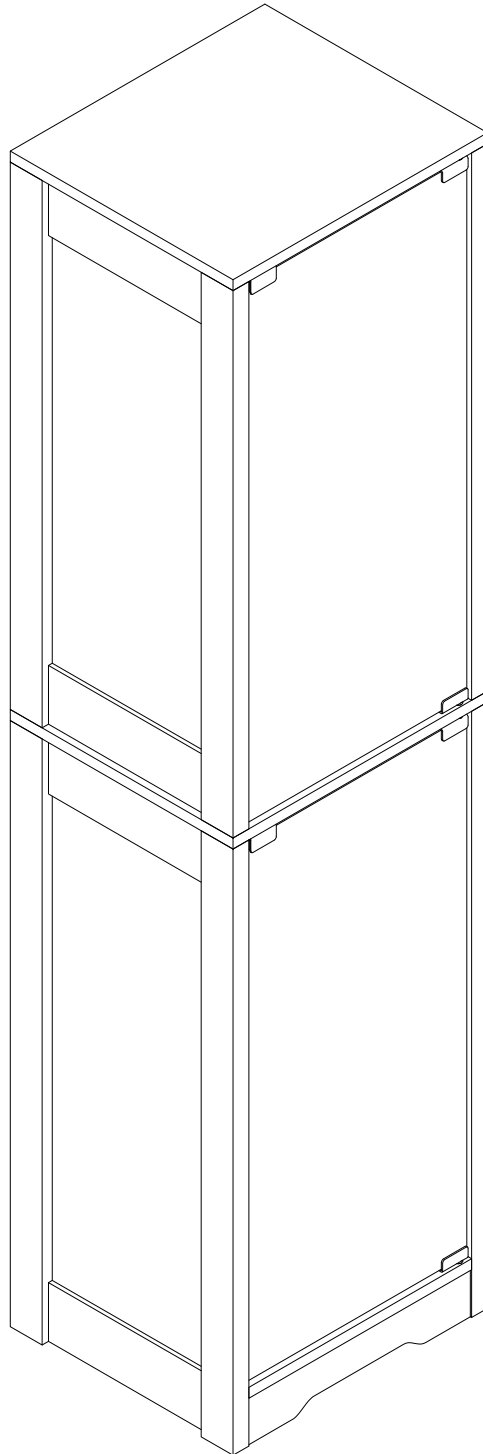


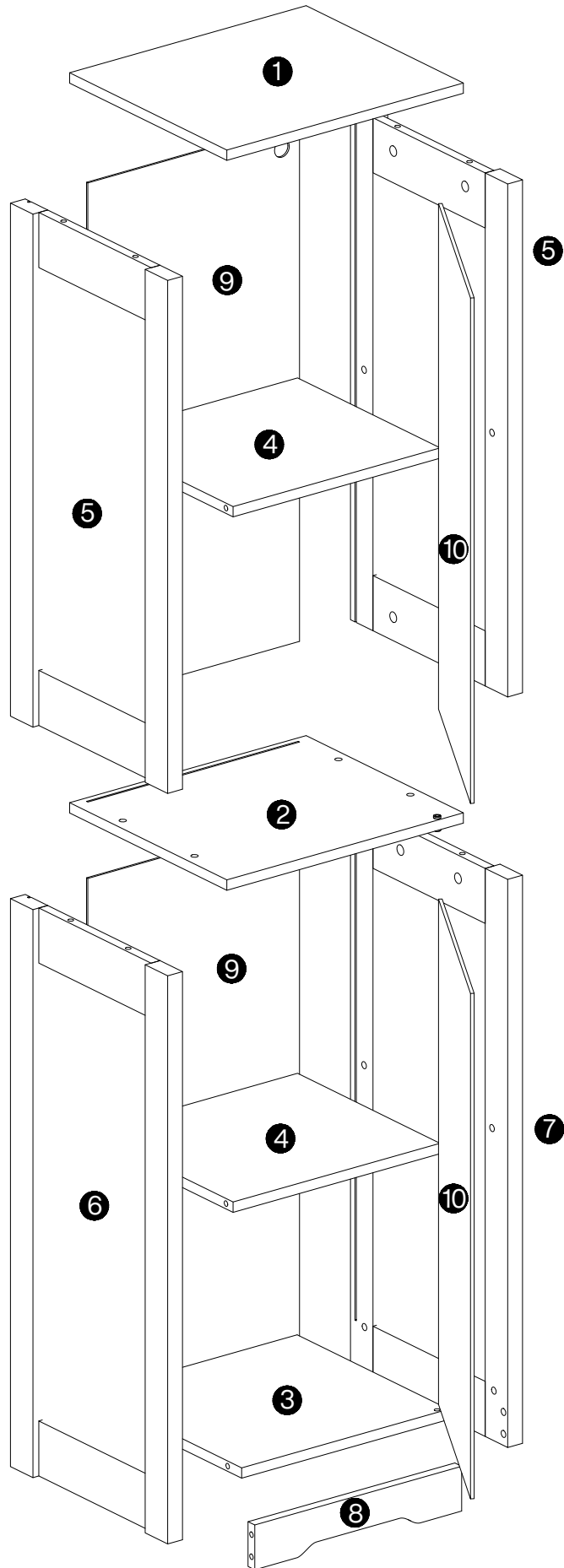
Space General

www.spacegeneral.co.nz

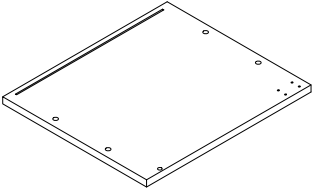
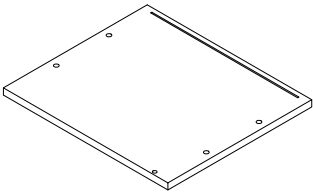
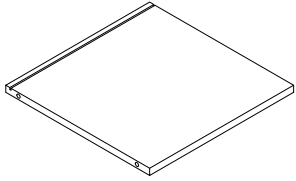
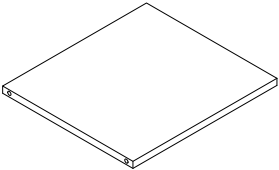
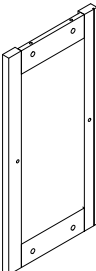


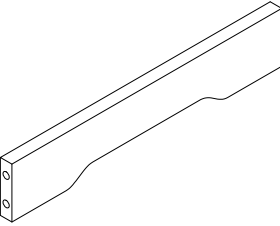
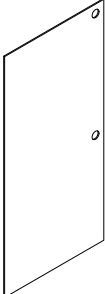



Assembly Instructions **Thank you for your purchase.**

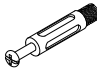

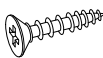
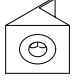
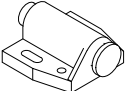
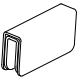
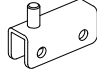
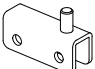
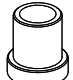

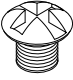
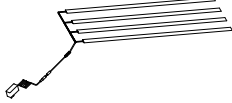
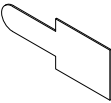

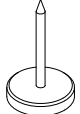

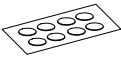
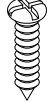
Please follow the instructions below for correct assembly.



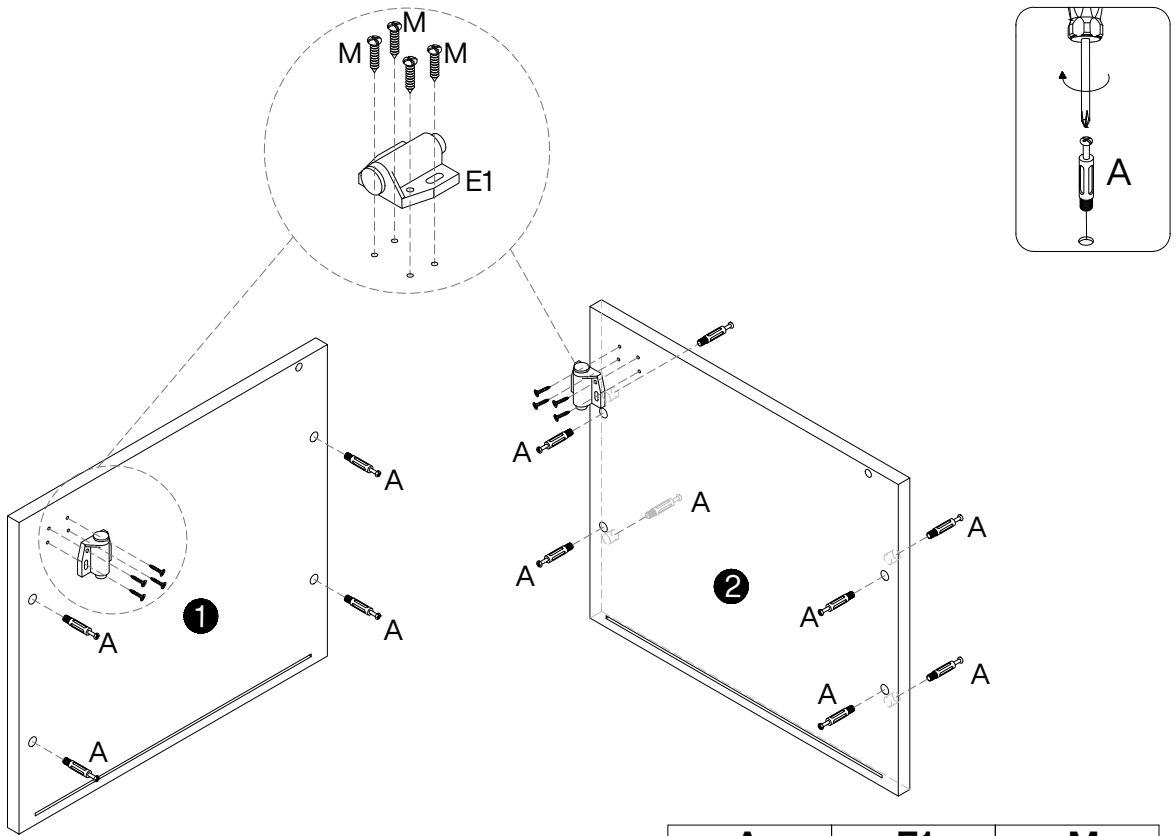
Parts List




<p>1</p>  <p>1pc</p>	<p>2</p>  <p>1pc</p>	<p>3</p>  <p>1pc</p>
<p>4</p>  <p>2 pcs</p>	<p>5</p>  <p>2 pcs</p>	<p>6</p>  <p>1pc</p>
<p>7</p>  <p>1pc</p>	<p>8</p>  <p>1pc</p>	<p>9</p>  <p>2 pcs</p>
<p>10</p>  <p>2 pcs</p>		

Hardware List

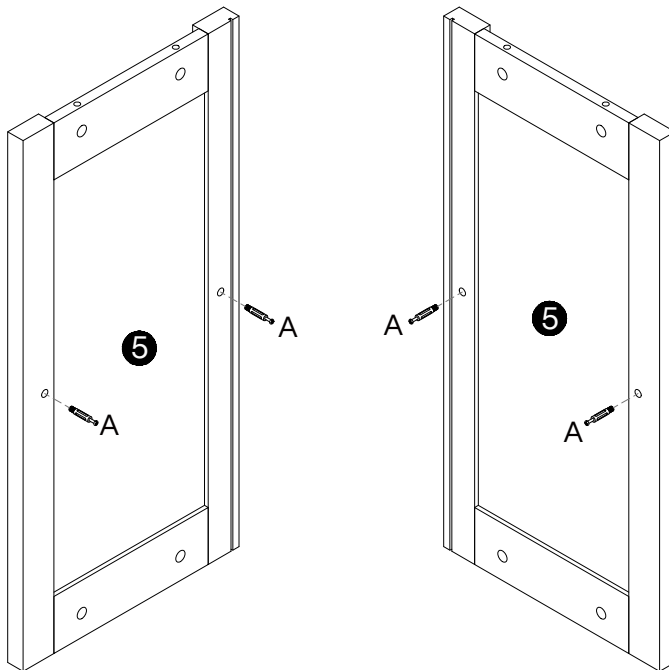
A	B	C	D	E1
		 M3.5x14 mm		
28 pcs	28 pcs	12 pcs	12 pcs	2 pcs
E2	E3	E4	E5	E6
				
2 pcs	2 pcs	2 pcs	4 pcs	8 pcs
E7	F	G	H	J
				
8 pcs	1 pcs	5 pcs	2 pcs	4 pcs
K	L	M		
		 M3x16 mm		
8 pcs	8 pcs	8 pcs		


1



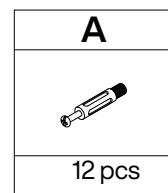
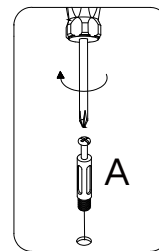
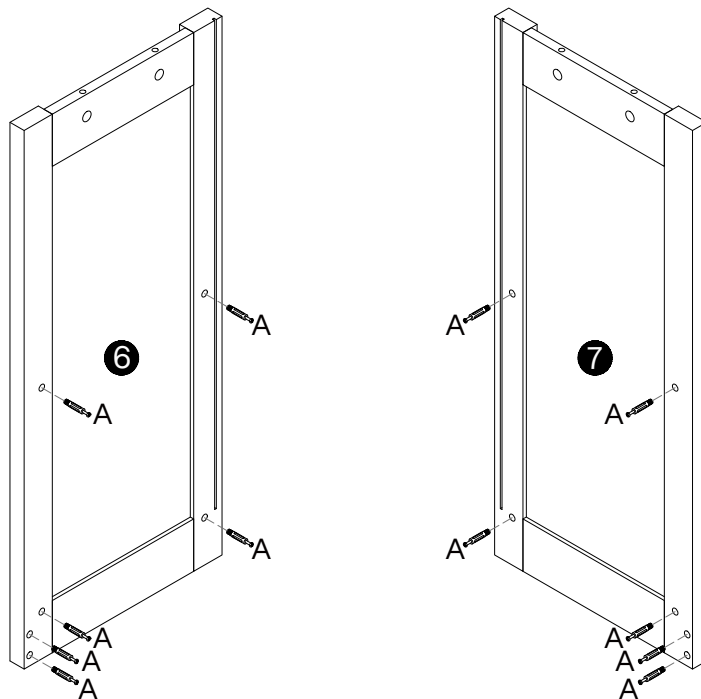
A	E1	M
		
12 pcs	2 pcs	8 pcs

2

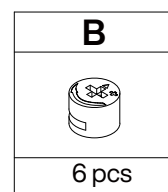
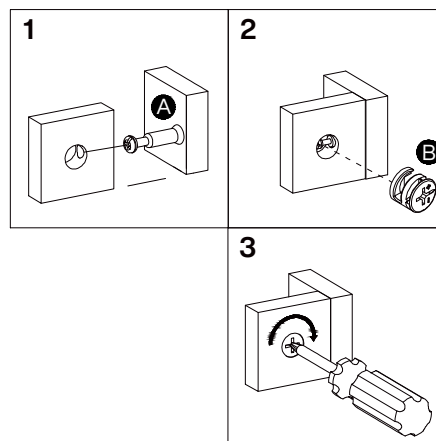
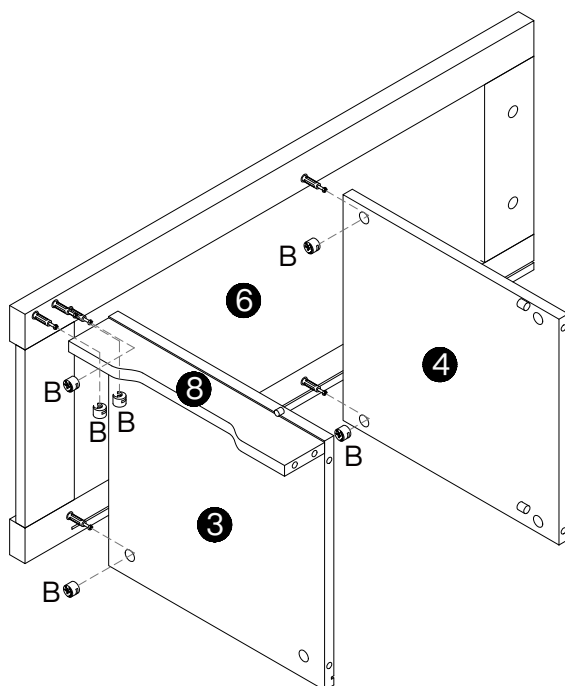


A

4 pcs

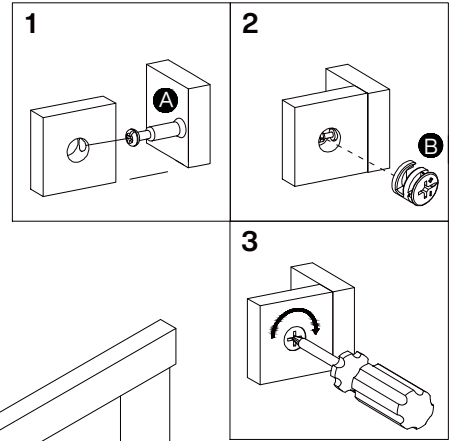
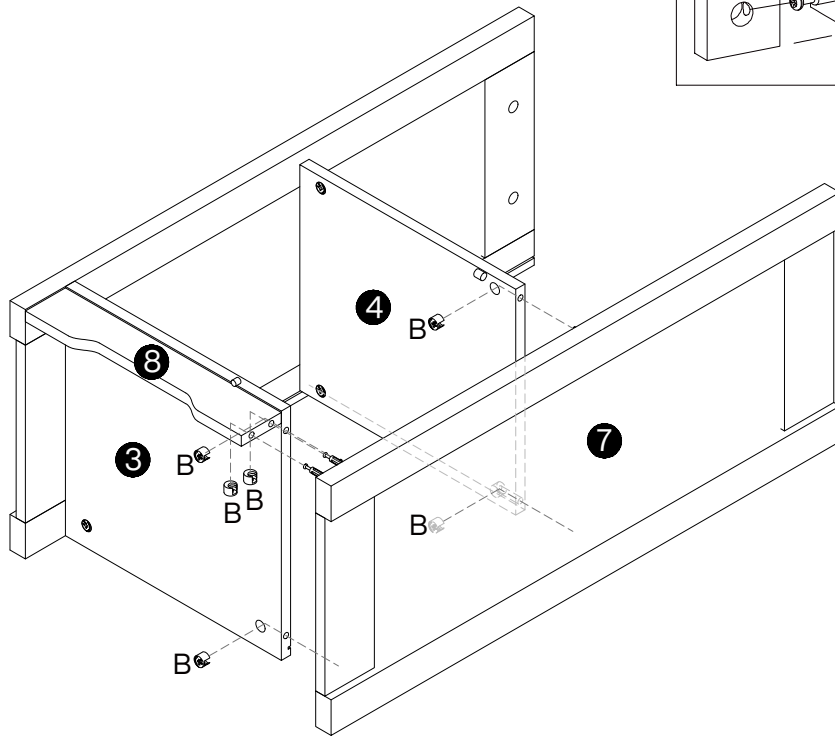
3




4

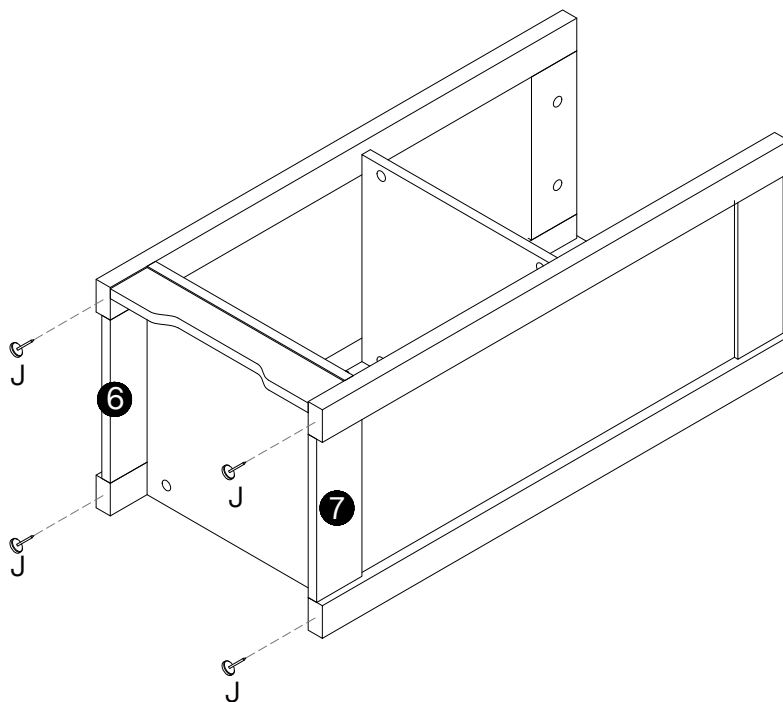


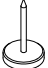
5



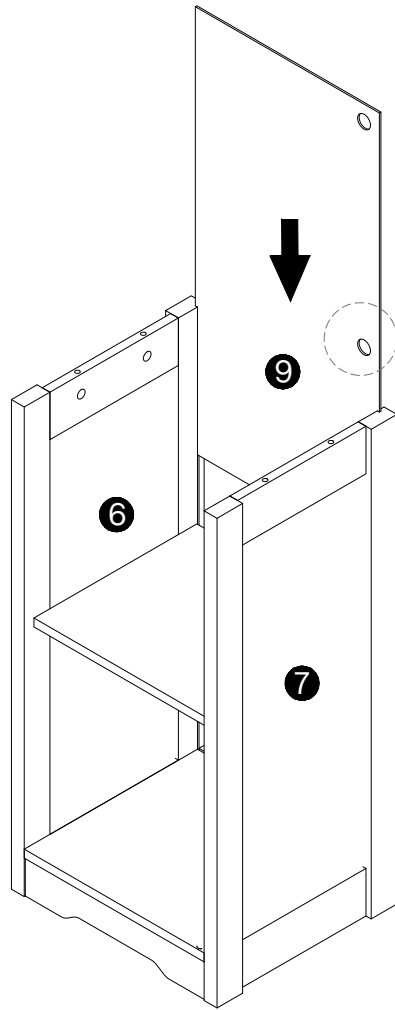
B

6 pcs

6

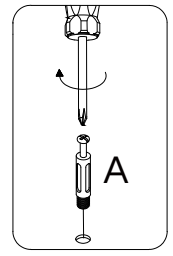


J

4 pcs

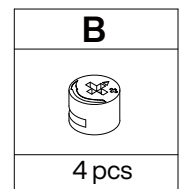
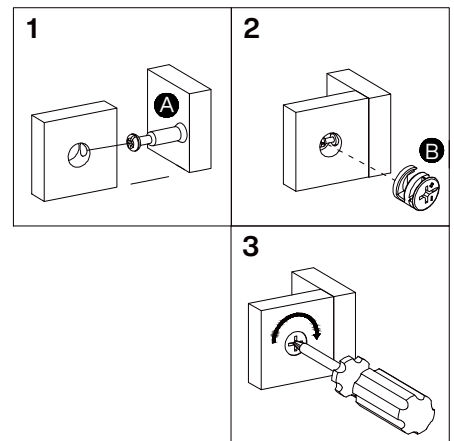
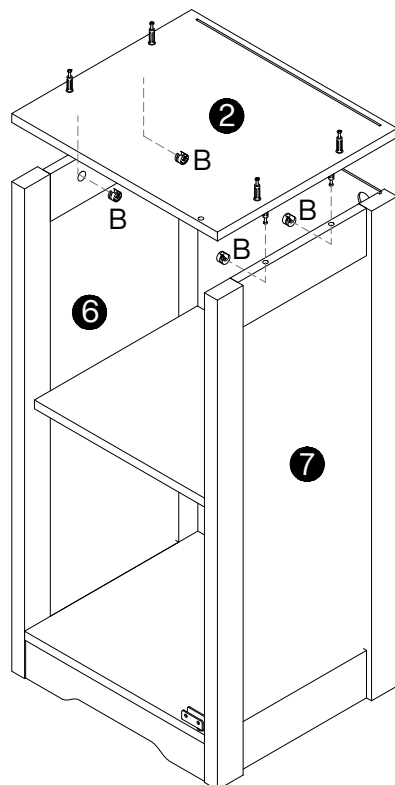
7



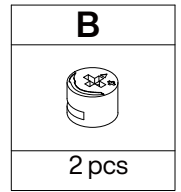
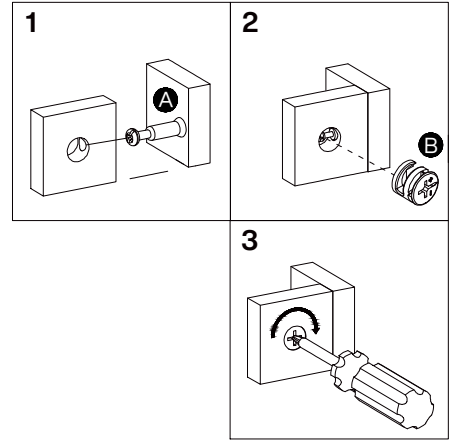
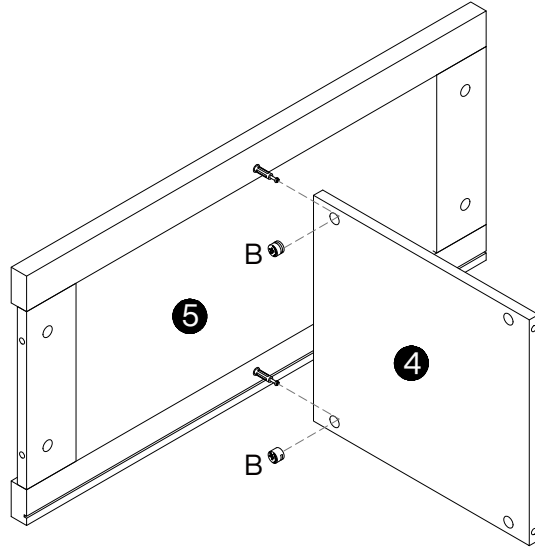
Pay attention to the position of the wiring holes



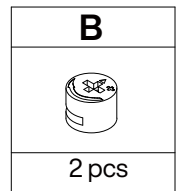
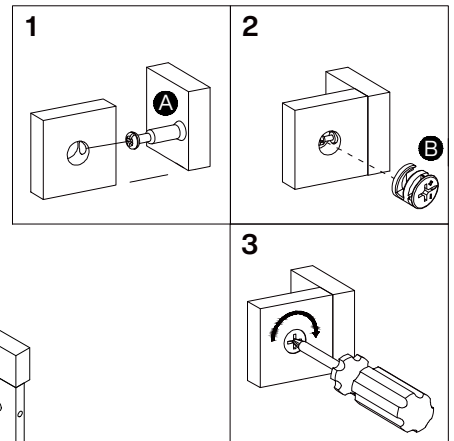
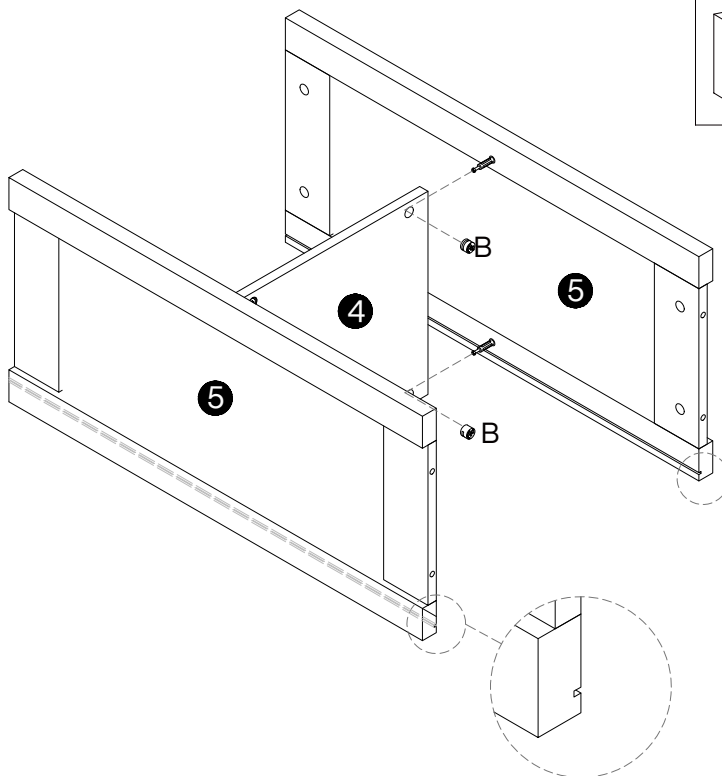
8

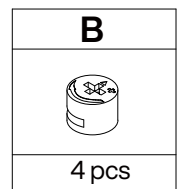
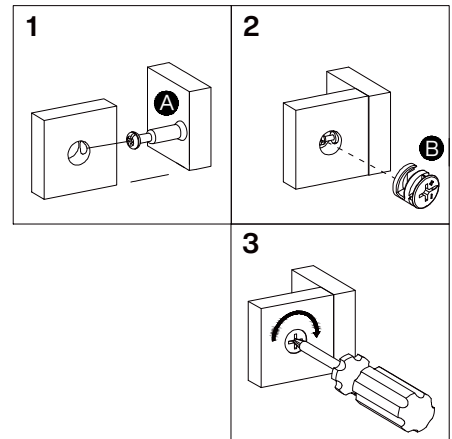
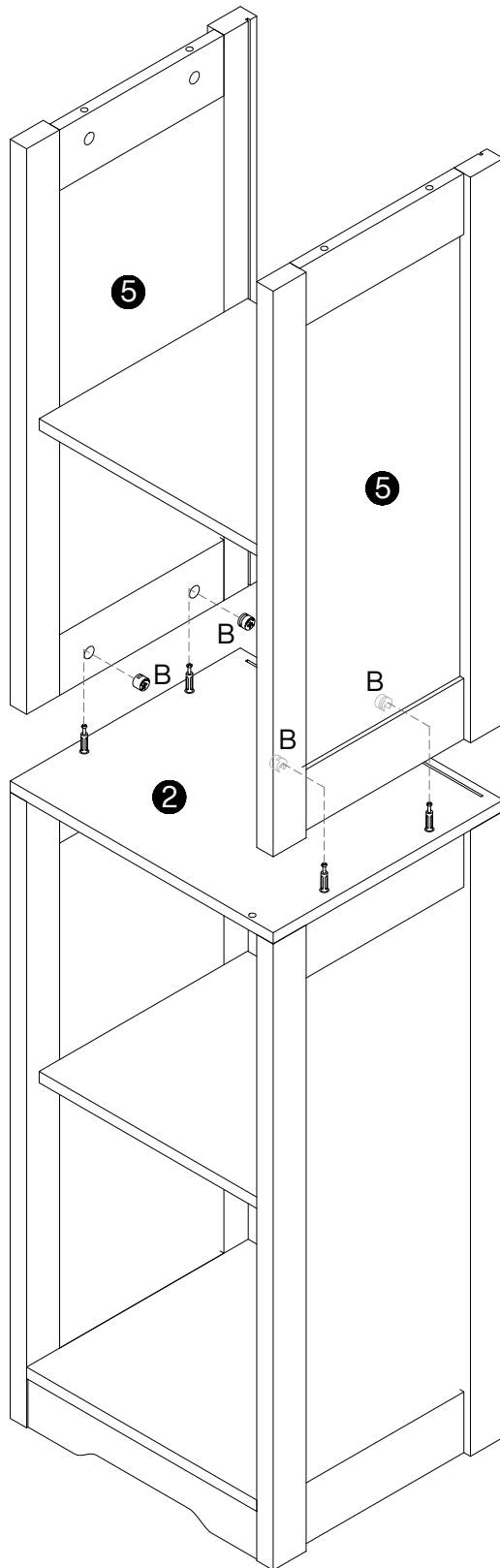


9

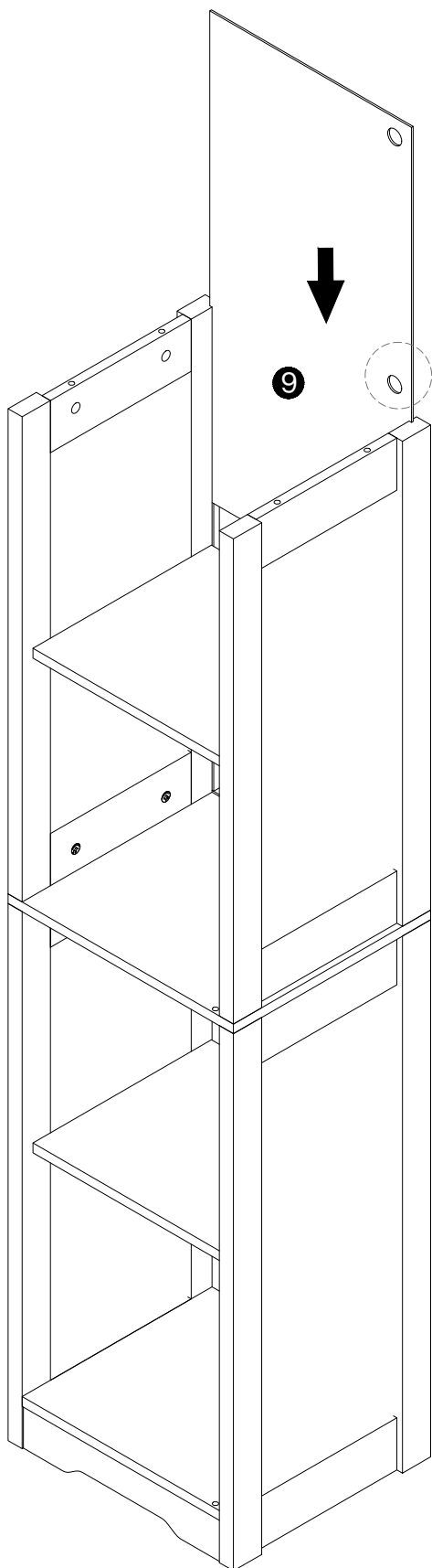


10



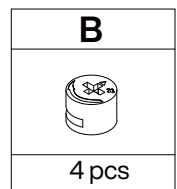
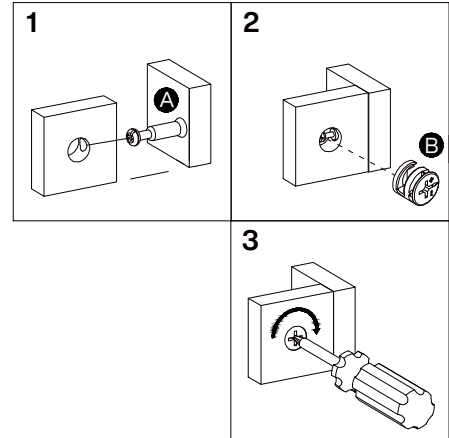
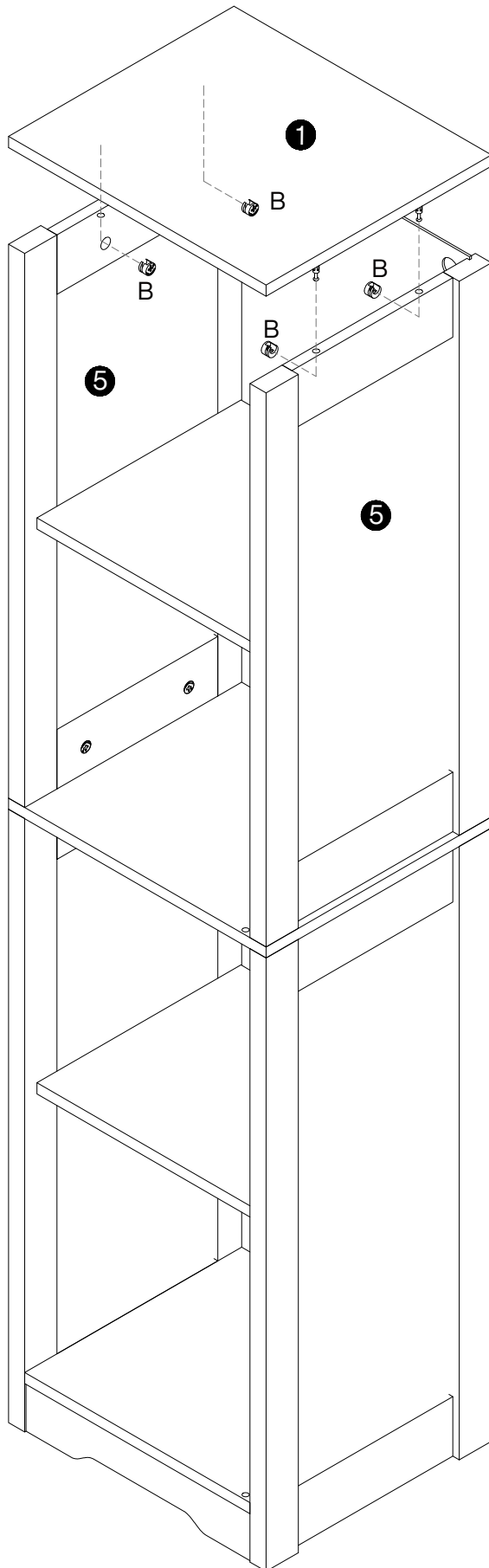


12

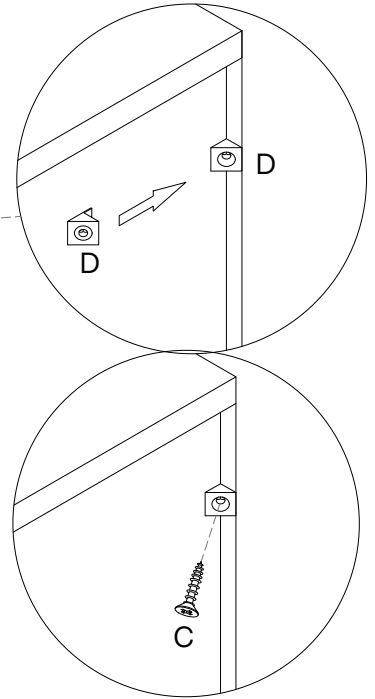
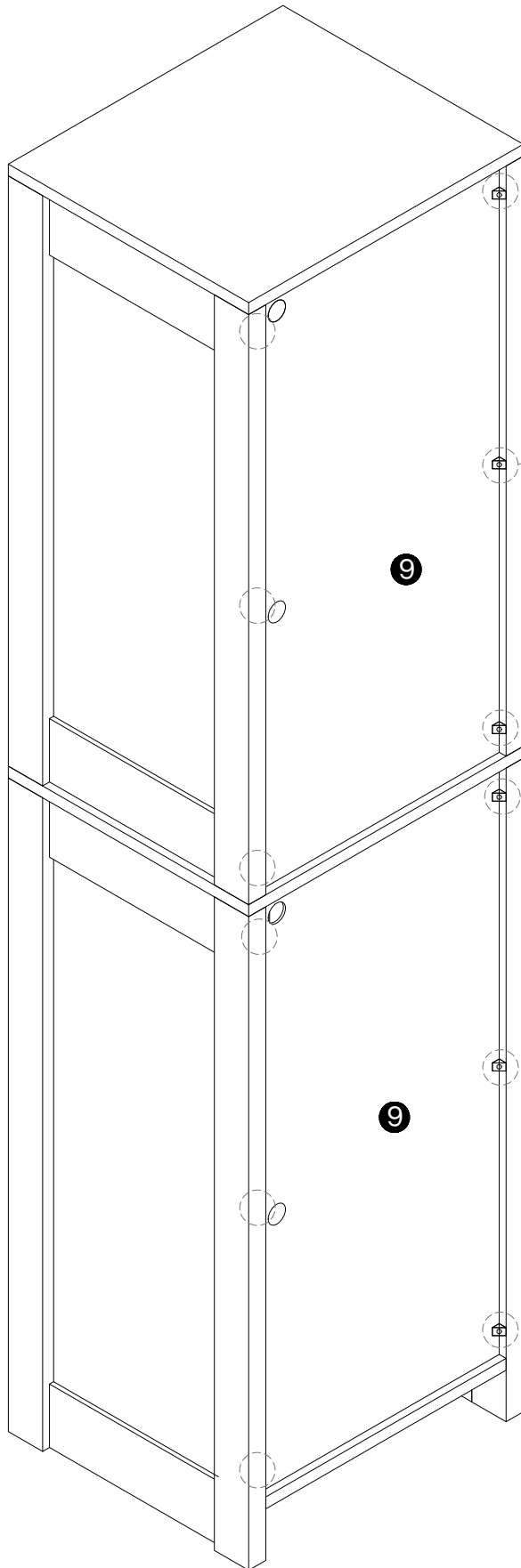


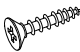

Pay attention to the position of the wiring holes

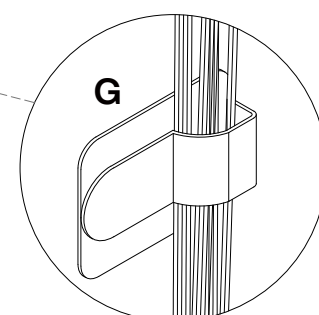
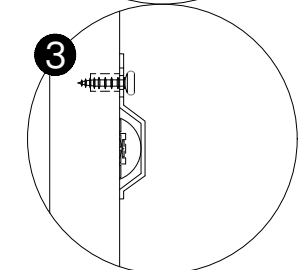
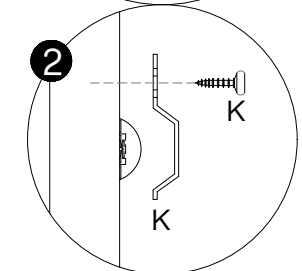
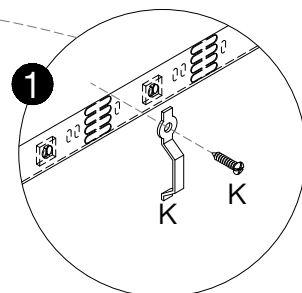
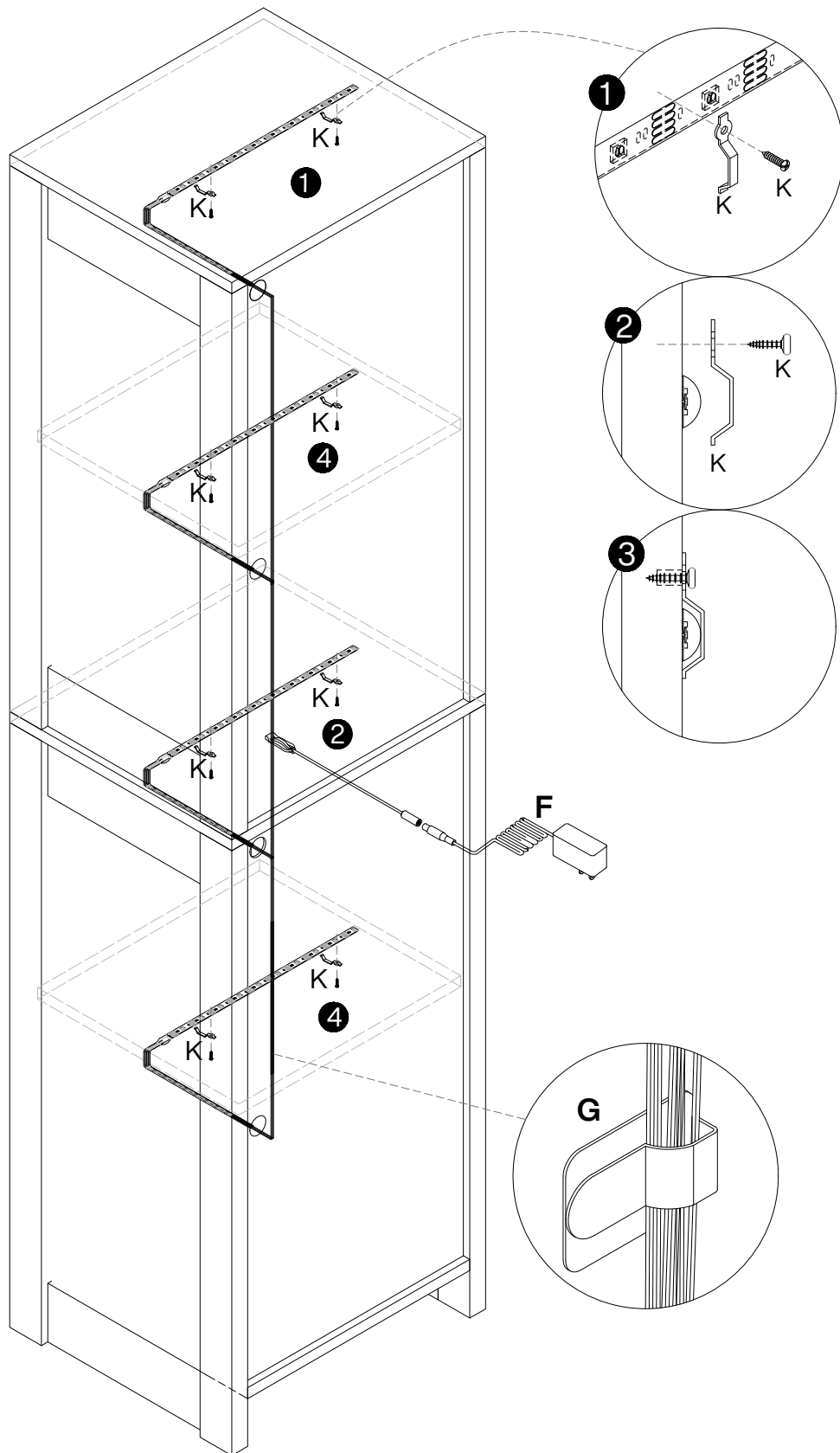
13

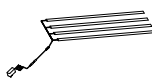




14



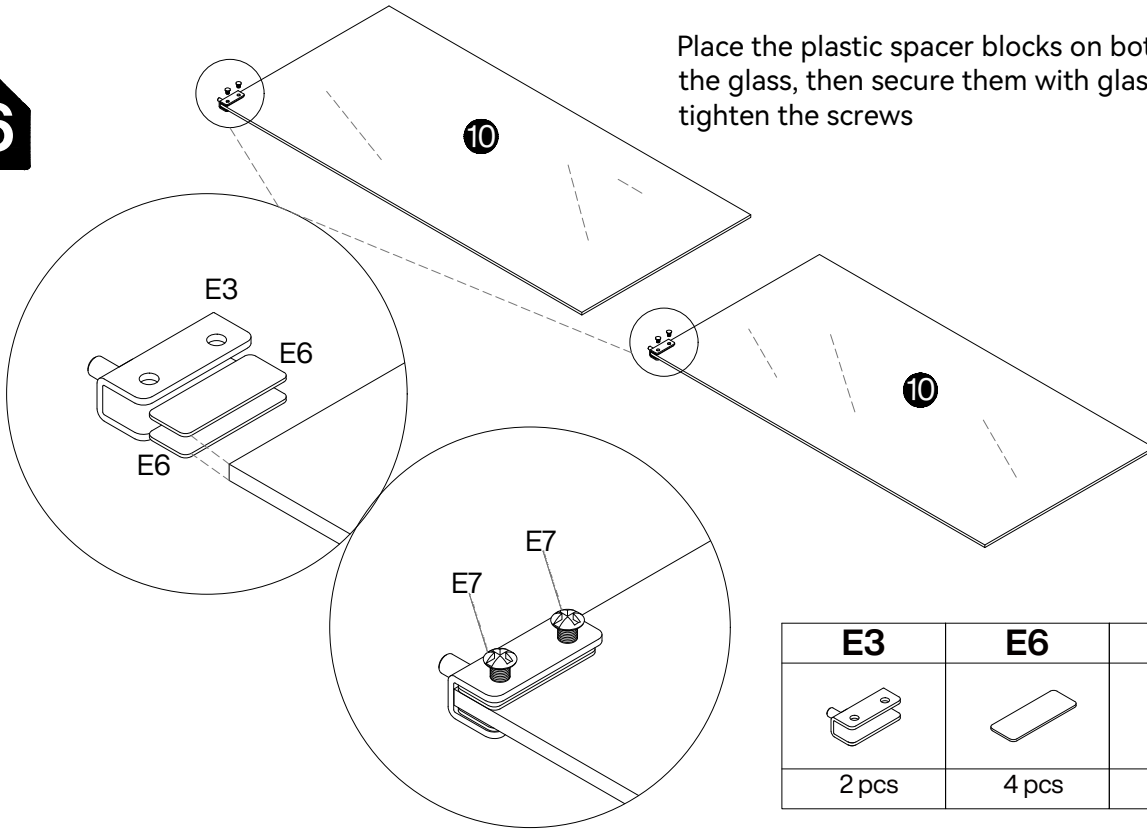
C	D
	
12 pcs	12 pcs

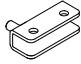




F

1 pcs
G

5 pcs
K

8 pcs

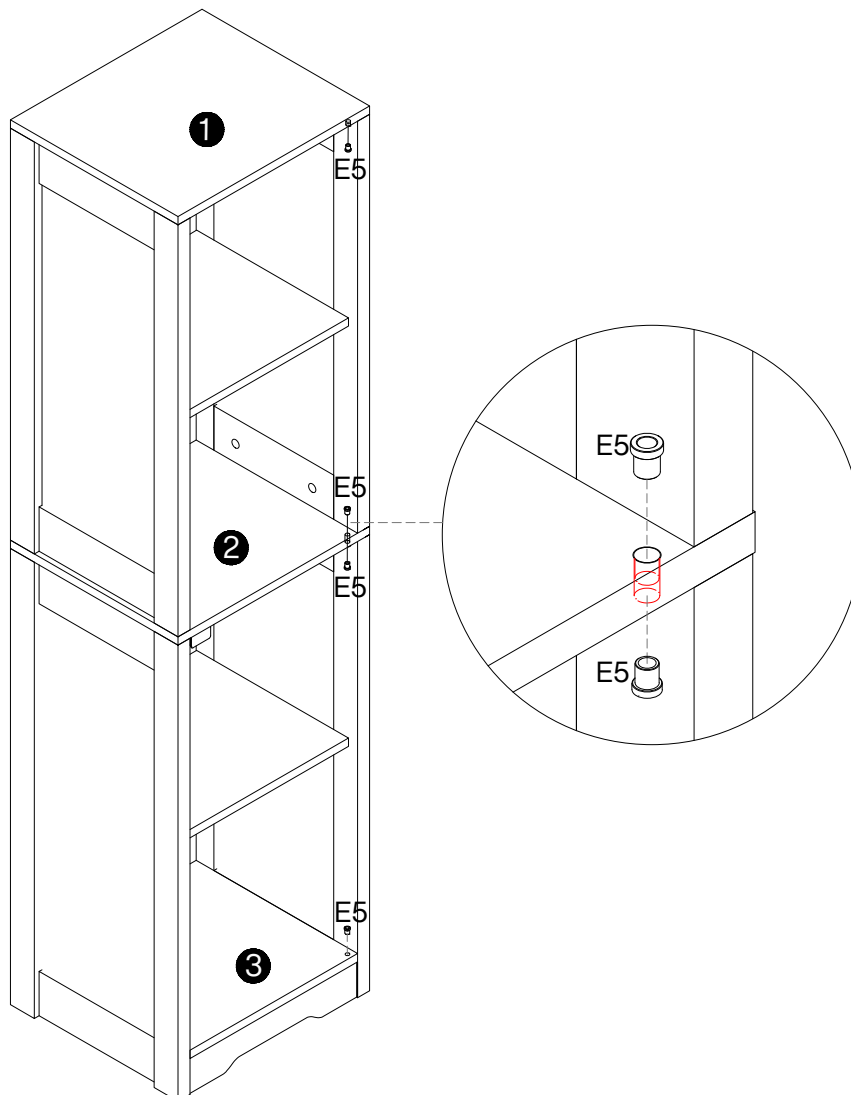
1. Feed the LED strip light through the rear opening.
2. Peel off its adhesive backing and apply it to the bottom surface.
3. Reinforce the strip with Component K.
4. Use Component G to organize the messy wire harness and secure it to the back.


16

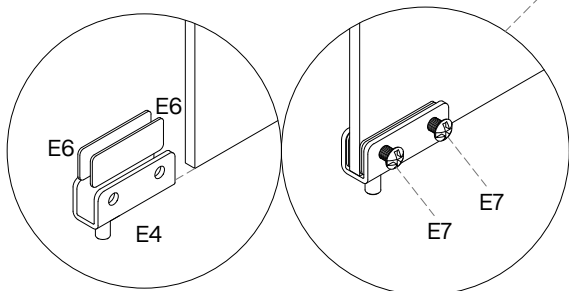
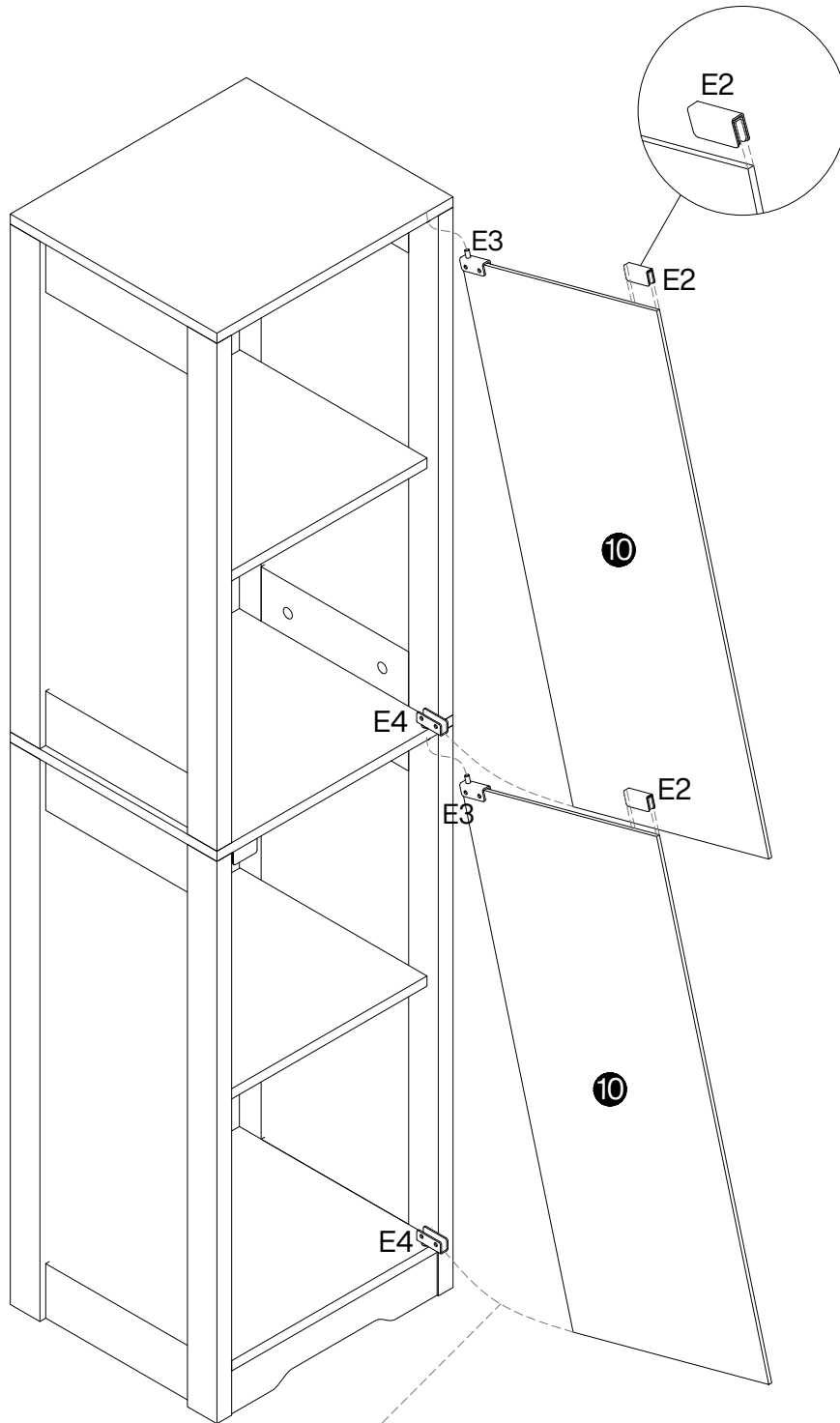


E3	E6	E7
		
2 pcs	4 pcs	4 pcs

17



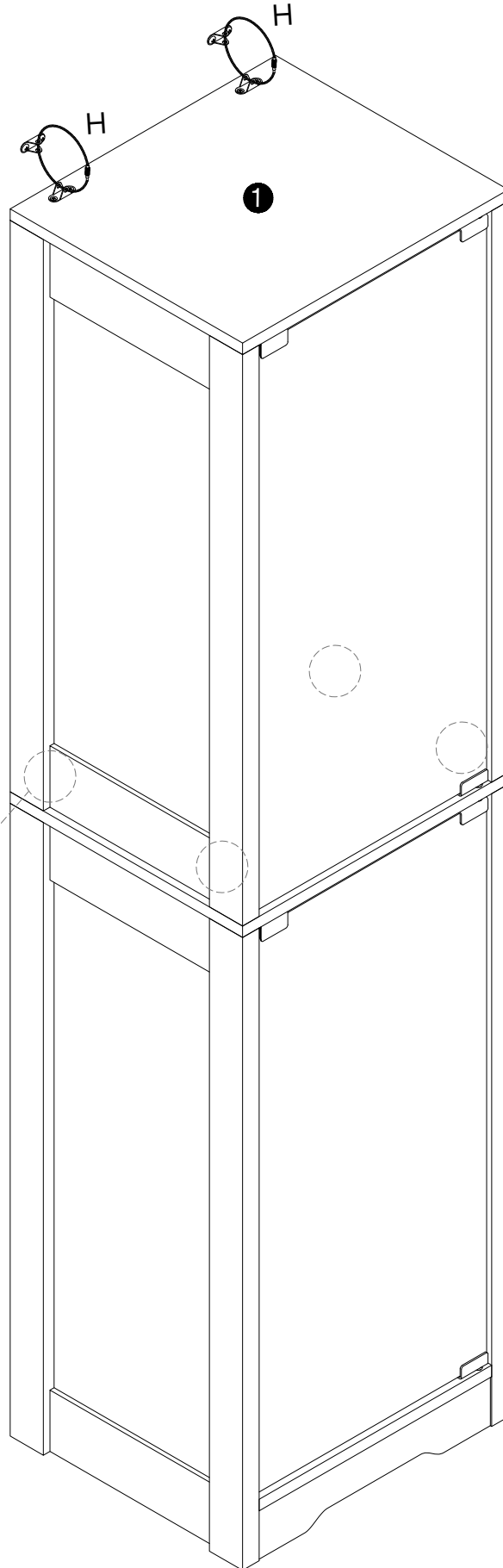
E5

4 pcs



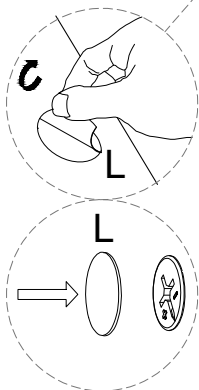
Place the plastic spacer blocks on both sides of the glass, then secure them with glass clamps and tighten the screws

E2	E4	E6	E7
2 pcs	2 pcs	4 pcs	4 pcs

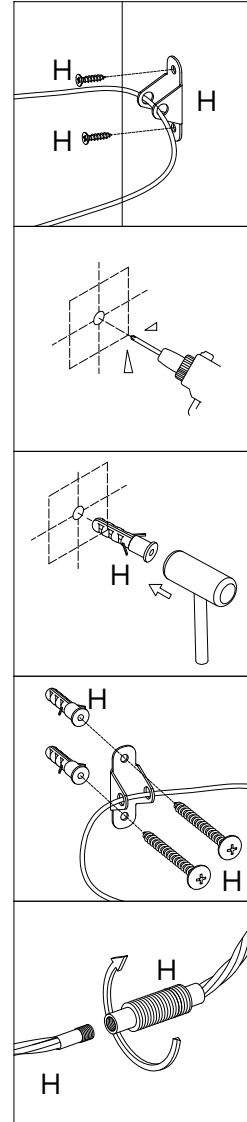
19


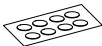


Use the H accessory to secure the cabinet to the wall to prevent tipping



Use decorative stickers to cover the visible screw heads



H

2 pcs
L

8 pcs

Awesome! You did it!

We'd love to see how it looks in your space—share your setup and tag us on

Instagram @spacegeneralnz

Visit us at www.spacegeneral.co.nz.