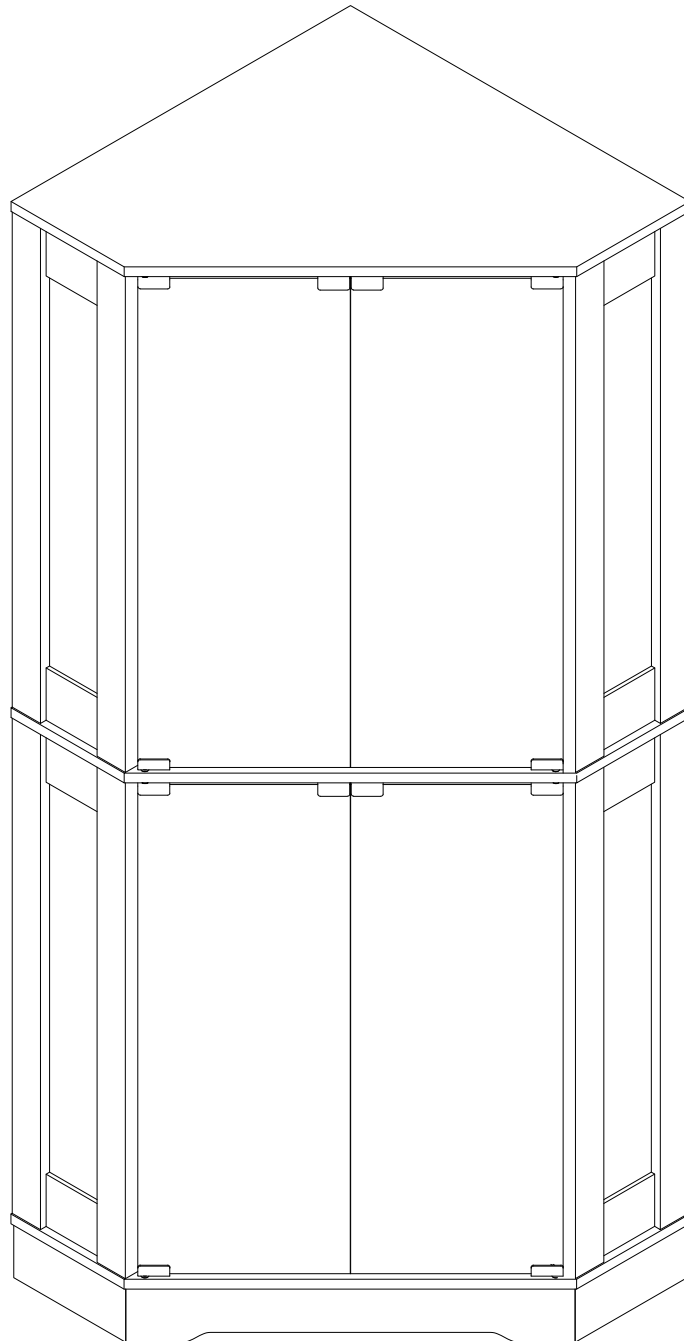


Space General

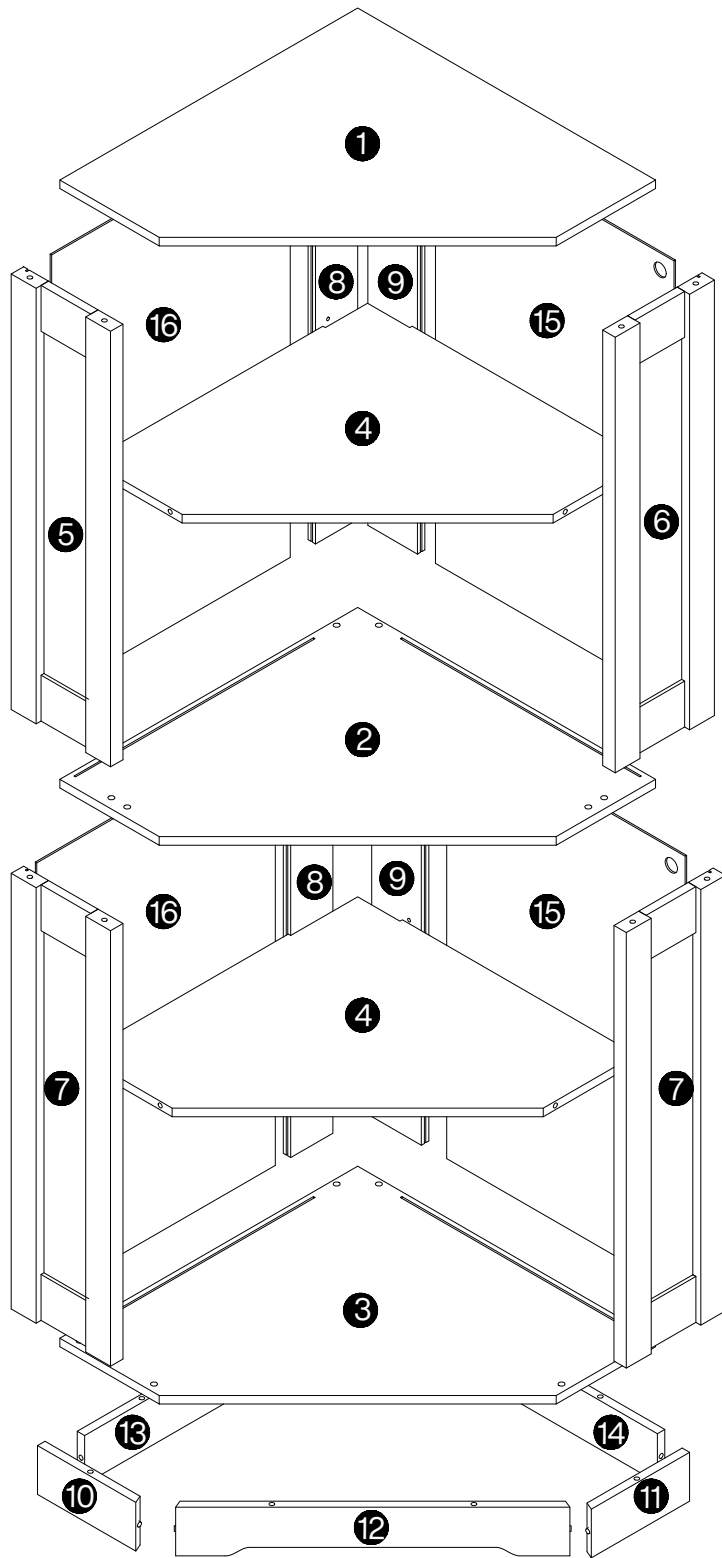
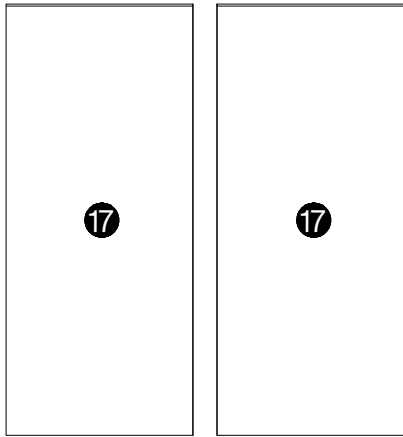
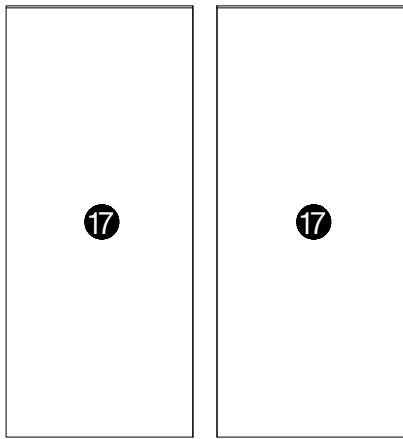
www.spacegeneral.co.nz



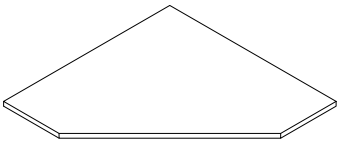
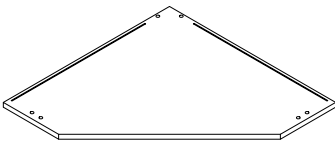
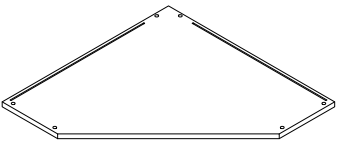
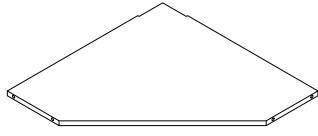
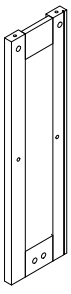
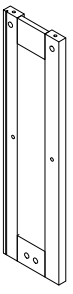
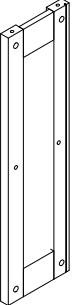


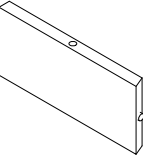
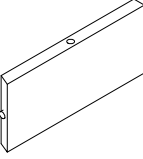

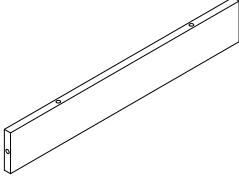
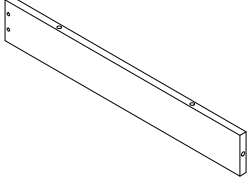
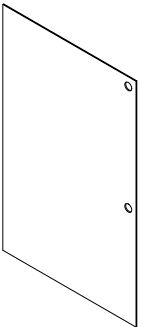
Assembly Instructions

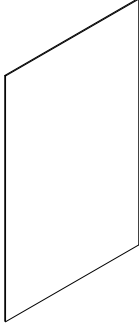

Thank you for your purchase.

Please follow the instructions below for correct assembly.


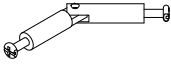


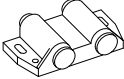
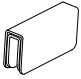
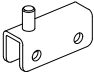
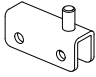
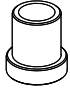


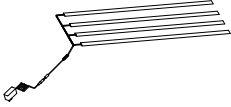
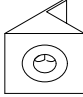
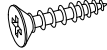
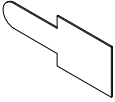

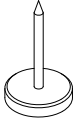

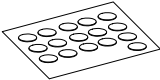
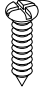


Parts List

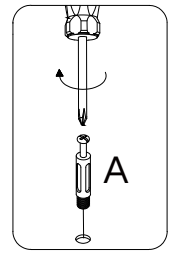
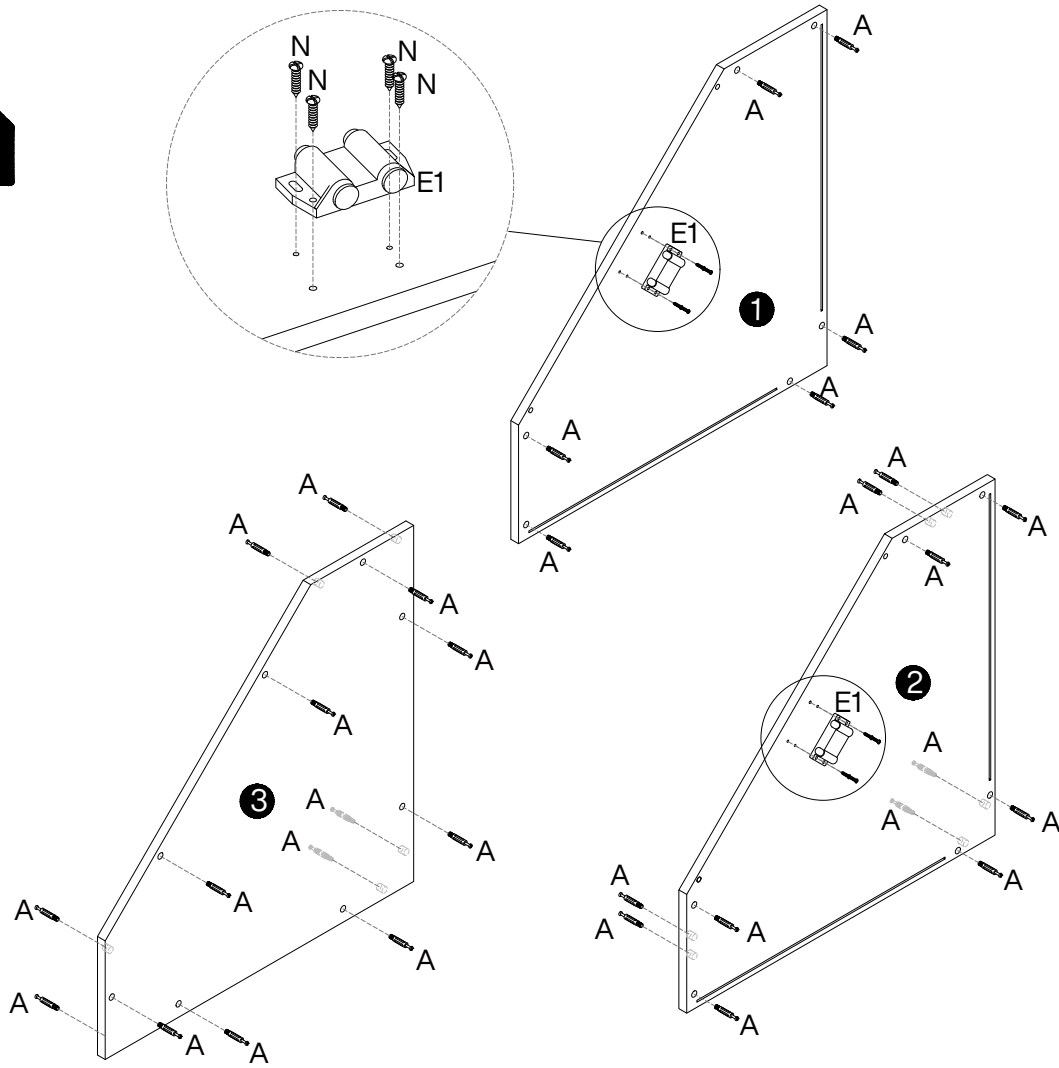
<p>1</p>  <p>1pc</p>	<p>2</p>  <p>1pc</p>	<p>3</p>  <p>1pc</p>
<p>4</p>  <p>2 pcs</p>	<p>5</p>  <p>1pc</p>	<p>6</p>  <p>1pc</p>
<p>7</p>  <p>2 pcs</p>	<p>8</p>  <p>2 pcs</p>	<p>9</p>  <p>2 pcs</p>
<p>10</p>  <p>1pc</p>	<p>11</p>  <p>1pc</p>	<p>12</p>  <p>1pc</p>
<p>13</p>  <p>1pc</p>	<p>14</p>  <p>1pc</p>	<p>15</p>  <p>2 pcs</p>


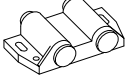

16	17
	
2 pcs	4 pcs

Hardware List

A	B	C	D	E1
			 M5x40 mm	
42 pcs	2 pcs	46 pcs	10 pcs	2 pcs
E2	E3	E4	E5	E6
				
4 pcs	4 pcs	4 pcs	8 pcs	16 pcs
E7	F	G	H	J
			 M3.5x14 mm	
16 pcs	1 pcs	24 pcs	24 pcs	5 pcs
K	L	L	M	N
				 M3x16 mm
2 pcs	6 pcs	12 pcs	16 pcs	8 pcs

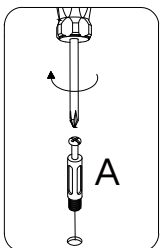
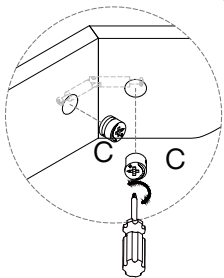
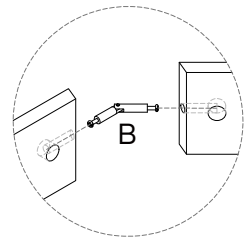
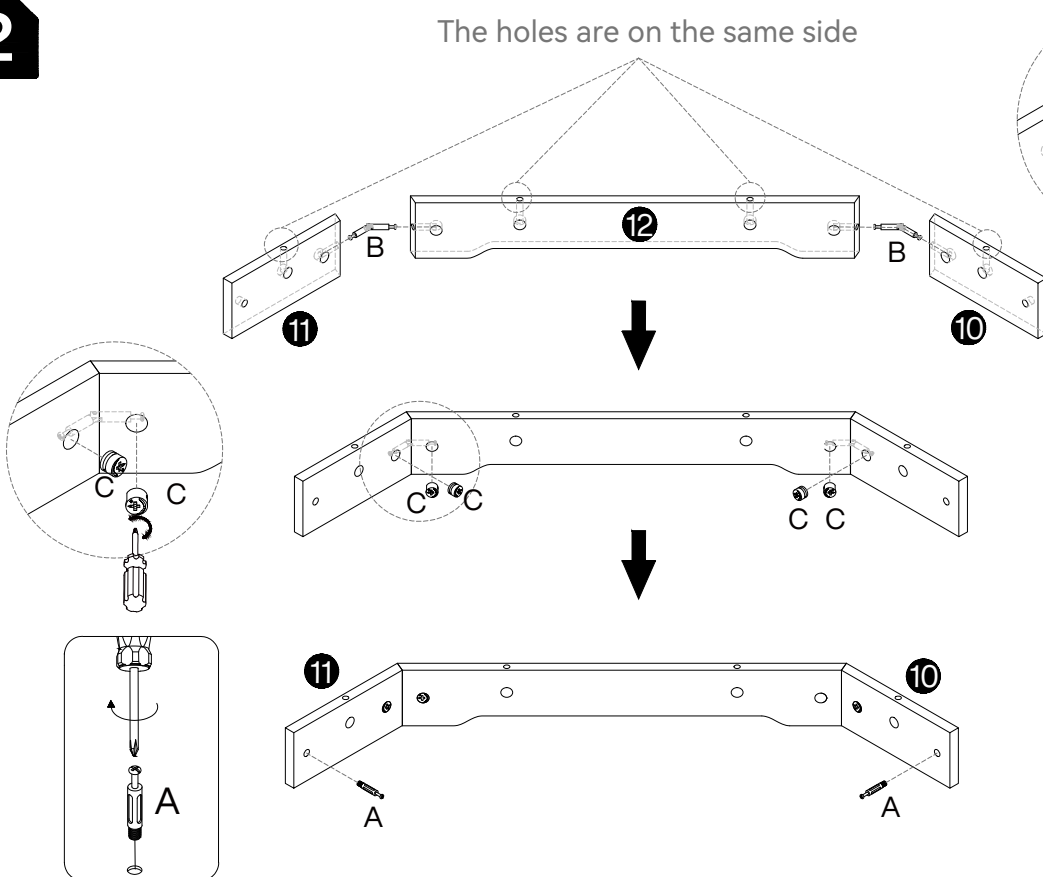
1


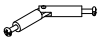



A

32 pcs
E1

2 pcs
N

8 pcs

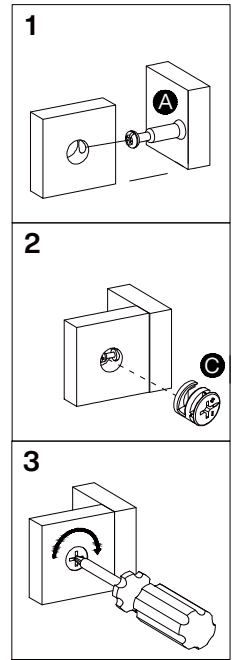
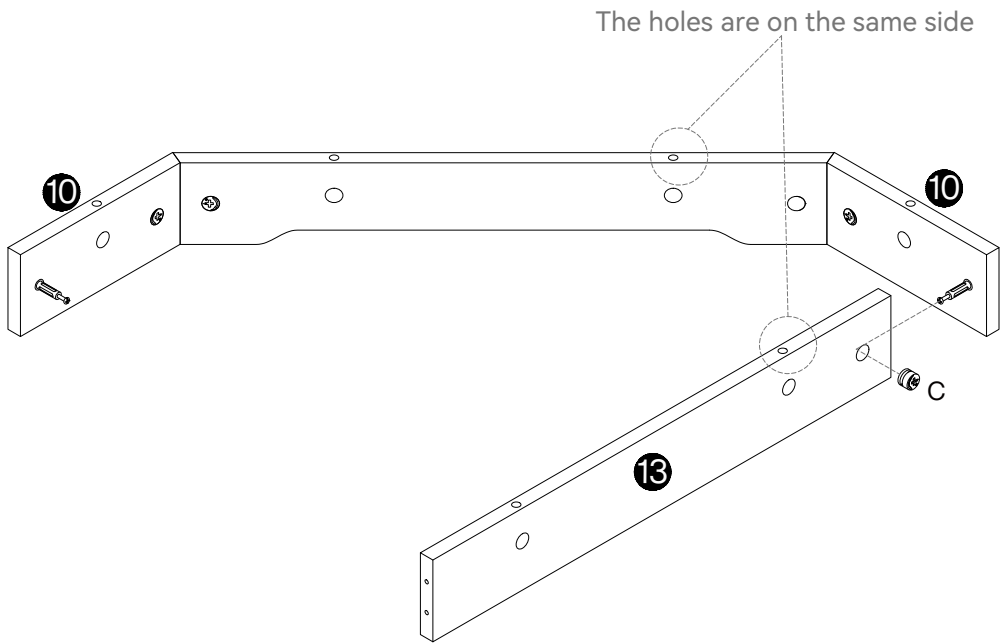
2


The holes are on the same side



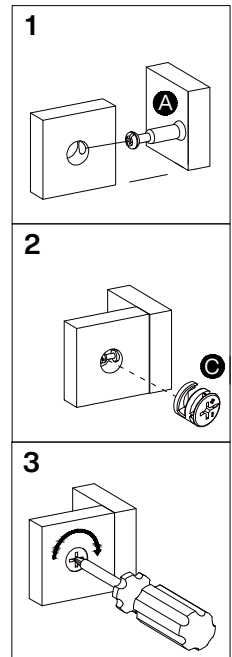
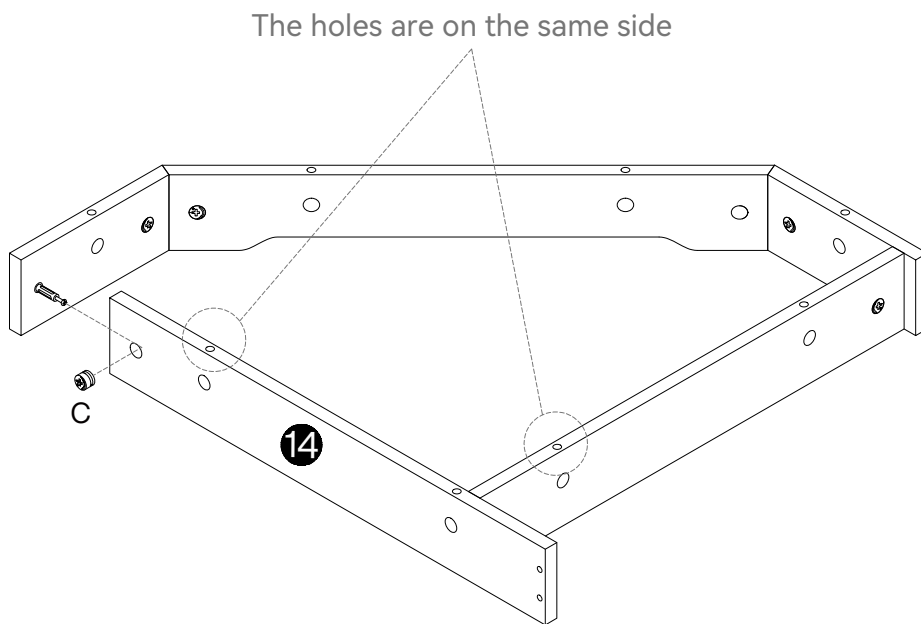
A

2 pcs
B

2 pcs
C

4 pcs


3



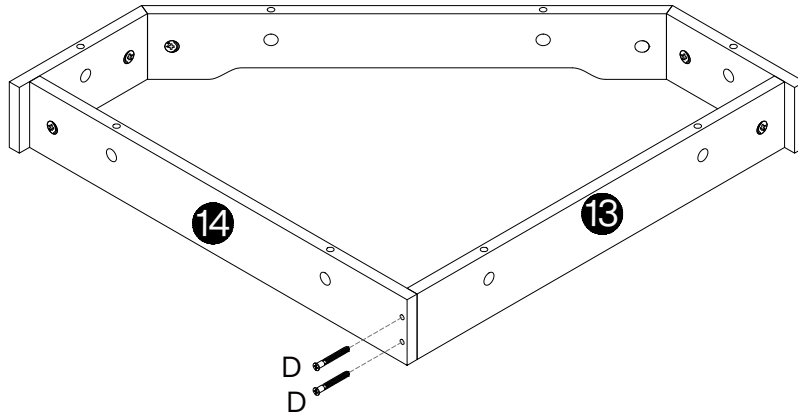
C

1pc


4



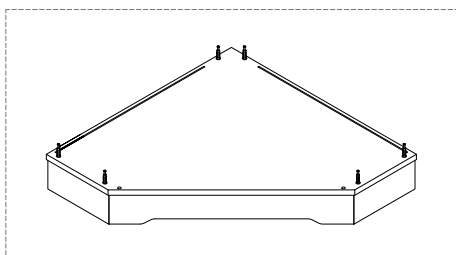
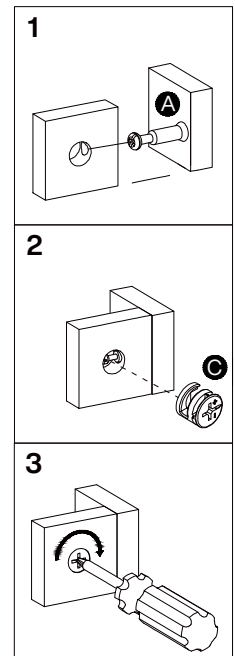
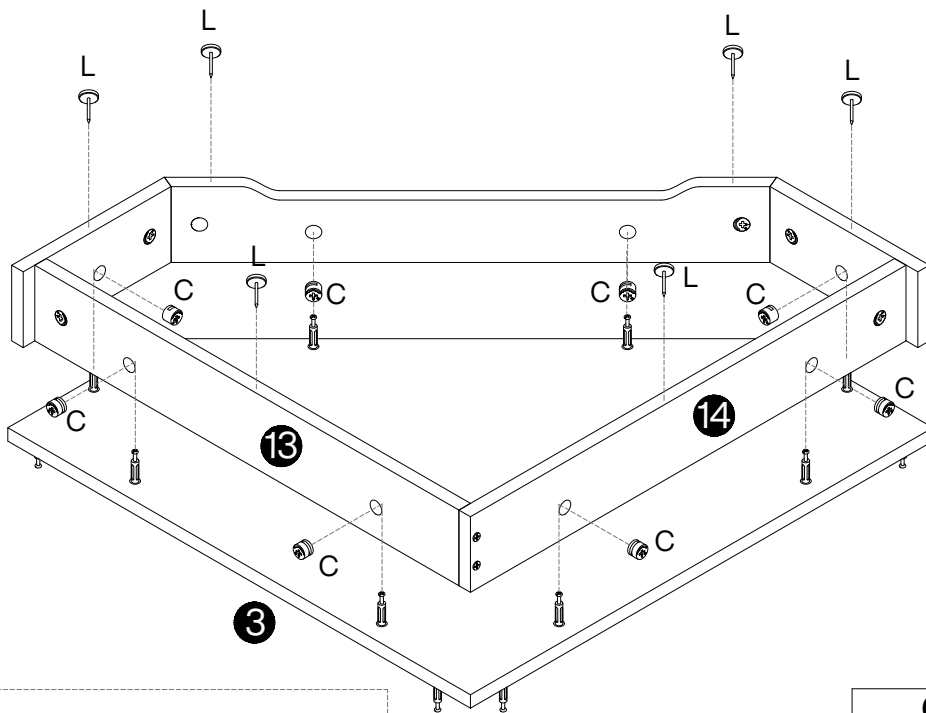
C

1pc



5



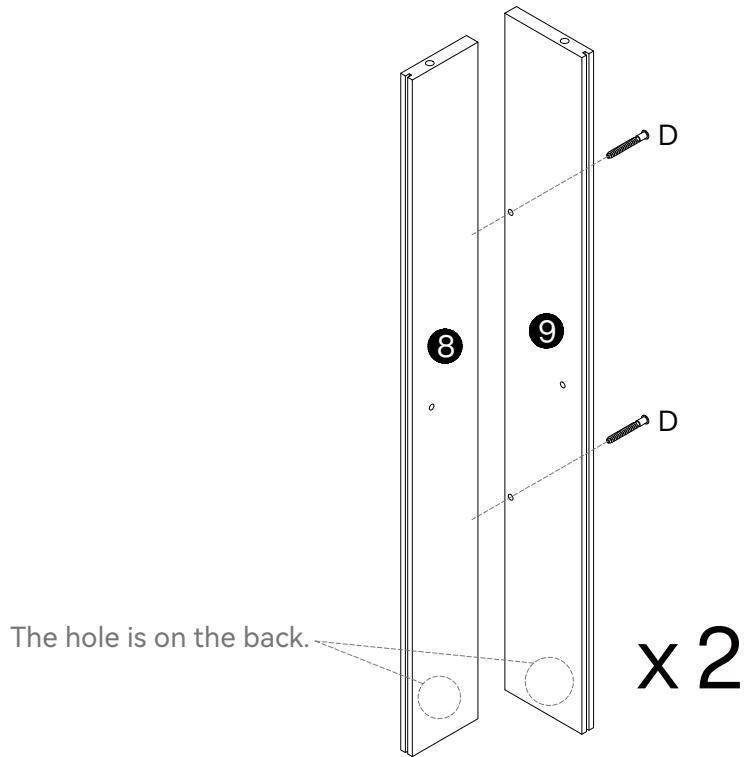
D

2 pcs


6



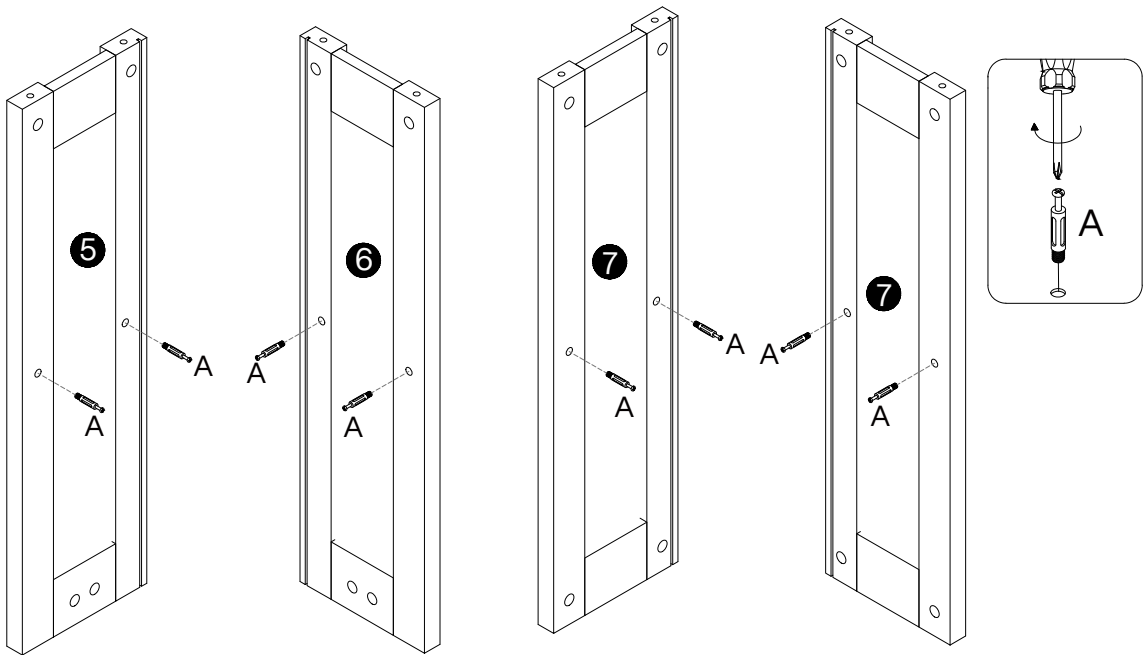
C	L
	
8 pcs	6 pcs

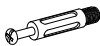
7



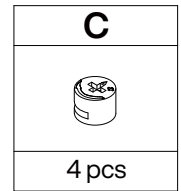
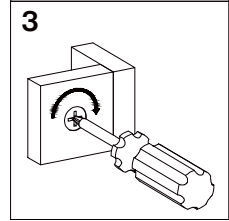
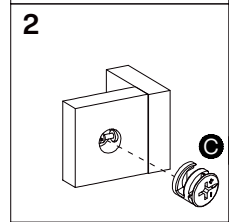
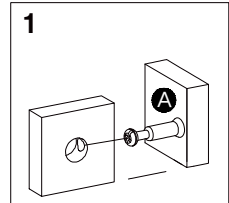
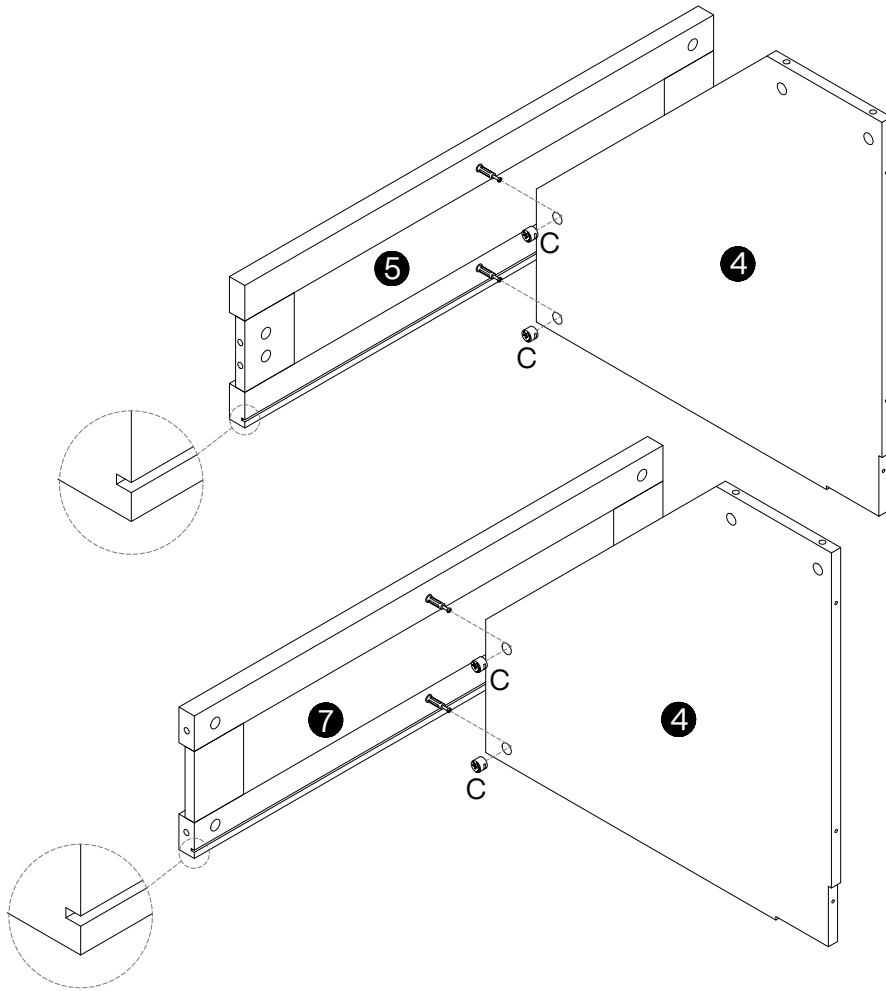
D

4 pcs

8

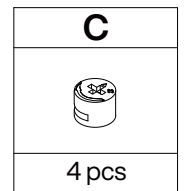
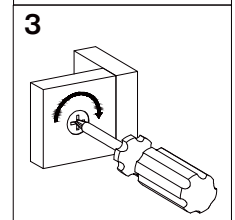
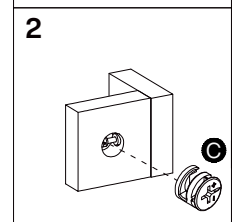
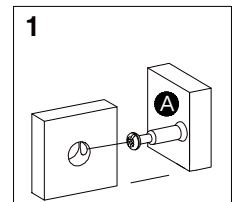
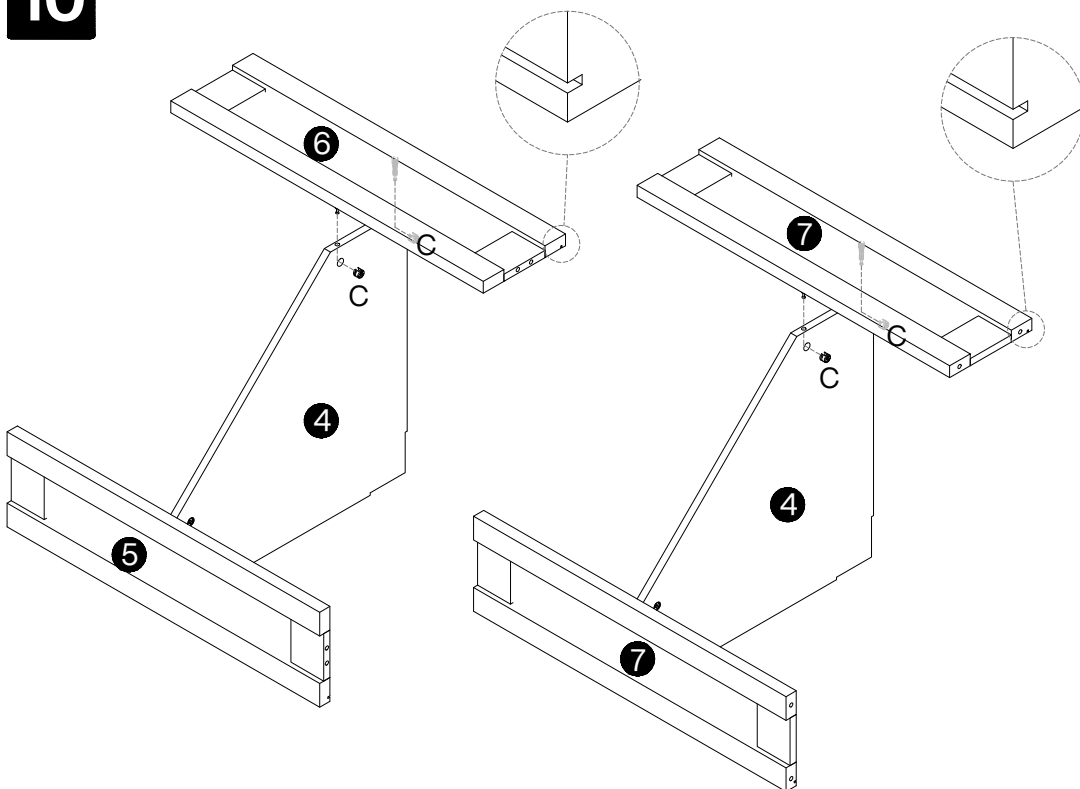


A

8 pcs

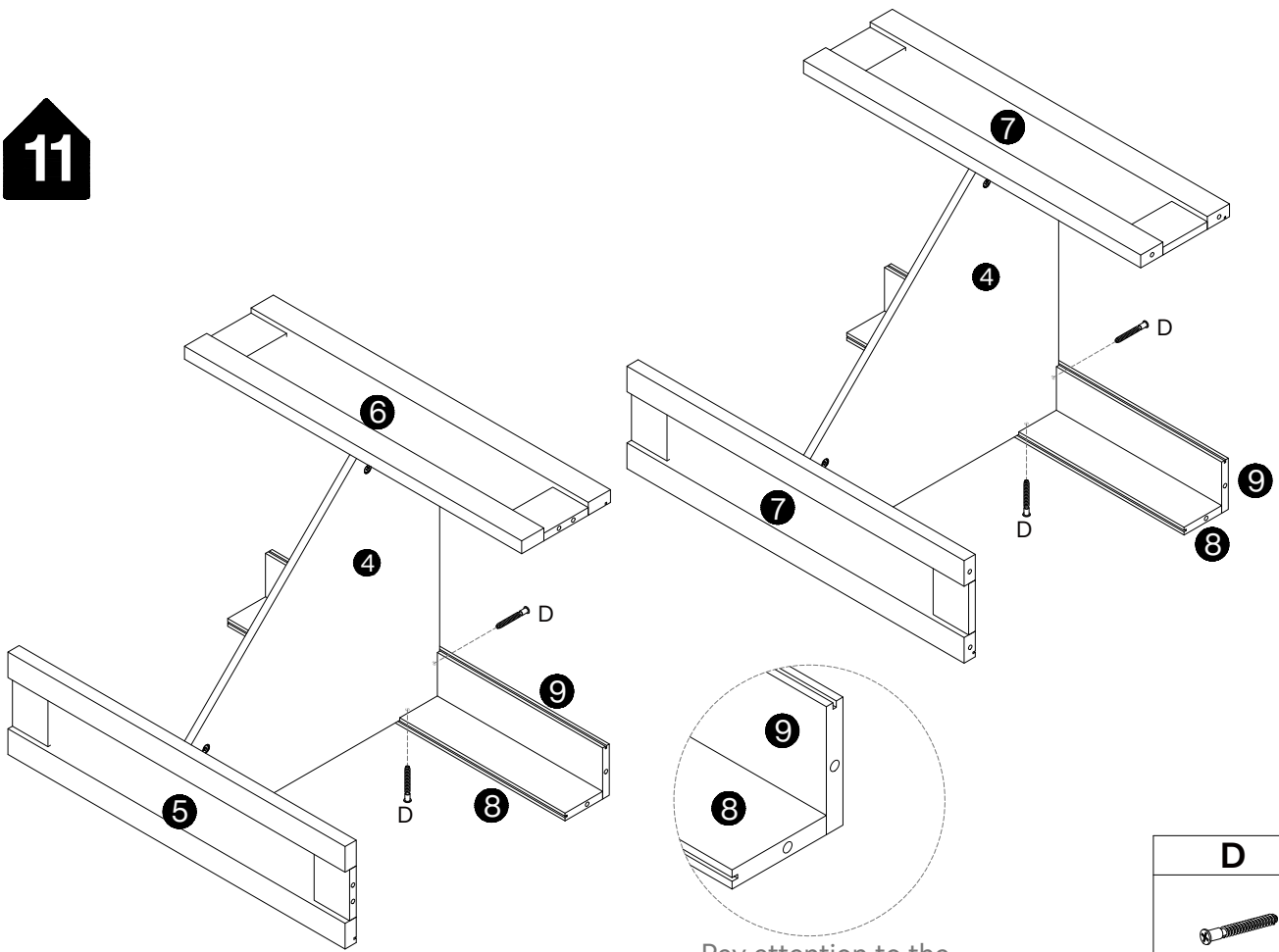
9




10



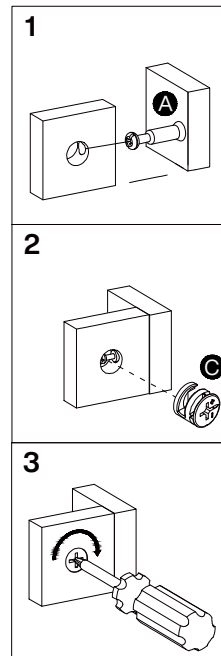
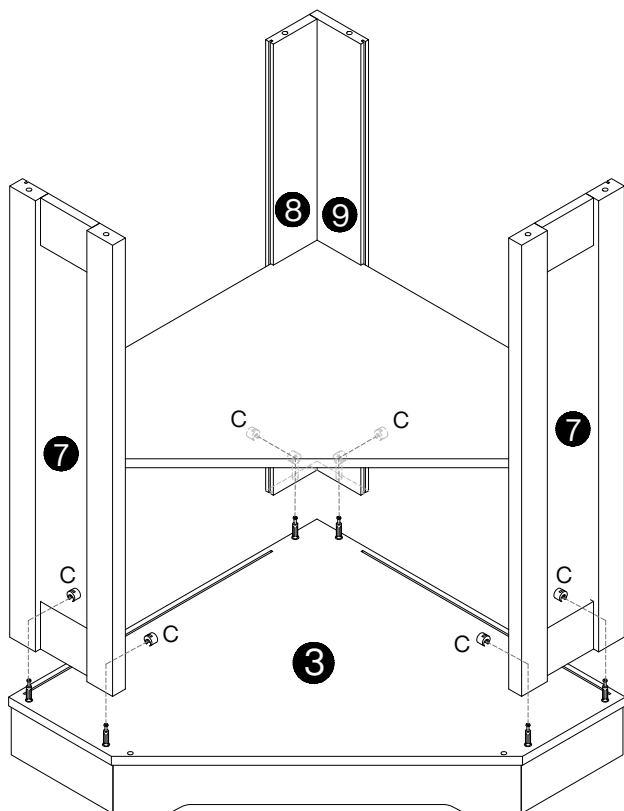
11




Pay attention to the placement of Board 8 and Board 9

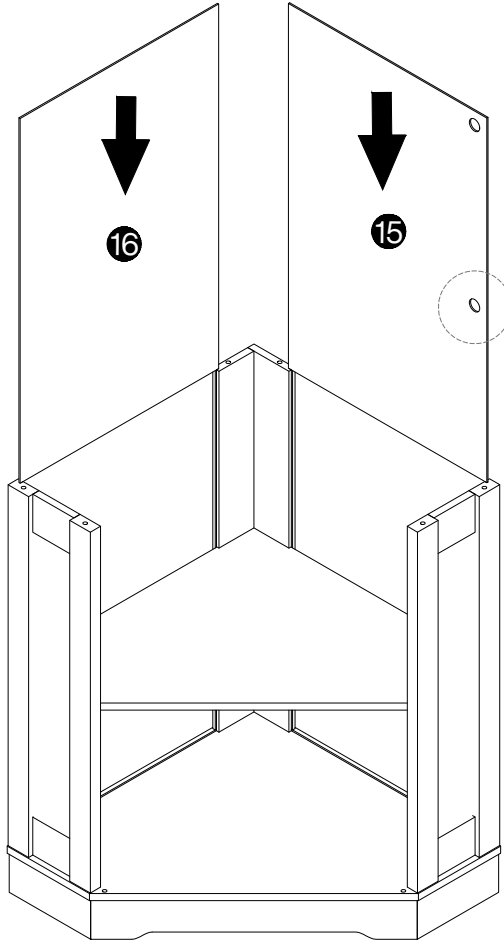
D

4 pcs

12



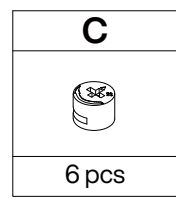
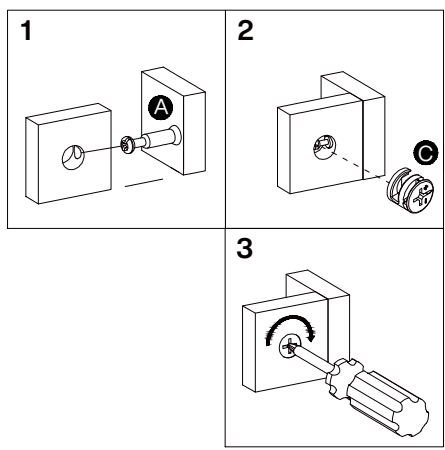
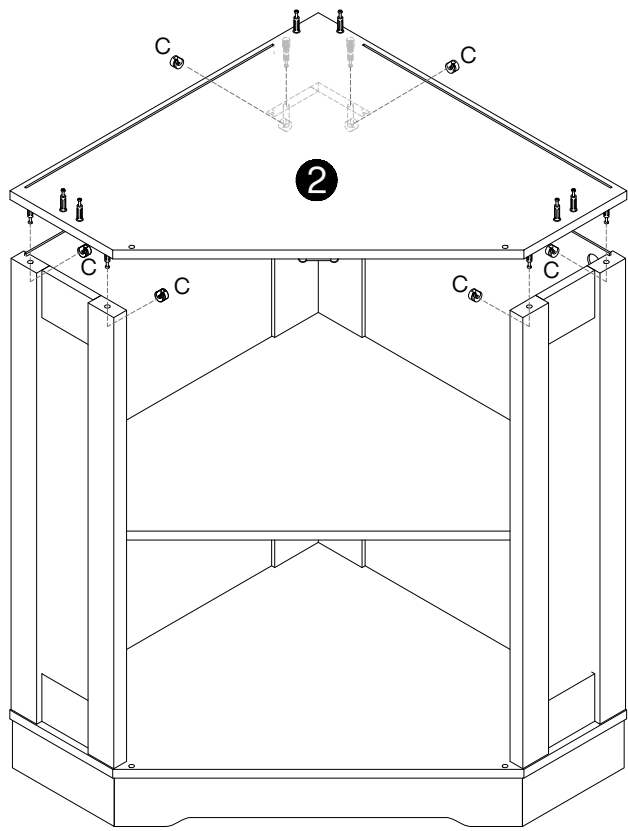
C

6 pcs

13

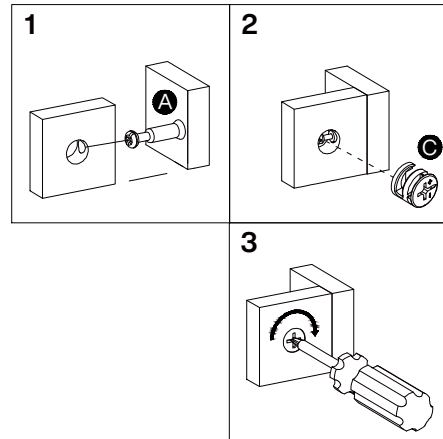
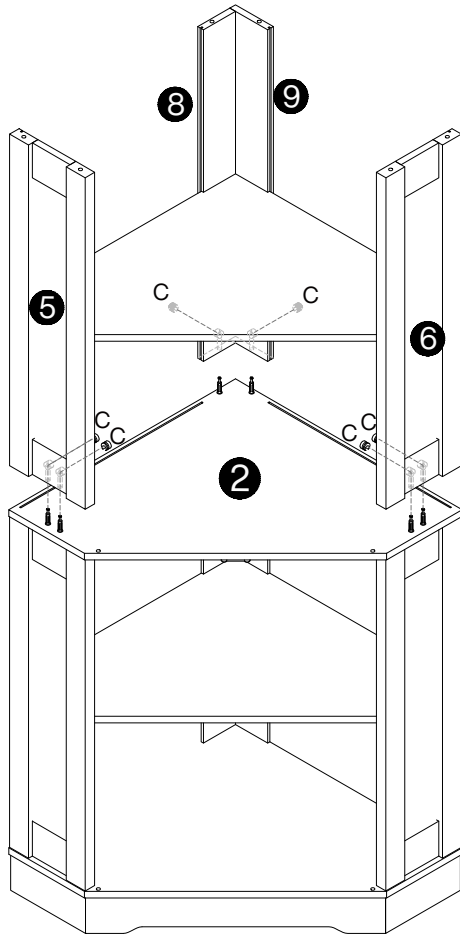


Pay attention to the position of the wiring holes

14

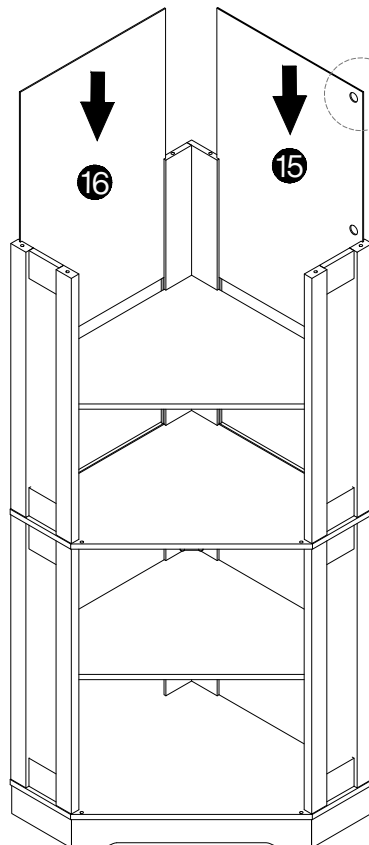


15

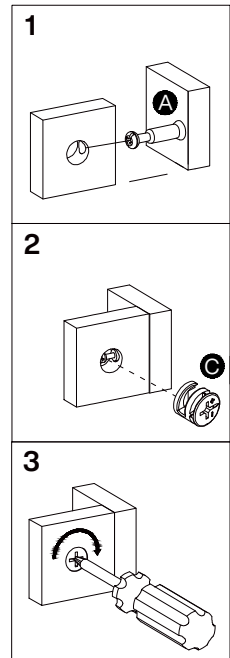
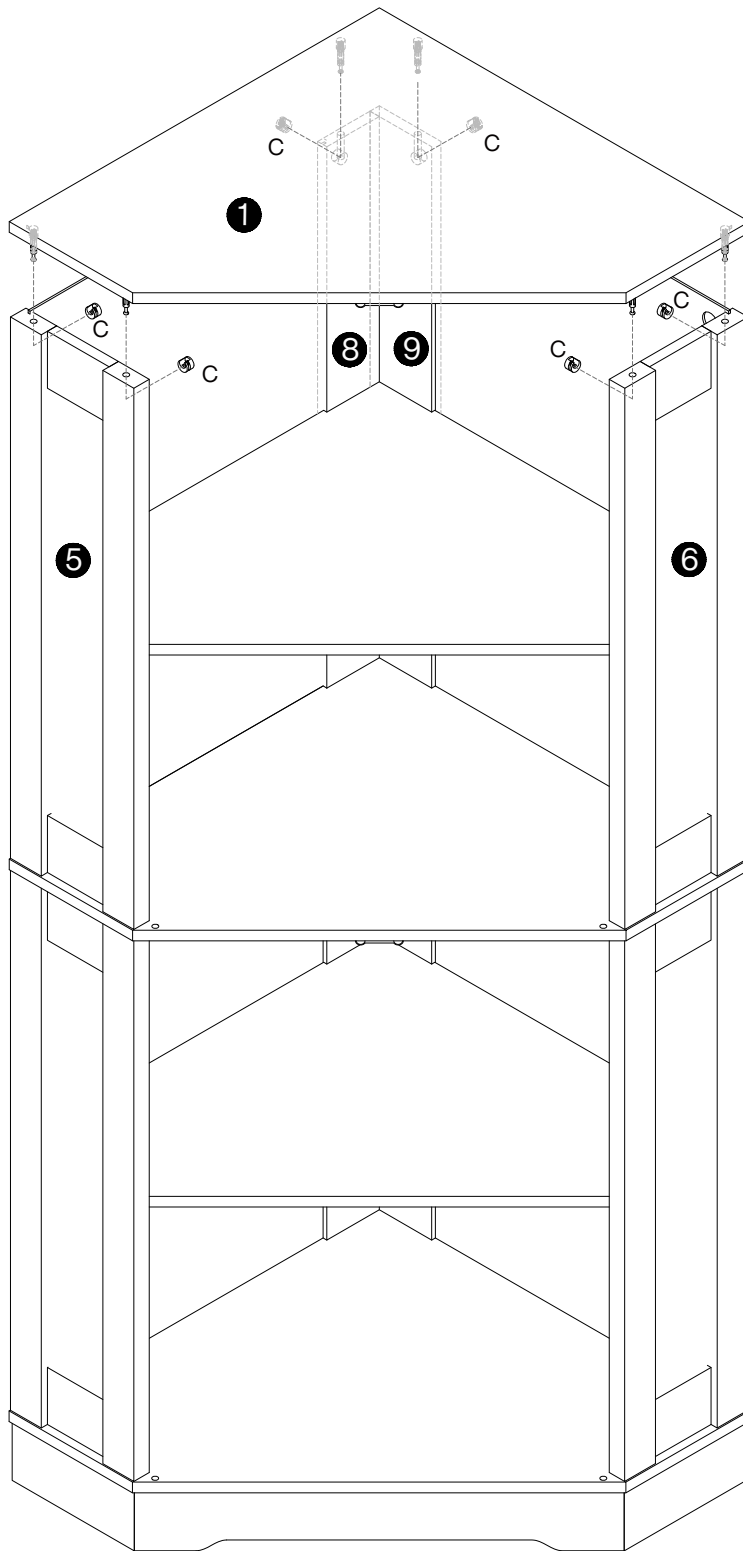


C
6 pcs

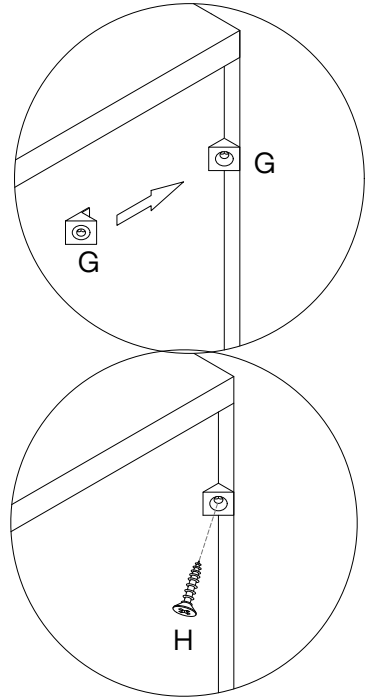
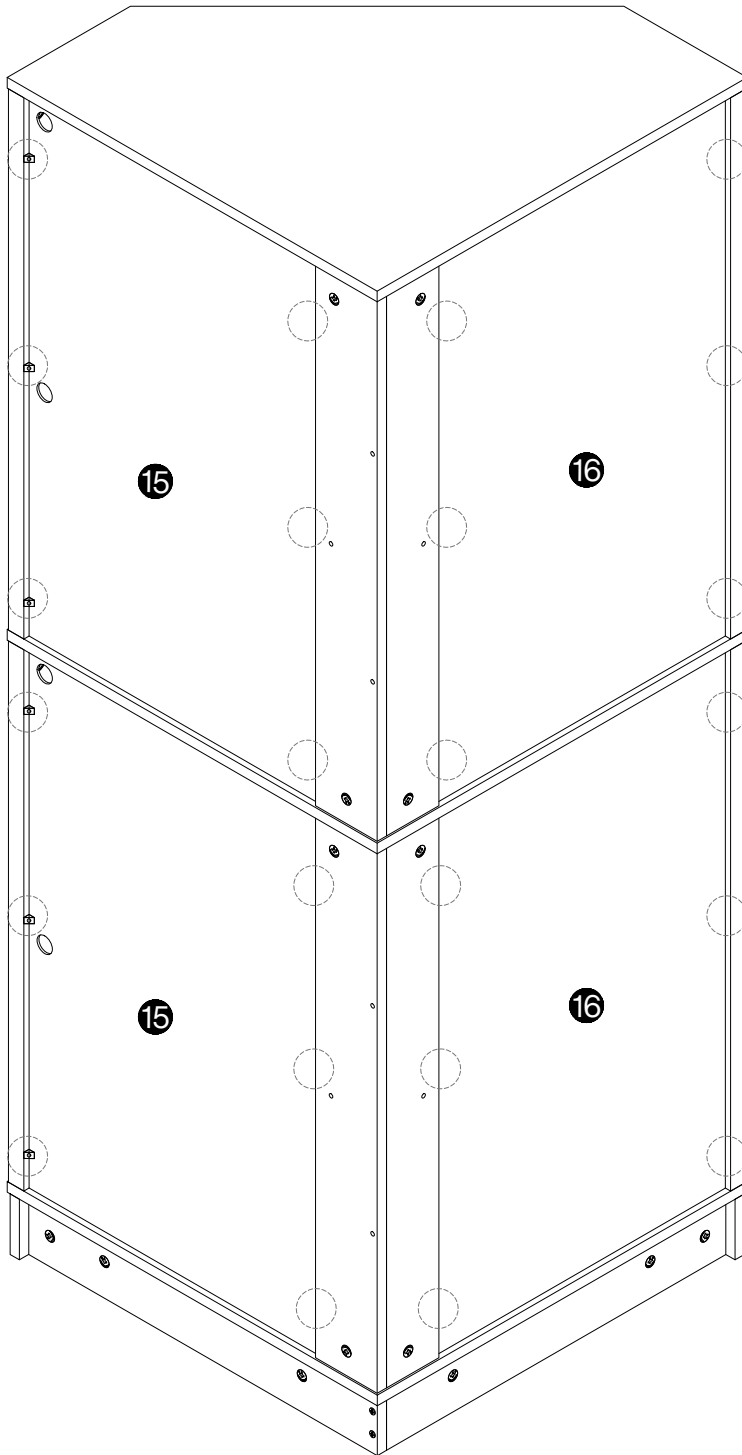
16





Pay attention to the position of the wiring holes

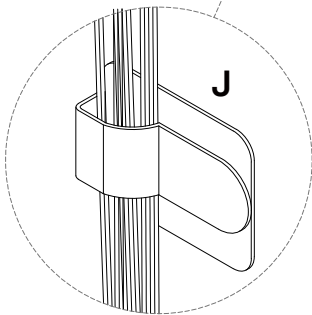
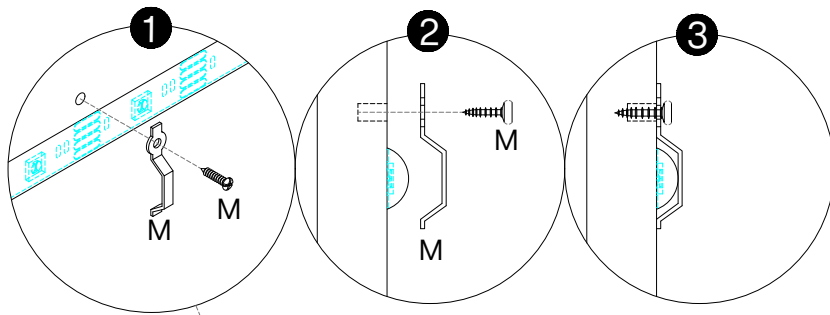
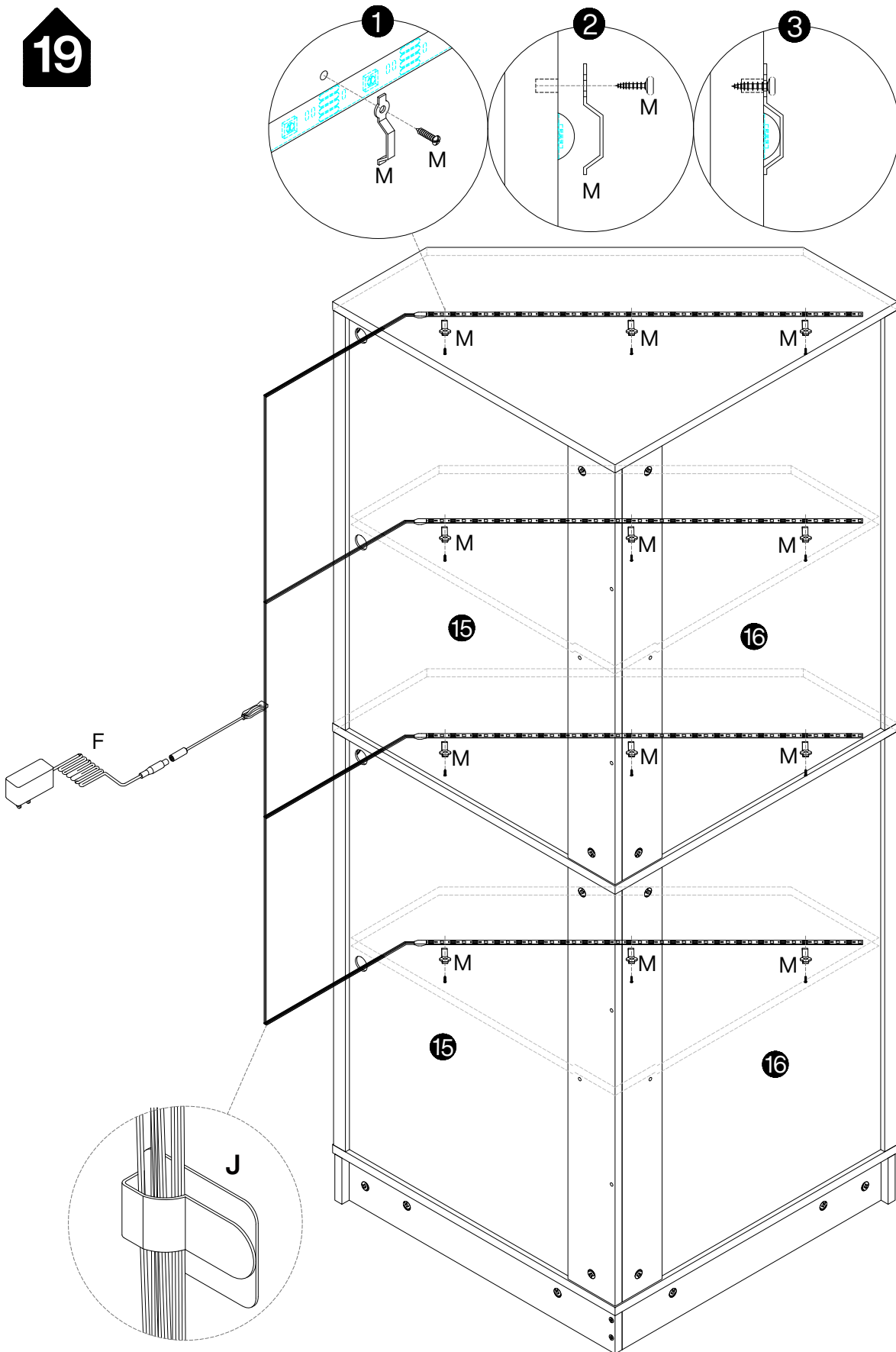


C
6 pcs



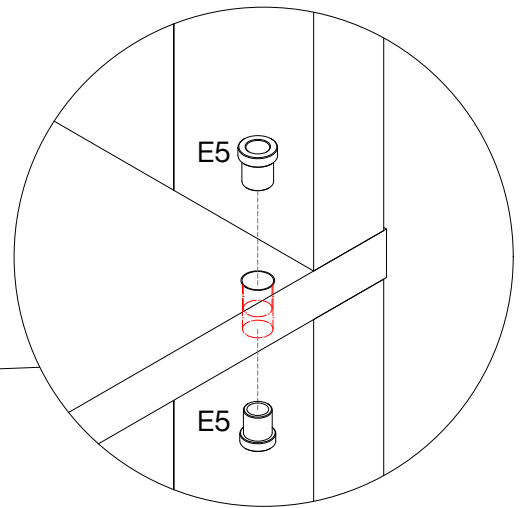
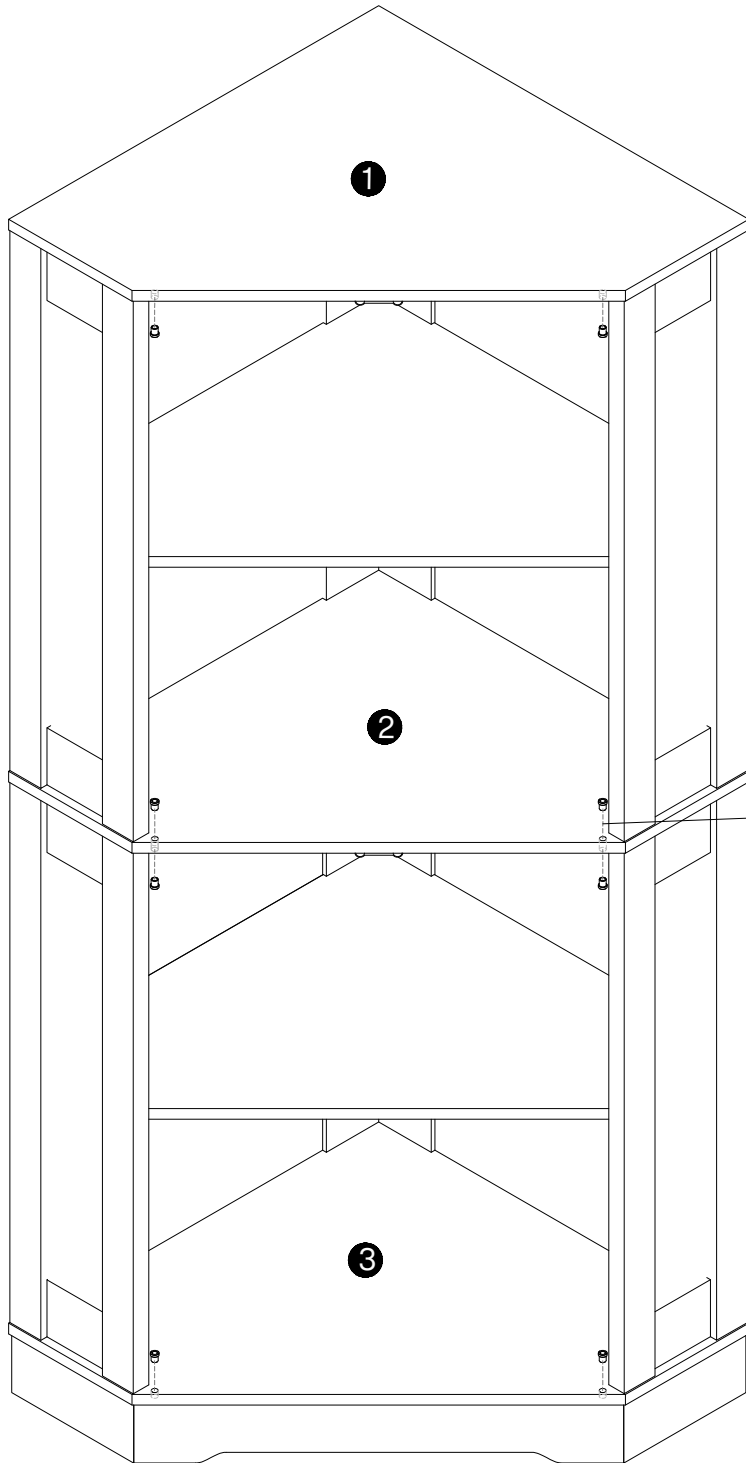
G	H
	
24 pcs	24 pcs


19

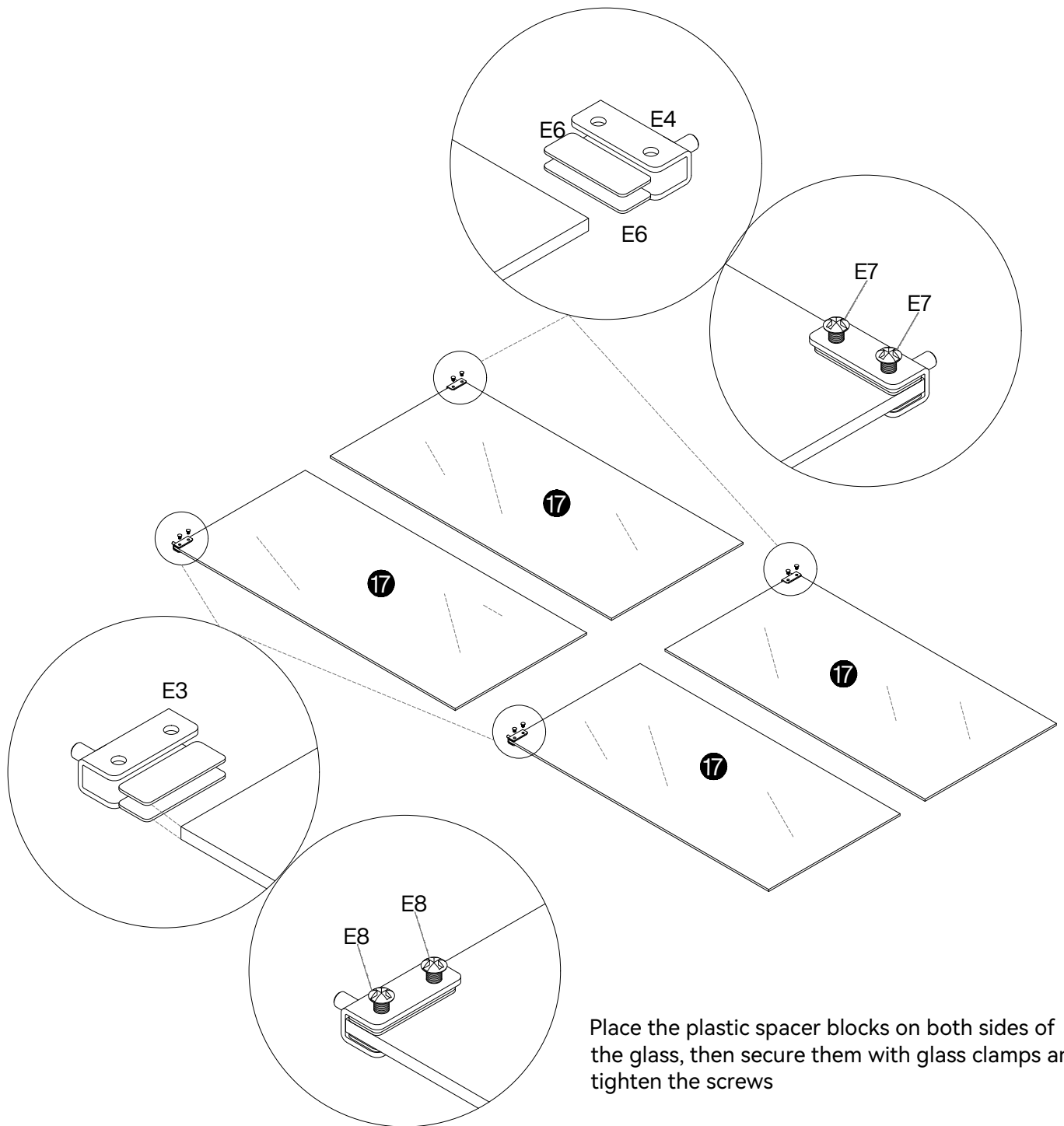


1. Feed the LED strip light through the rear opening.
2. Peel off its adhesive backing and apply it to the bottom surface.
3. Reinforce the strip with Component M.
4. Use Component J to organize the messy wire harness and secure it to the back.

F
1 pcs
J
5 pcs
M
12 pcs

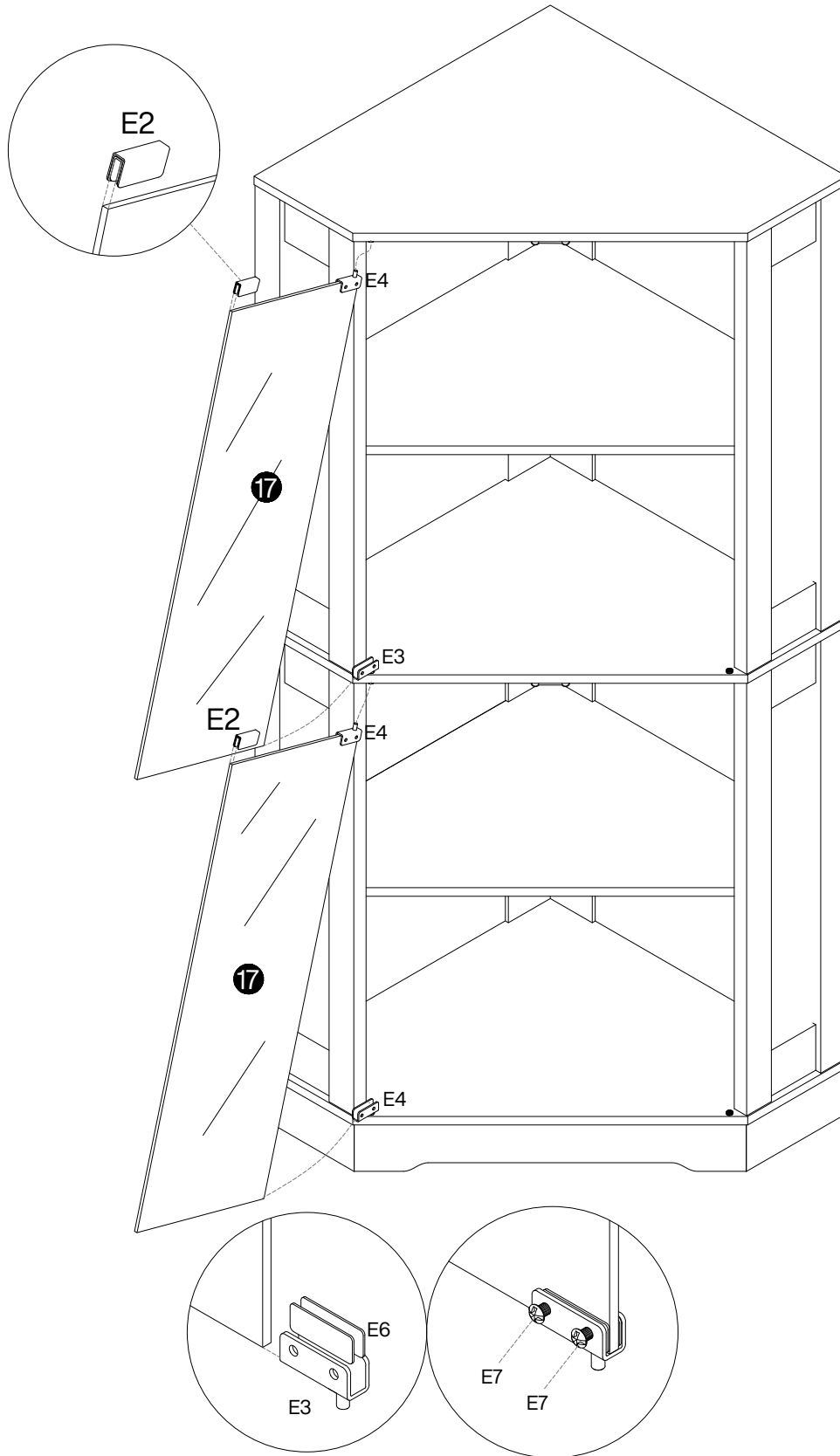


E5

8 pcs


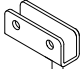




Place the plastic spacer blocks on both sides of the glass, then secure them with glass clamps and tighten the screws

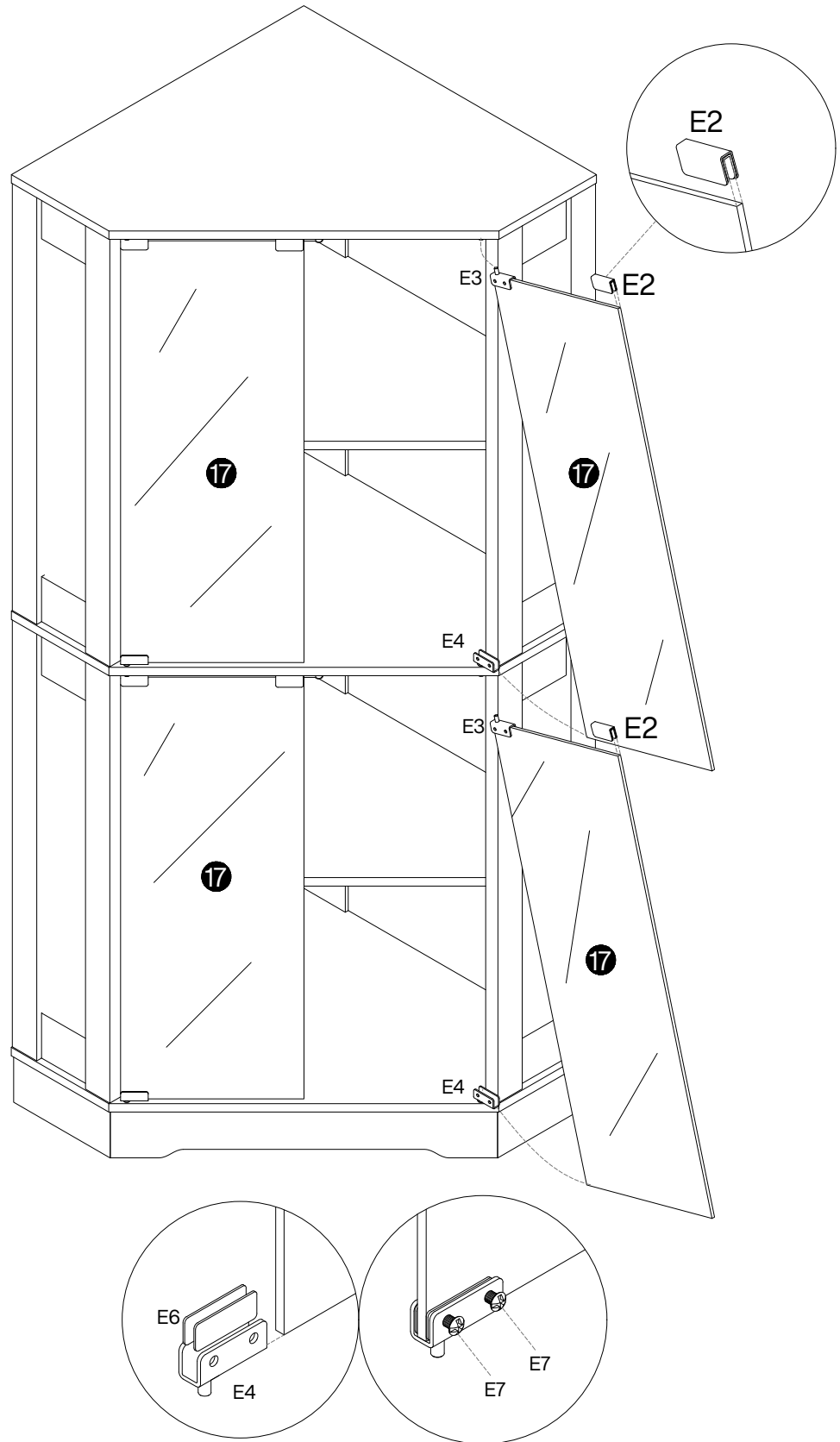
E3	E4	E6	E7
2 pcs	2 pcs	8 pcs	8 pcs




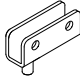


Place the plastic spacer blocks on both sides of the glass, then secure them with glass clamps and tighten the screws

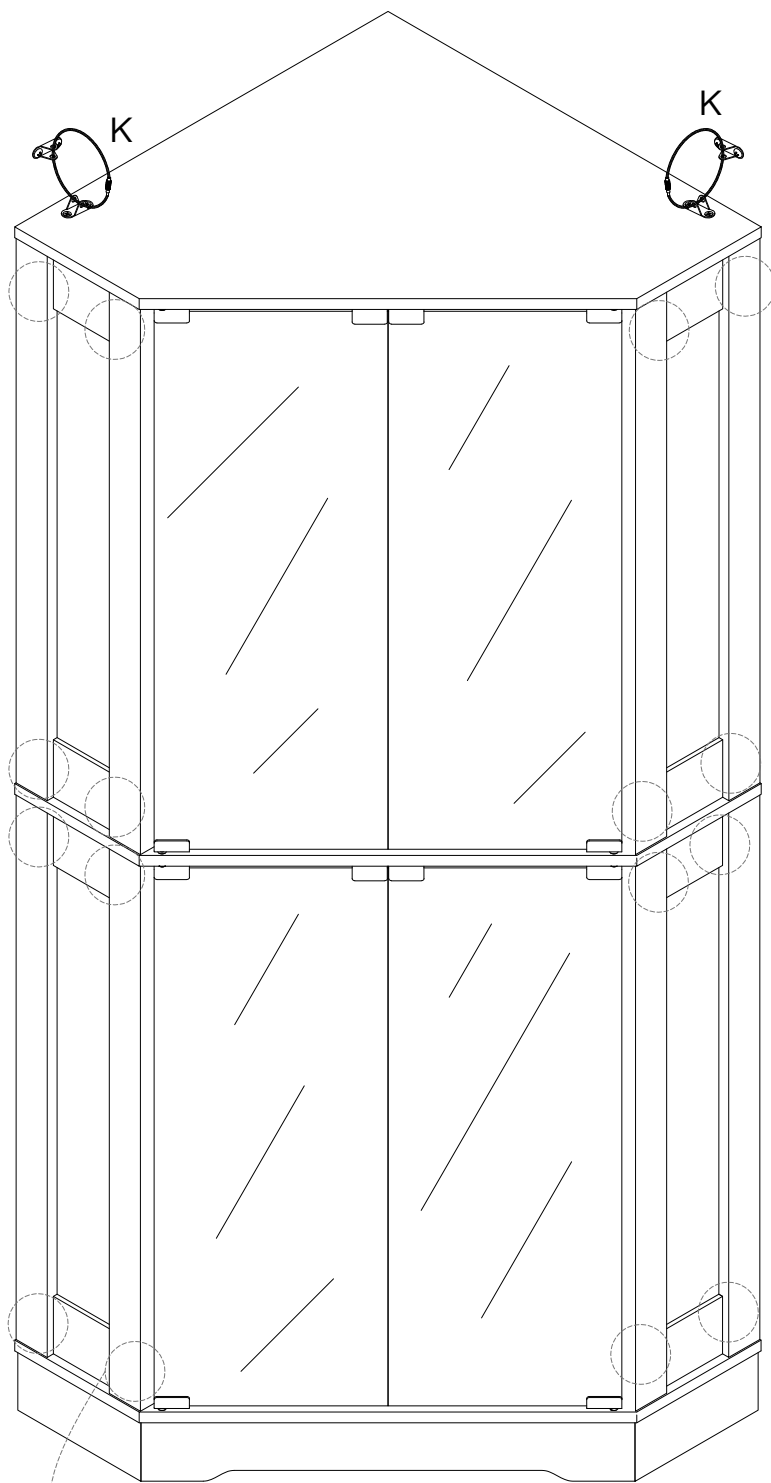
E2	E3	E6	E7
			
2 pcs	2 pcs	4 pcs	4 pcs

23

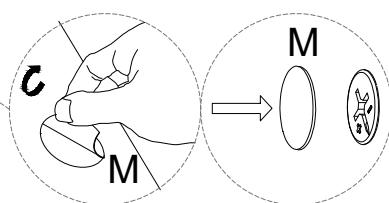
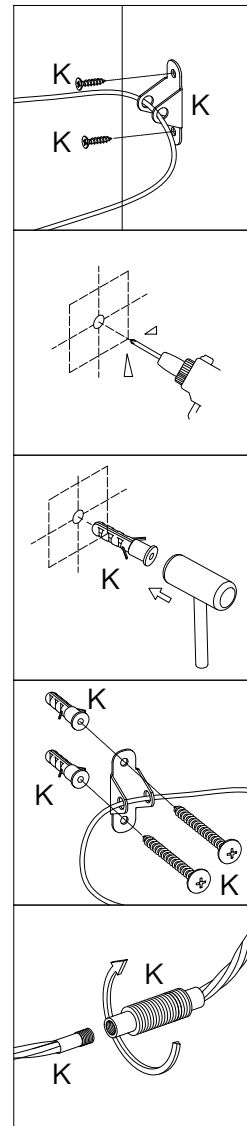


Place the plastic spacer blocks on both sides of the glass, then secure them with glass clamps and tighten the screws

E2	E4	E6	E7
			
2 pcs	2 pcs	4 pcs	4 pcs



Use the K accessory to secure the cabinet to the wall to prevent tipping



Use decorative stickers to cover the visible screw heads

K
2 pcs
M
16 pcs

Awesome!

You did it!

We'd love to see how it looks in your space—share your setup and tag us on

Instagram @spacegeneralnz

Visit us at www.spacegeneral.co.nz.