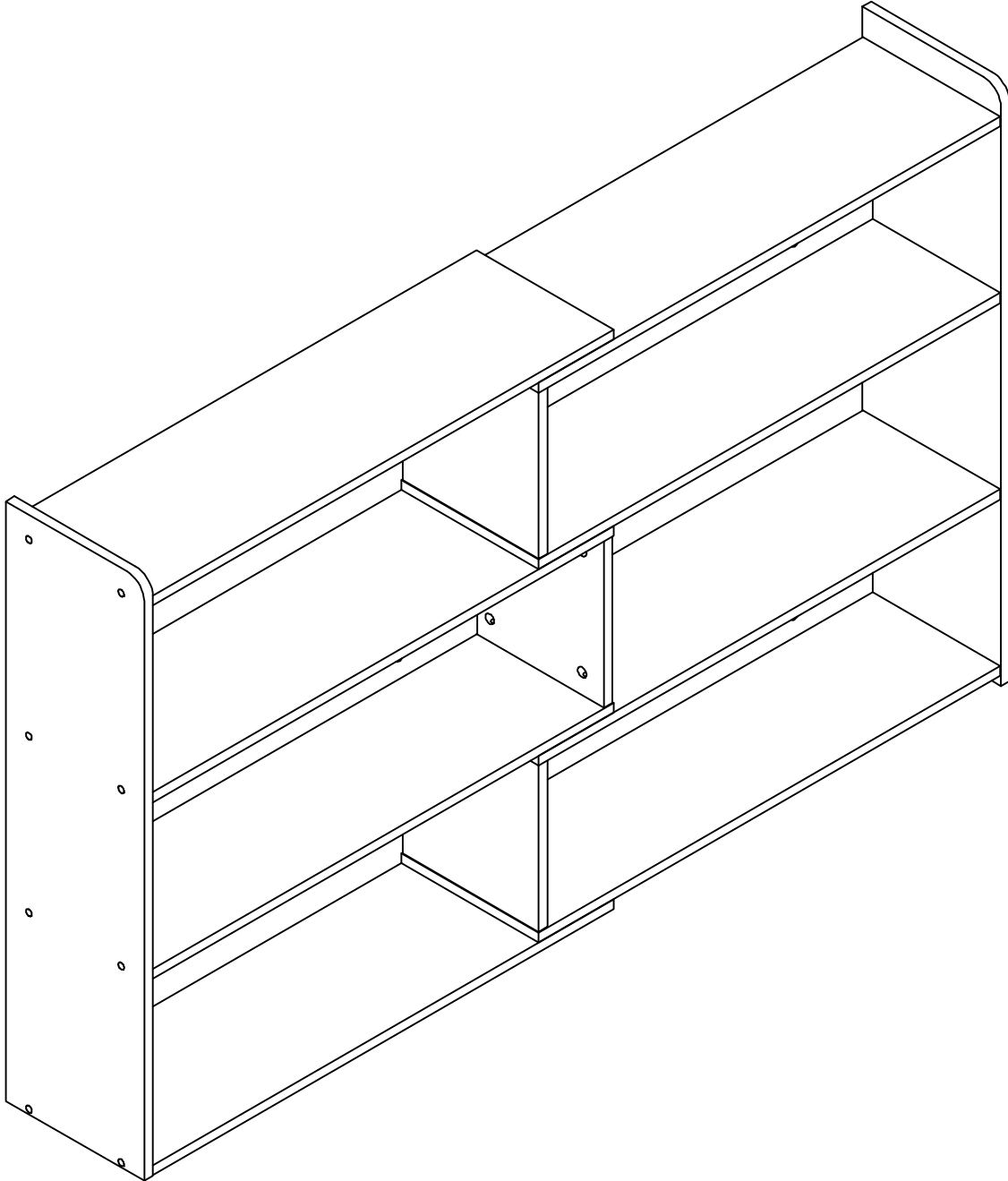


Extendable Wooden Bookshelf

Assembly Instructions - Thank you for your purchase.
Please follow the instructions below for correct assembly.

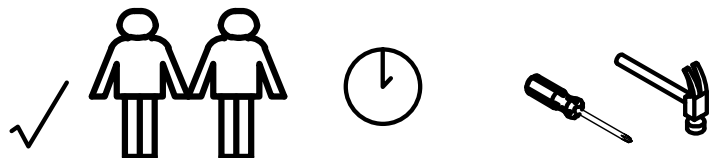


WARNING: Any furniture that is not anchored to a wall has the potential to tip over in certain circumstances, i.e. if a child attempts to climb up on the furniture or in the event of an earthquake. Accordingly, we recommend that all furniture is anchored to a wall. We supply a free safety wall anchor with all furniture sold and we recommend these are used to prevent your product tipping. The fixing device provided should fit most wall types, but please note that different wall materials may require different fixing devices from those supplied.

Safety and Care Advice

IMPORTANT - Please Read This Instruction Carefully Before Assembly.

- Check you have all the components and tools listed on page 3.
- Remove all settings from the plastic bags and separate them into their groups.
- Keep children and animals away from the work area, small parts could choke if swallowed.
- Make sure you have enough space to layout the parts before assembly.
- Do not stand or put weight on the product, this could cause damage.
- Assemble the item as close to it's intended position(in the same room) as possible.
- Assemble on a soft level surface to avoid damaging the unit.
- Parts of the assembly will be easier with 2 people.
- Do not use power drill/drivers for assembly, or the unit may be damaged.
- Dispose of all packaging carefully and responsibly.



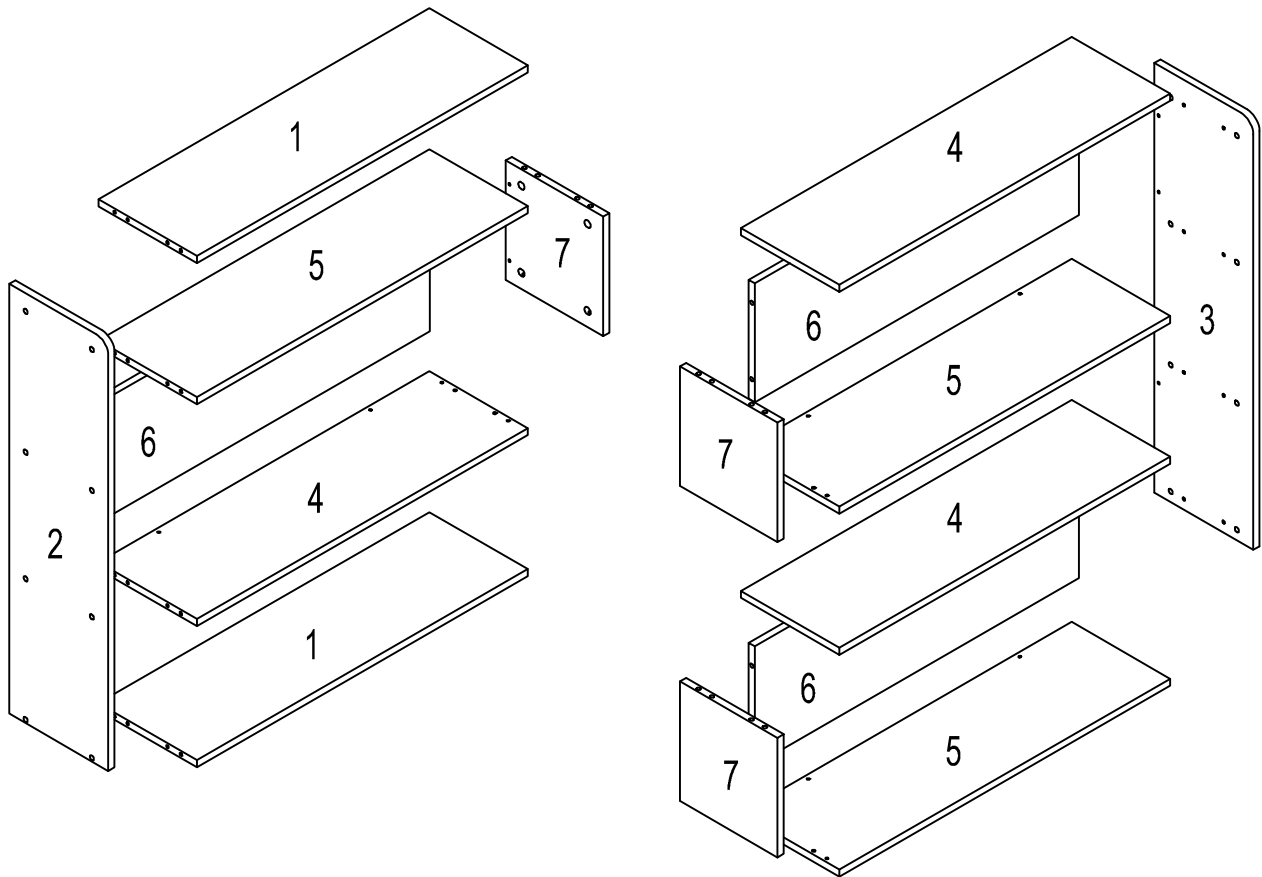
CARE and MAINTENANCE

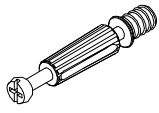
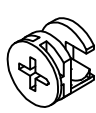
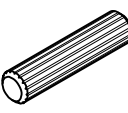
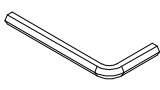
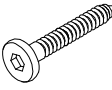

- Only clean using a damp cloth and mild detergent, do not use bleach or abrasive cleaners.
- From time to time check that there are no loose screws on this unit.
- This product should not be discarded with household waste. Take to your local authority waste disposal center.

Components and Tools

IMPORTANT - Please Check If You Have All The Components and Tools.

Note: The quantities below are the correct amount to complete the assembly. In some cases more pieces may be supplied than are required.



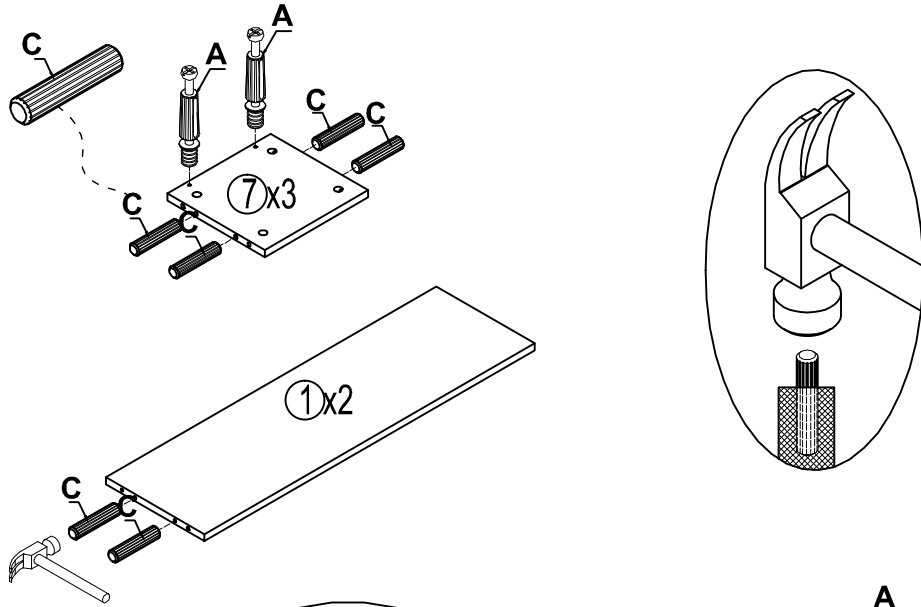
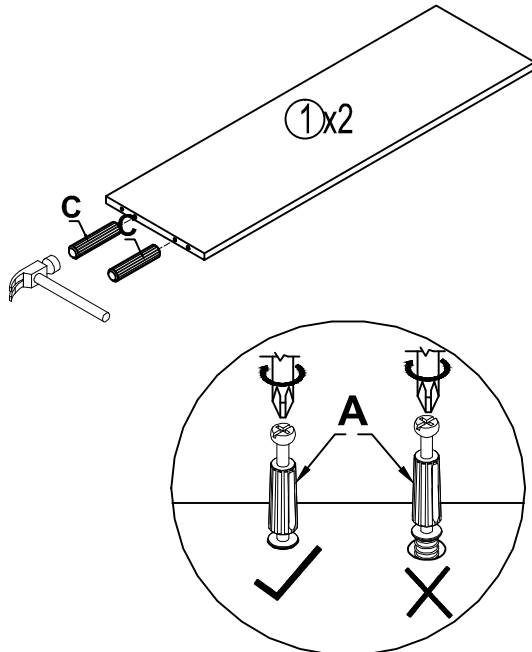
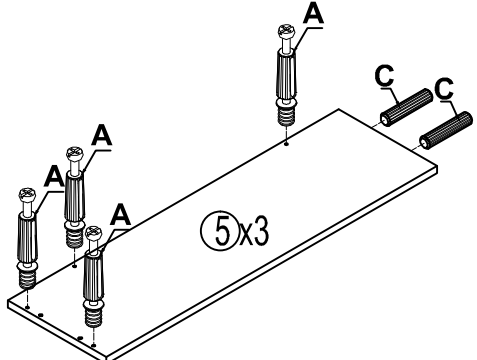


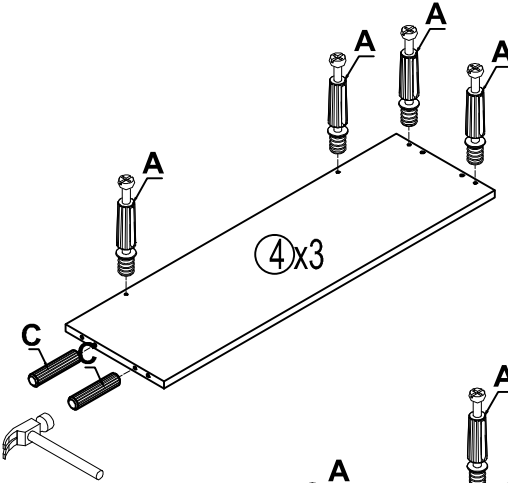
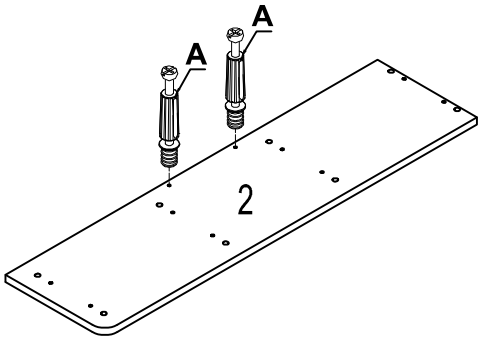
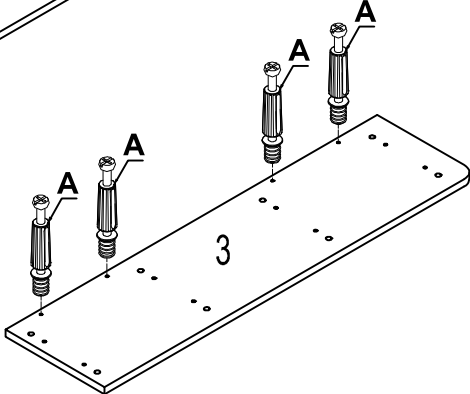


<p>A=36</p>  <p>Peg M6*34mm</p>	<p>B=36</p>  <p>Lock M15*12mm</p>	<p>C=28</p>  <p>Dowel M6*30mm</p>	<p>D=1</p> 	<p>E=16</p>  <p>M7X45MM SCREW</p>	<p>F=6</p>  <p>Plastic Feet</p>

1OF2 ②,③,⑥X3,⑦X3,FITTING KIT.

2OF2 ①X2,④X3,⑤X3.

Assembly Instruction

Step 1	
A=6	C=16
	
Peg	Dowel
	
	
	
Step 2	
A=30	C=12
	
Peg	Dowel
	
	
	

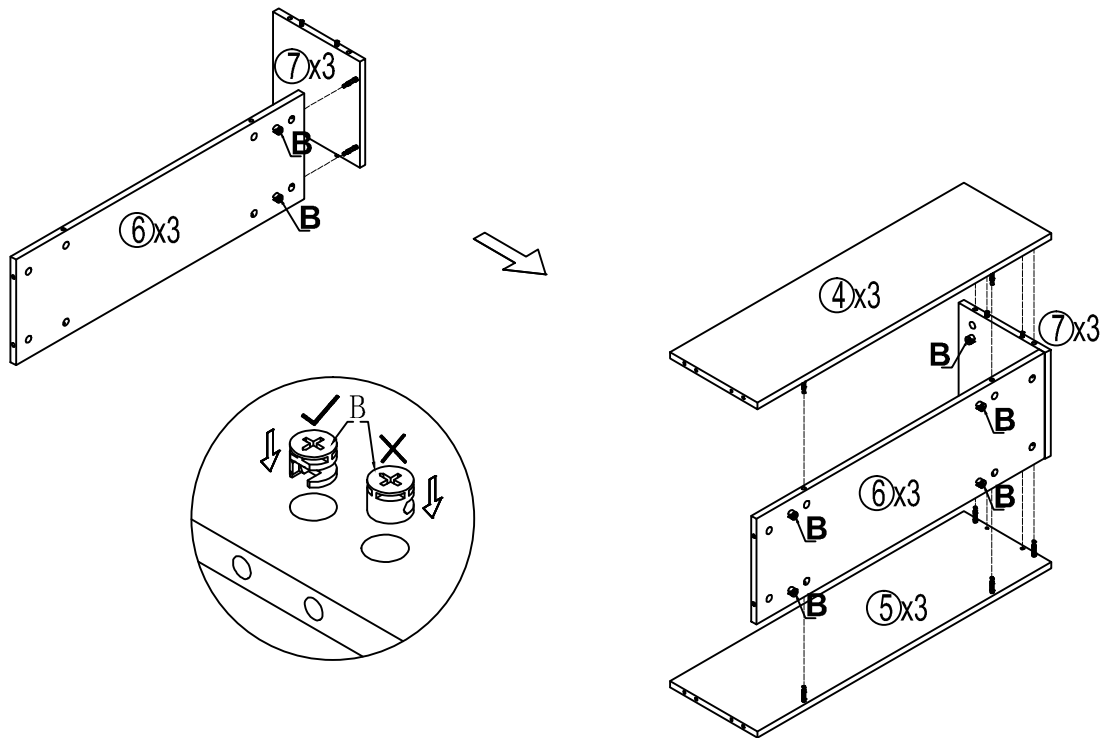
Assembly Instruction

Step 3

B=30



Lock



Step 4

E=8

D=1

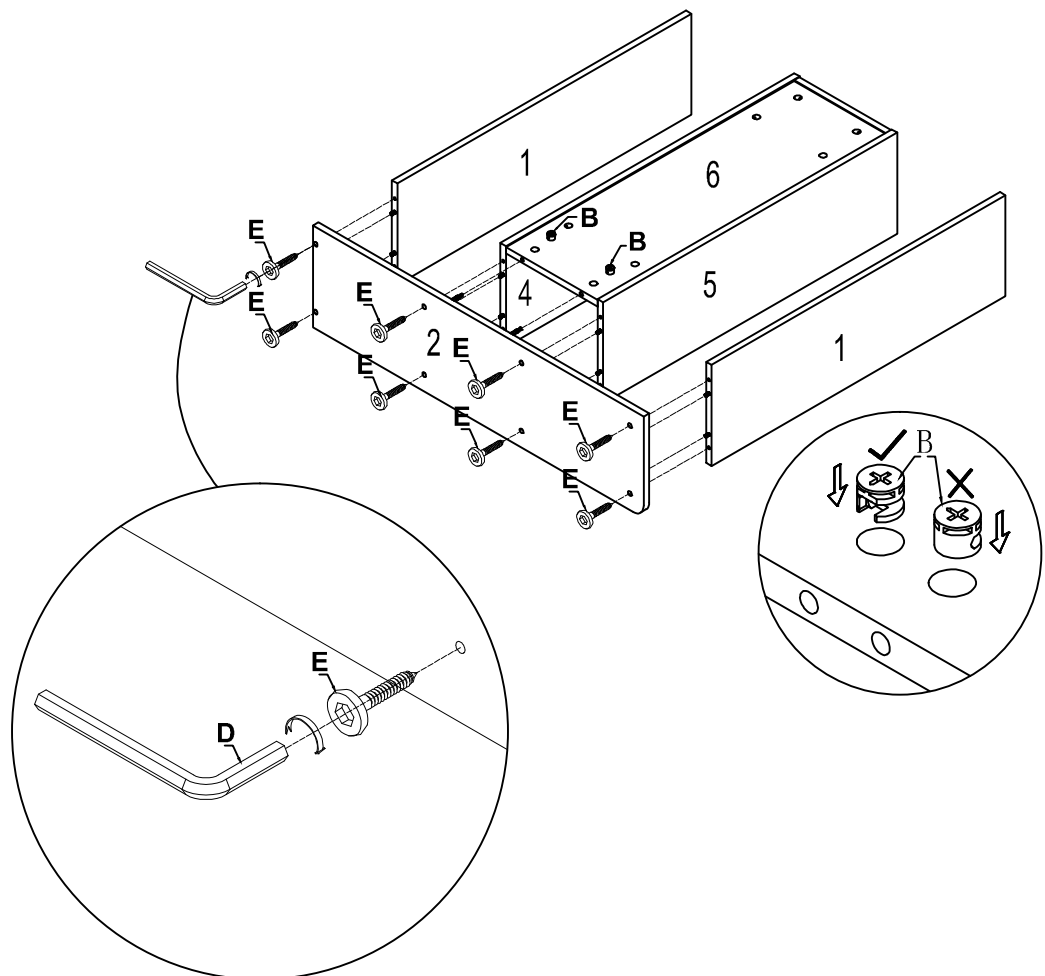


M7X45MM
SCREW

B=2



Lock

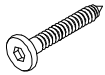


Assembly Instruction

Step 5

E=8

D=1

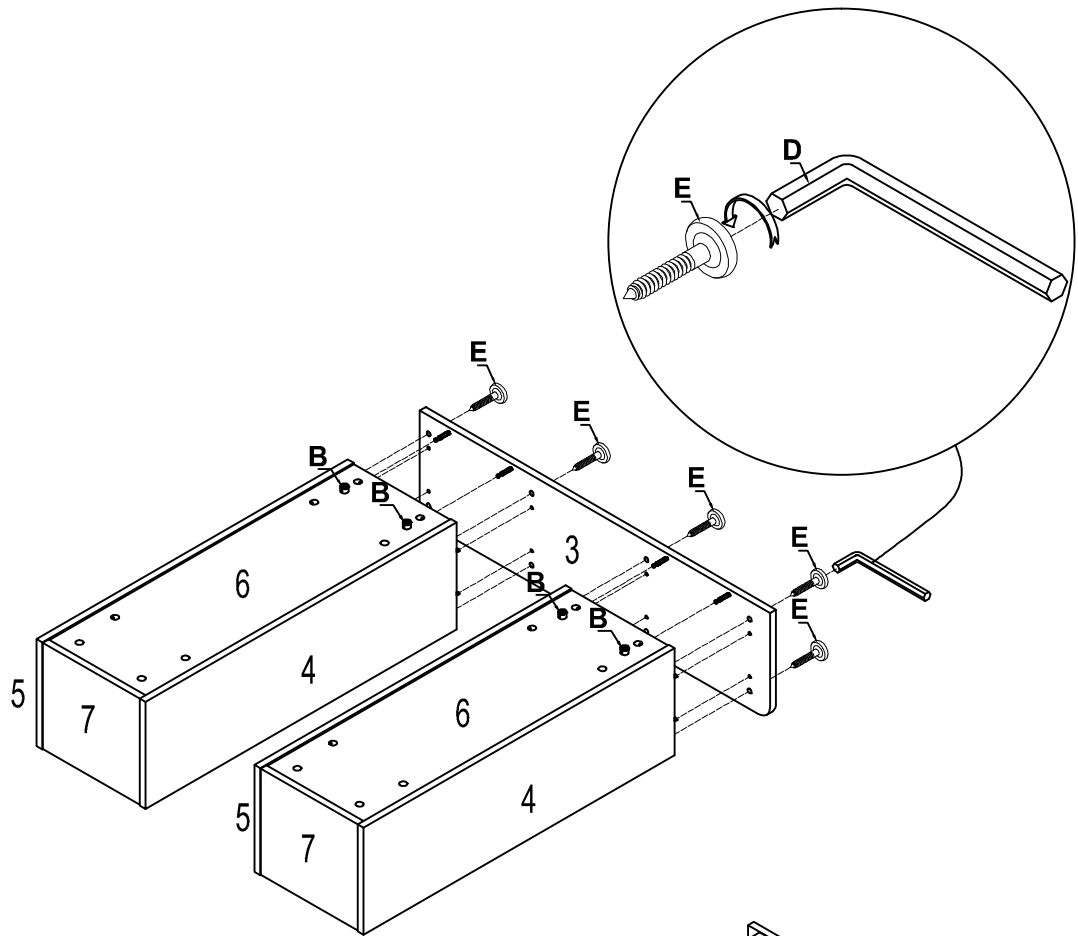


M7X45MM
SCREW

B=4



Lock

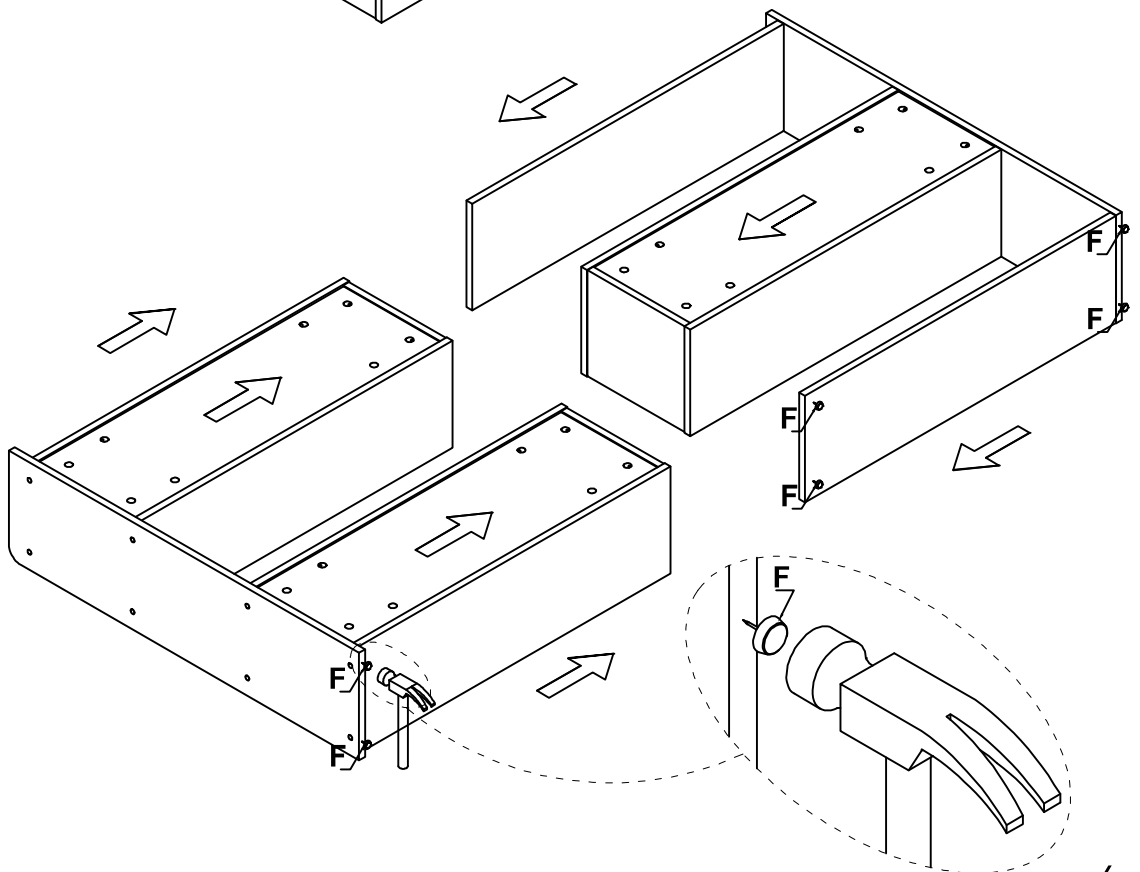


Step 6

F=6



Plastic
Feet



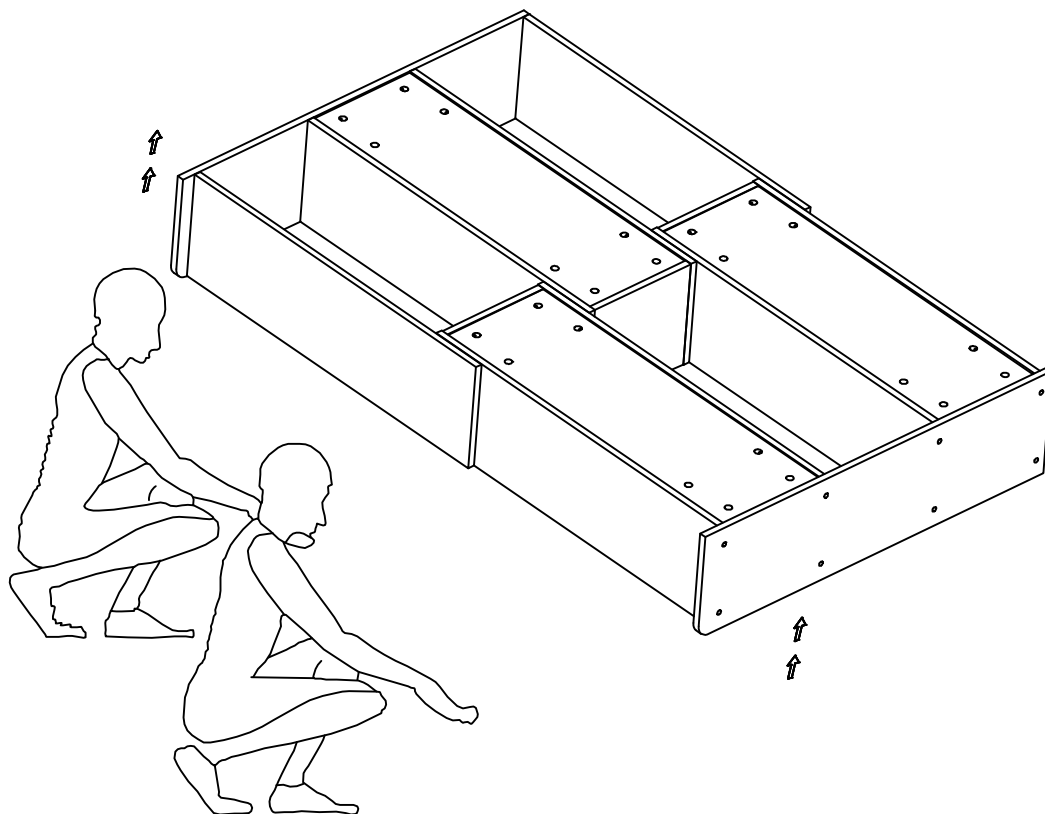
6

**Open
Concept**

www.spacegeneral.co.nz

Assembly Instruction

Step 7



Step 8

