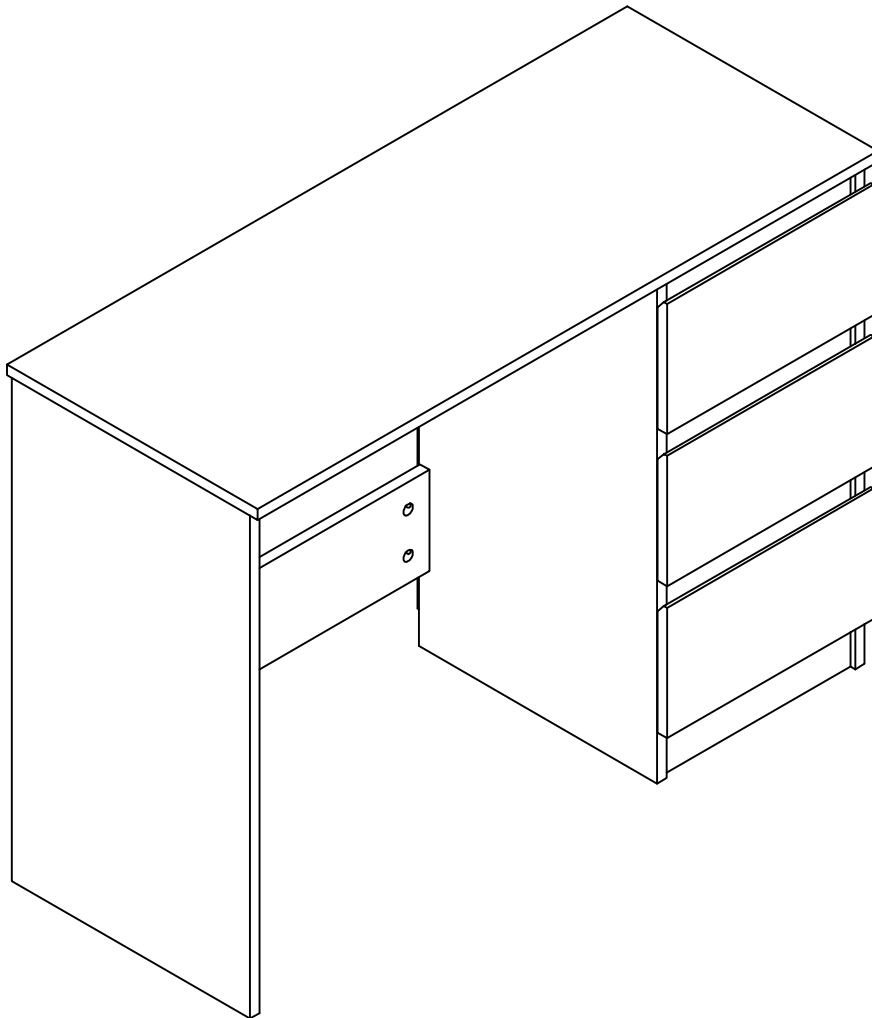


Office Desk

Assembly Instructions - Thank you for your purchase.
Please follow the instructions below for correct assembly.

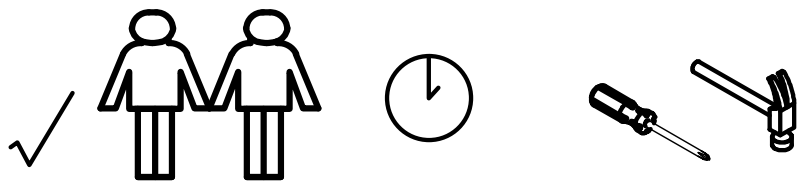
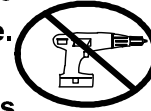


Space General

Safety and Care Advice

IMPORTANT - Please Read This Instruction Carefully Before Assembly.

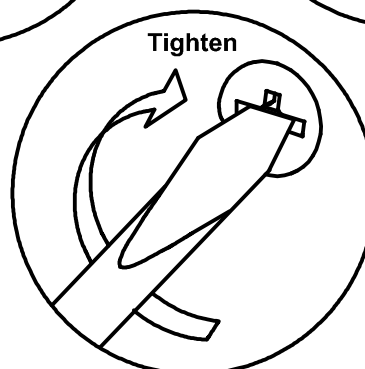
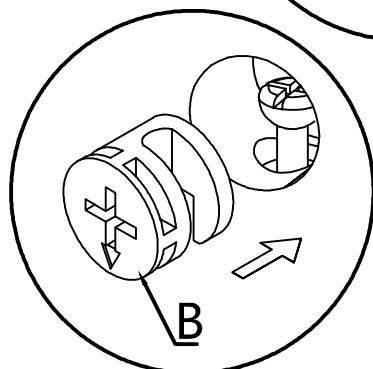
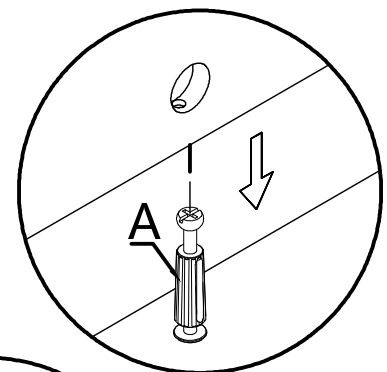
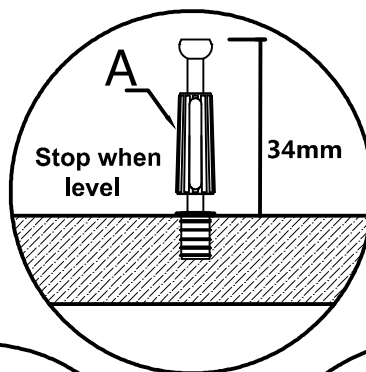
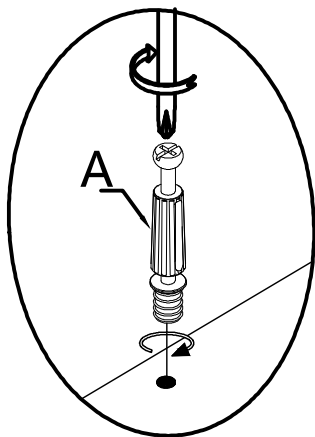
- Check you have all the components and tools listed on page 3.
- Remove all settings from the plastic bags and separate them into their groups.
- Keep children and animals away from the work area, small parts could choke if swallowed.
- Make sure you have enough space to layout the parts before assembly.
- Do not stand or put weight on the product, this could cause damage.
- Assemble the item as close to it's intended position (in the same room) as possible.
- Assemble on a soft level surface to avoid damaging the unit.
- Parts of the assembly will be easier with 2 people.
- Do not use power drill/drivers for assembly, or the unit may be damaged.
- Dispose of all packaging carefully and responsibly.



CARE and MAINTENANCE

- Only clean using a damp cloth and mild detergent, do not use bleach or abrasive cleaners.
- From time to time check that there are no loose screws on this unit.
- This product should not be discarded with household waste. Take to your local authority waste disposal center.

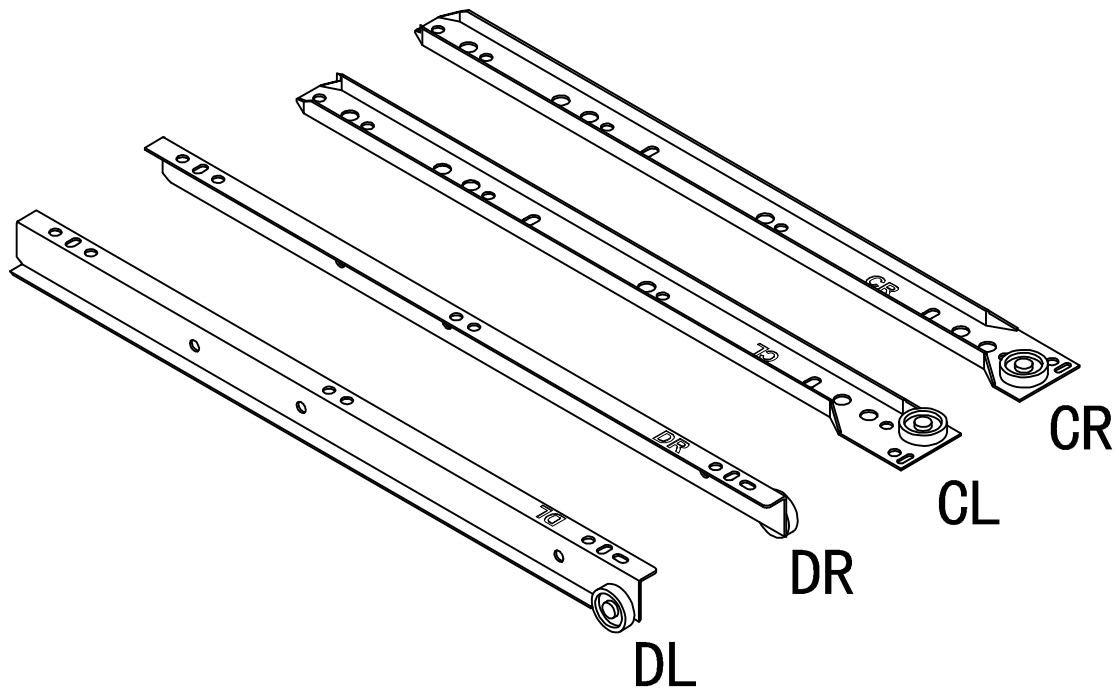
General Hints & Tips



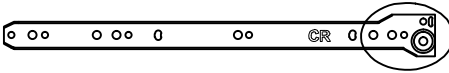
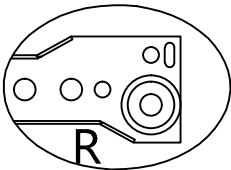
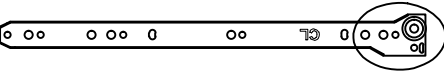
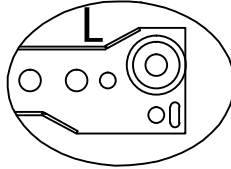

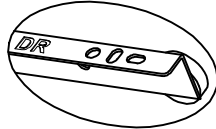
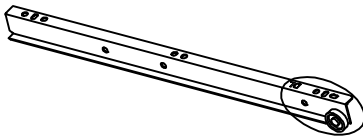
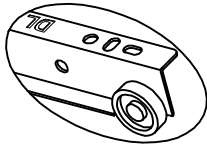
Drawer Runner Instruction

IMPORTANT - Please Read It Carefully.

NOTE: 1 PAIR DRAWER RUNNER INCLUDES 4 PIECES.



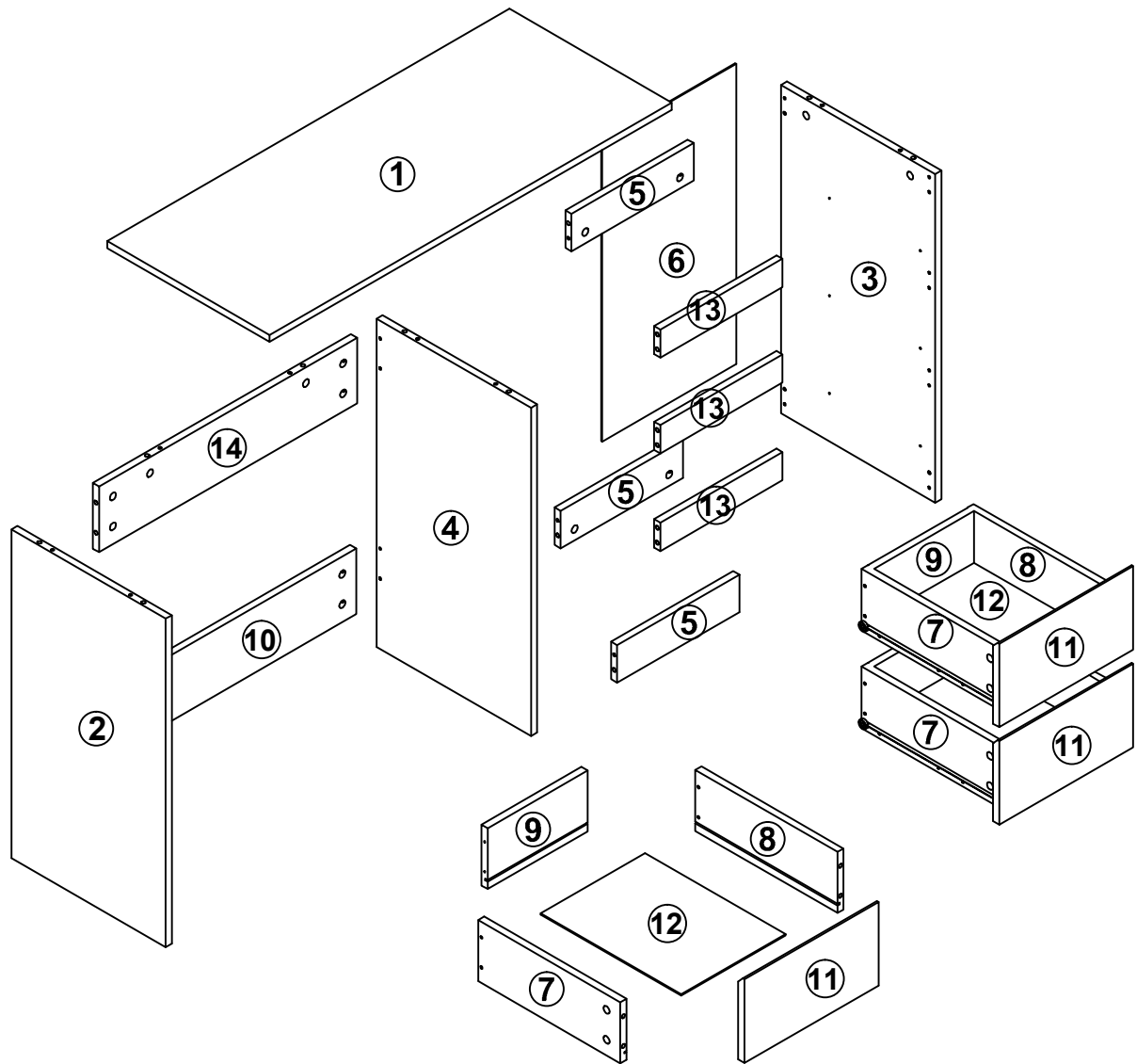
Fittings (not to scale)

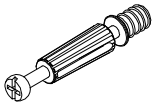
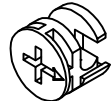
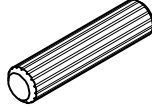
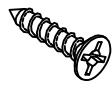
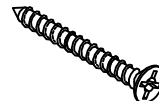
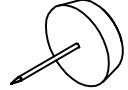
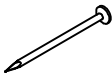

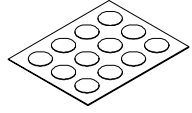
NO.	DESCRIPTION	QTY		
CR	Outer Drawer Runner - Right	3PCS		
CL	Outer Drawer Runner - Left	3PCS		
DR	Inner Drawer Runner - Right	3PCS		
DL	Inner Drawer Runner - Left	3PCS		

Components and Tools

IMPORTANT - Please Check If You Have All The Components and Tools.

Note: The quantities below are the correct amount to complete the assembly. In some cases more pieces may be supplied than are required.



A=46  Peg M6*34mm	B=46  Lock M15*12mm	C=14  Dowel M6*30mm	D=24  Screw M3.5*14mm	E=12  Screw M4*38	F=6  Plastic Feet
G=8  Pin	CR CL DR DL=3  Drawer Runner	H=12 			

10F2 ①, ⑤ X3, ⑥, ⑨ X3, ⑩, ⑫ X3, ⑬ X3, ⑭,

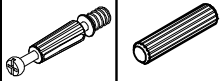
20F2 ②, ③, ④, ⑦ X3, ⑧ X3, ⑪ X3, FITTING KIT

Assembly Instruction

Step 1

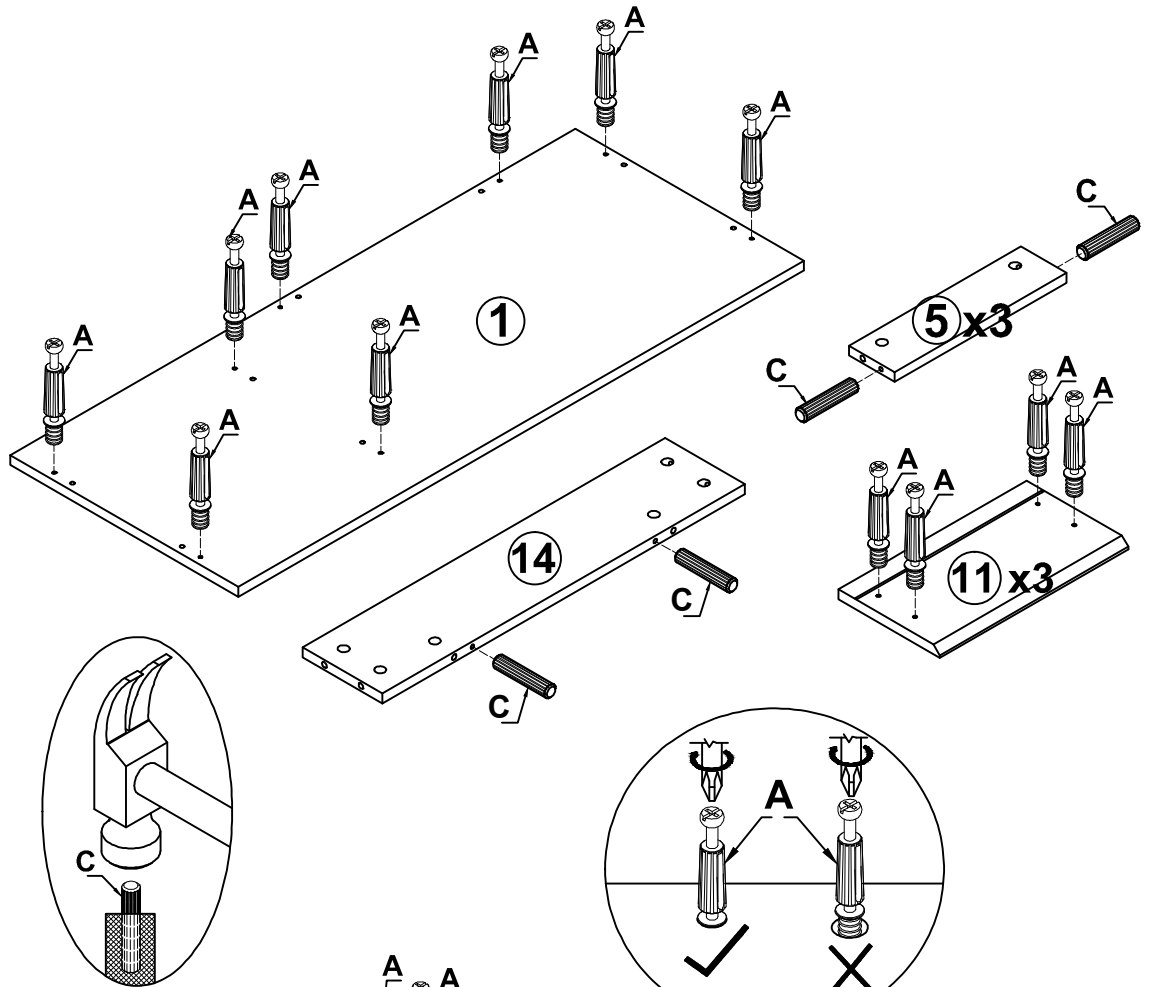
A=20

C=8



Peg

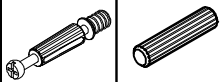
Dowel



Step 2

A=13

C=4

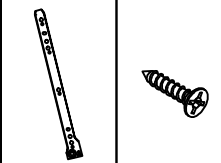


Peg

Dowel

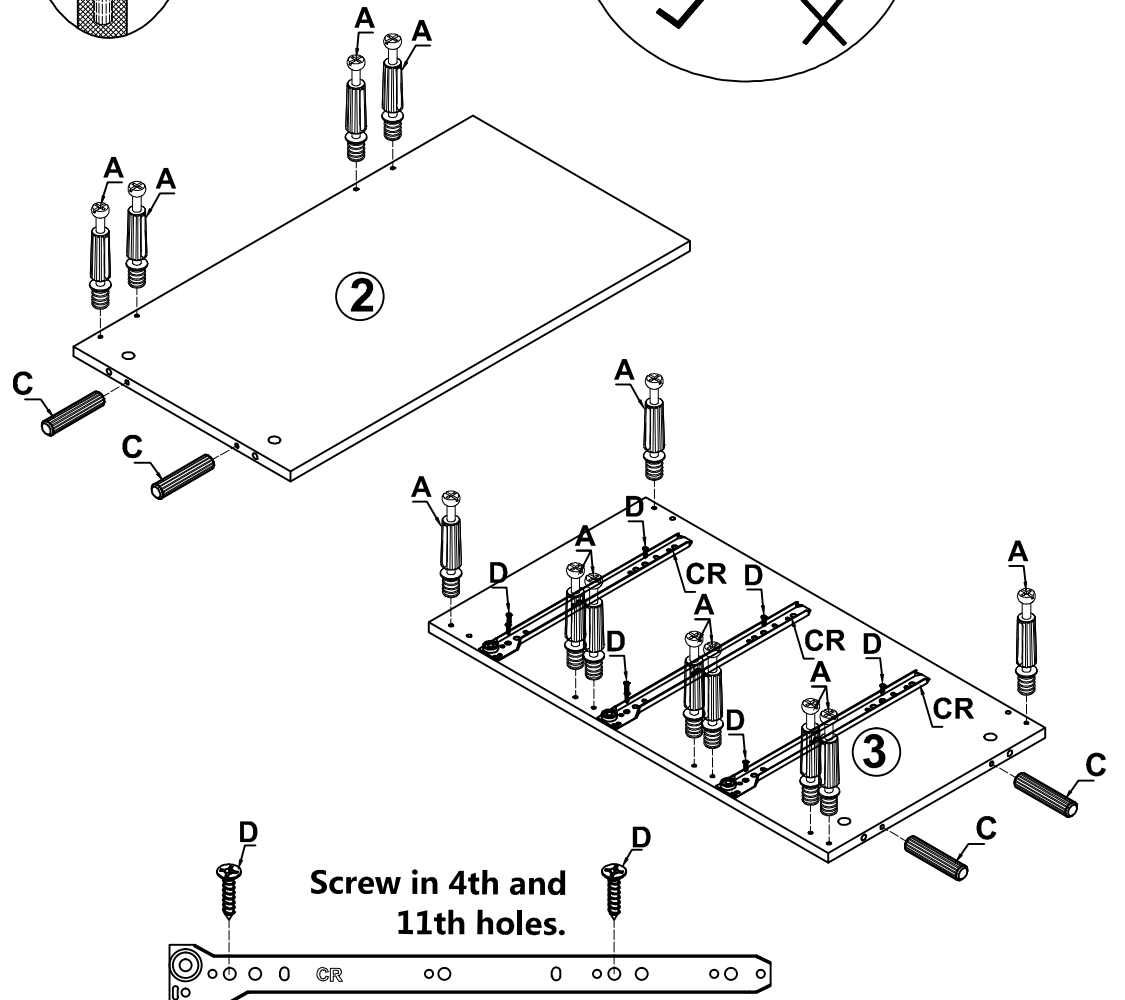
CR=3

D=6



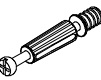

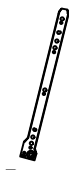

Drawer Runner

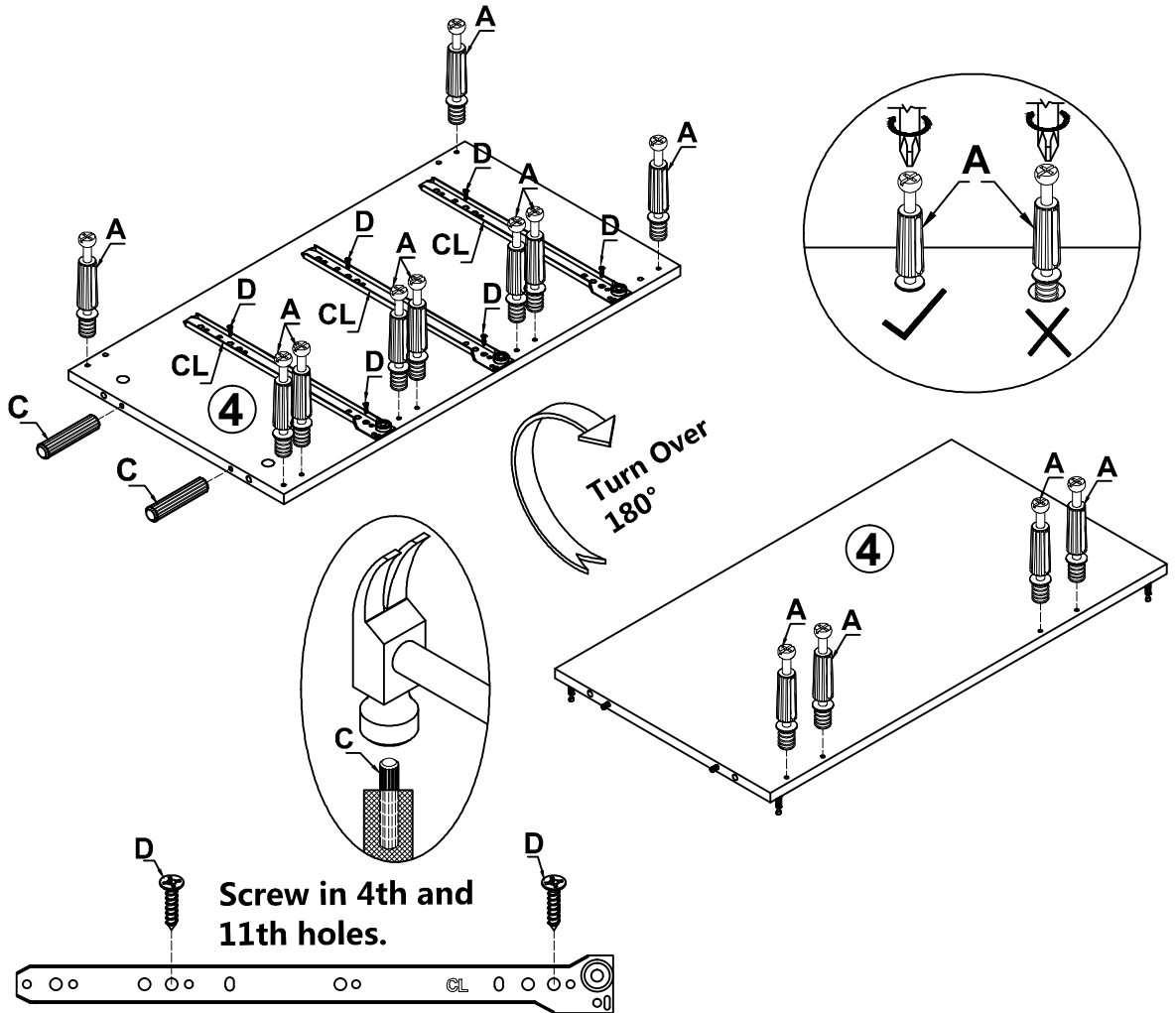
Screw M3.5*14mm



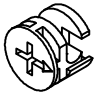
Assembly Instruction

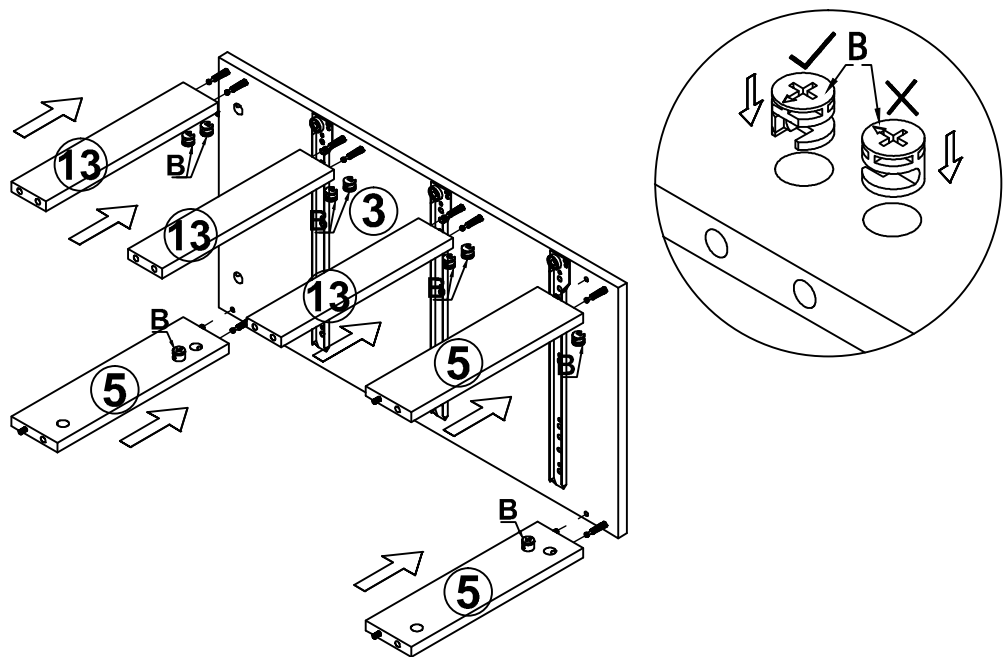
Step 3

A=13	C=2
	
Peg	Dowel
CL=3	D=6
	
Drawer Runner	Screw M3.5*14mm



Step 4

B=9	
	
Lock	



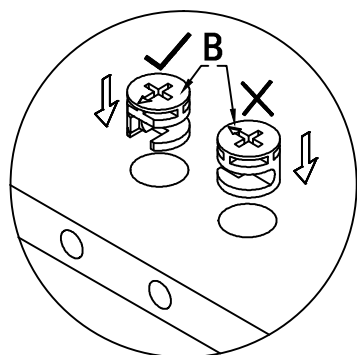
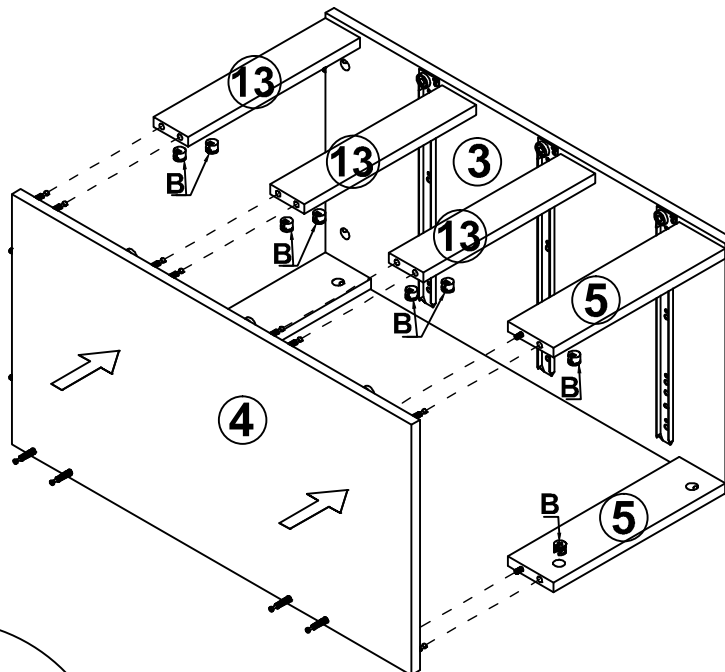
Assembly Instruction

Step 5

B=9



Lock

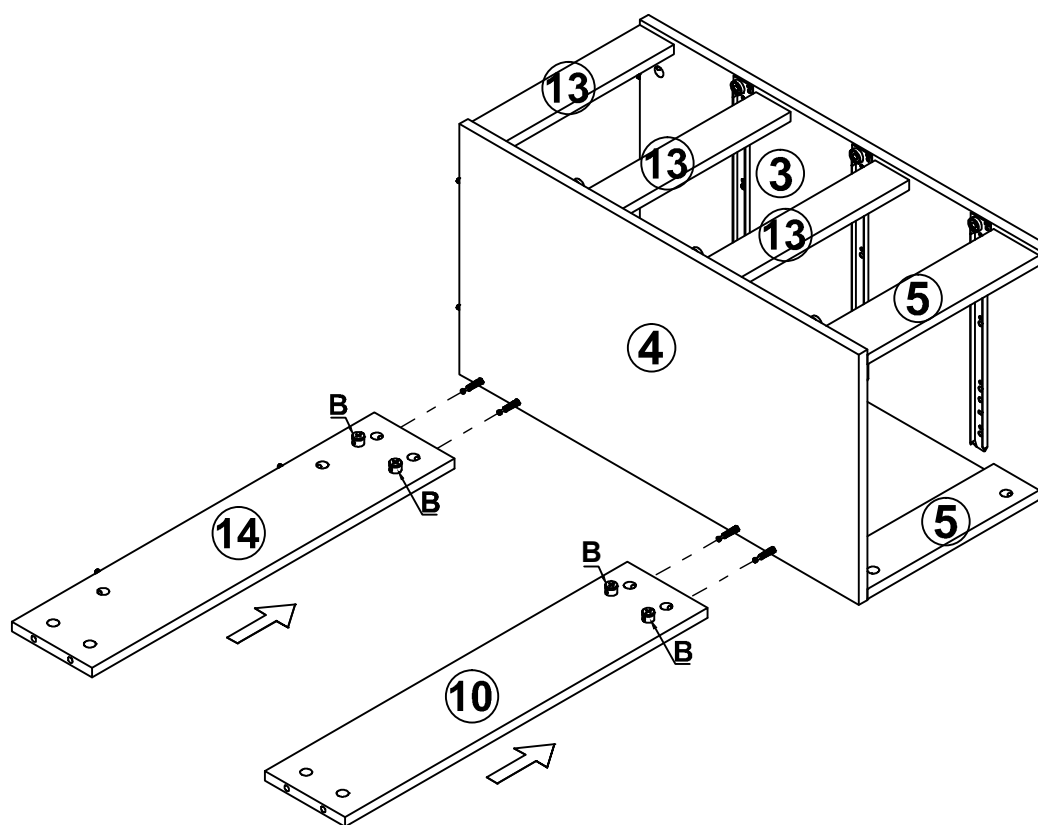


Step 6

B=4



Lock



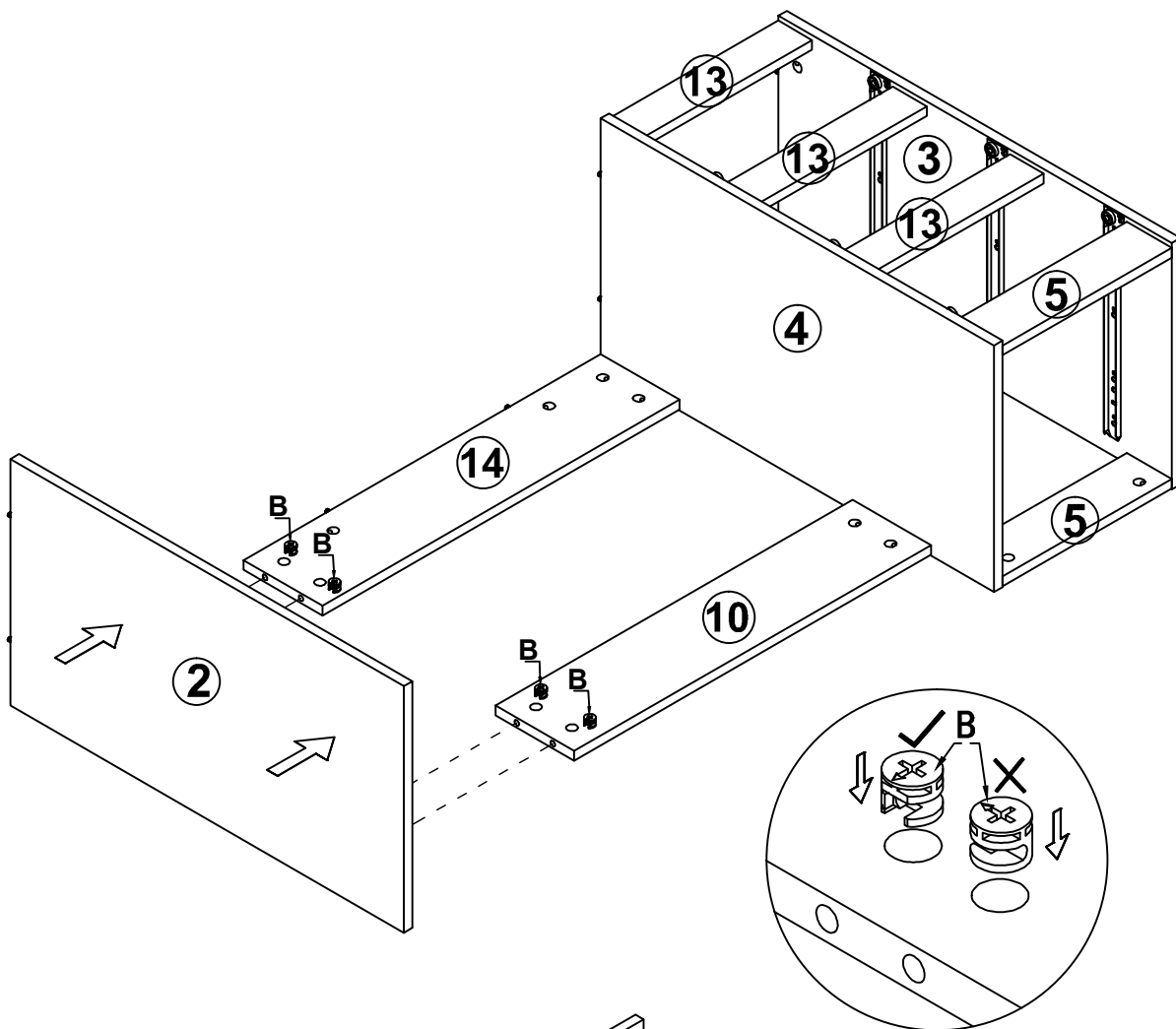
Assembly Instruction

Step 7

B=4



Lock

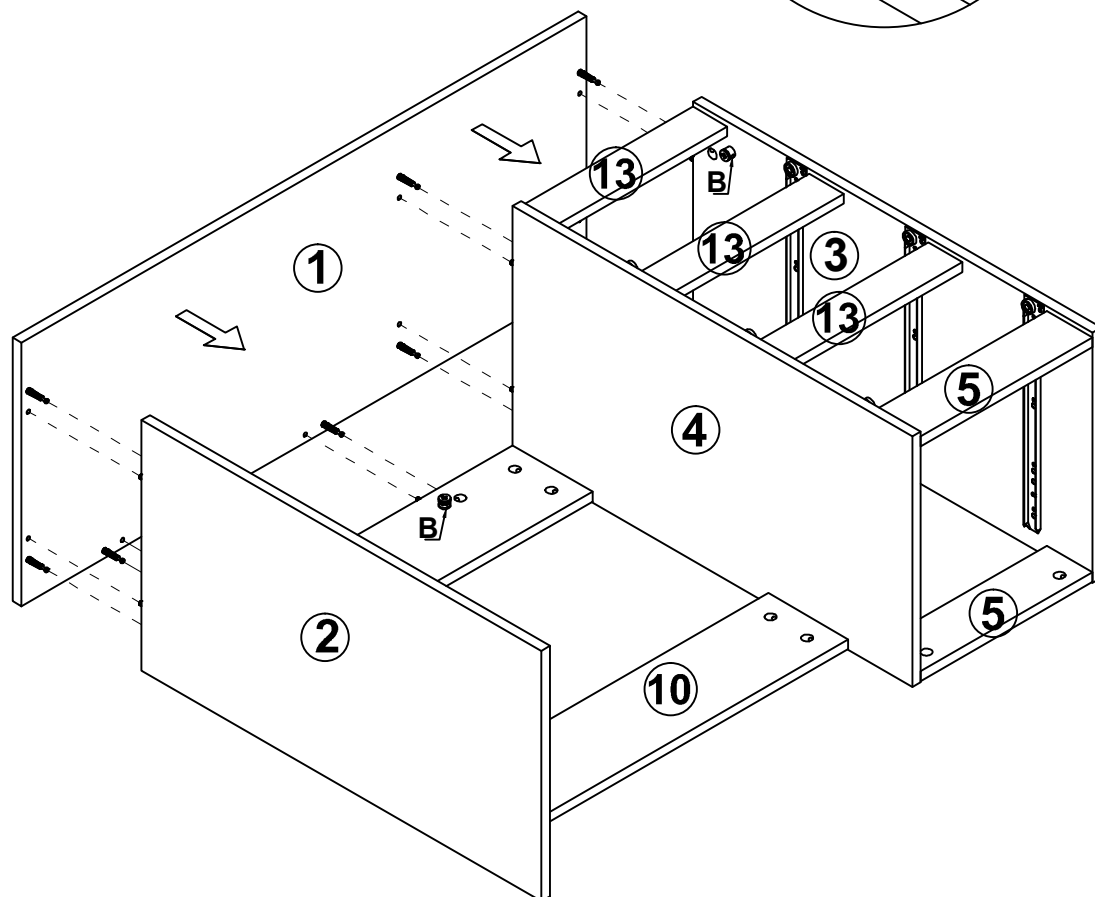


Step 8

B=8



Lock



Assembly Instruction

Step 9

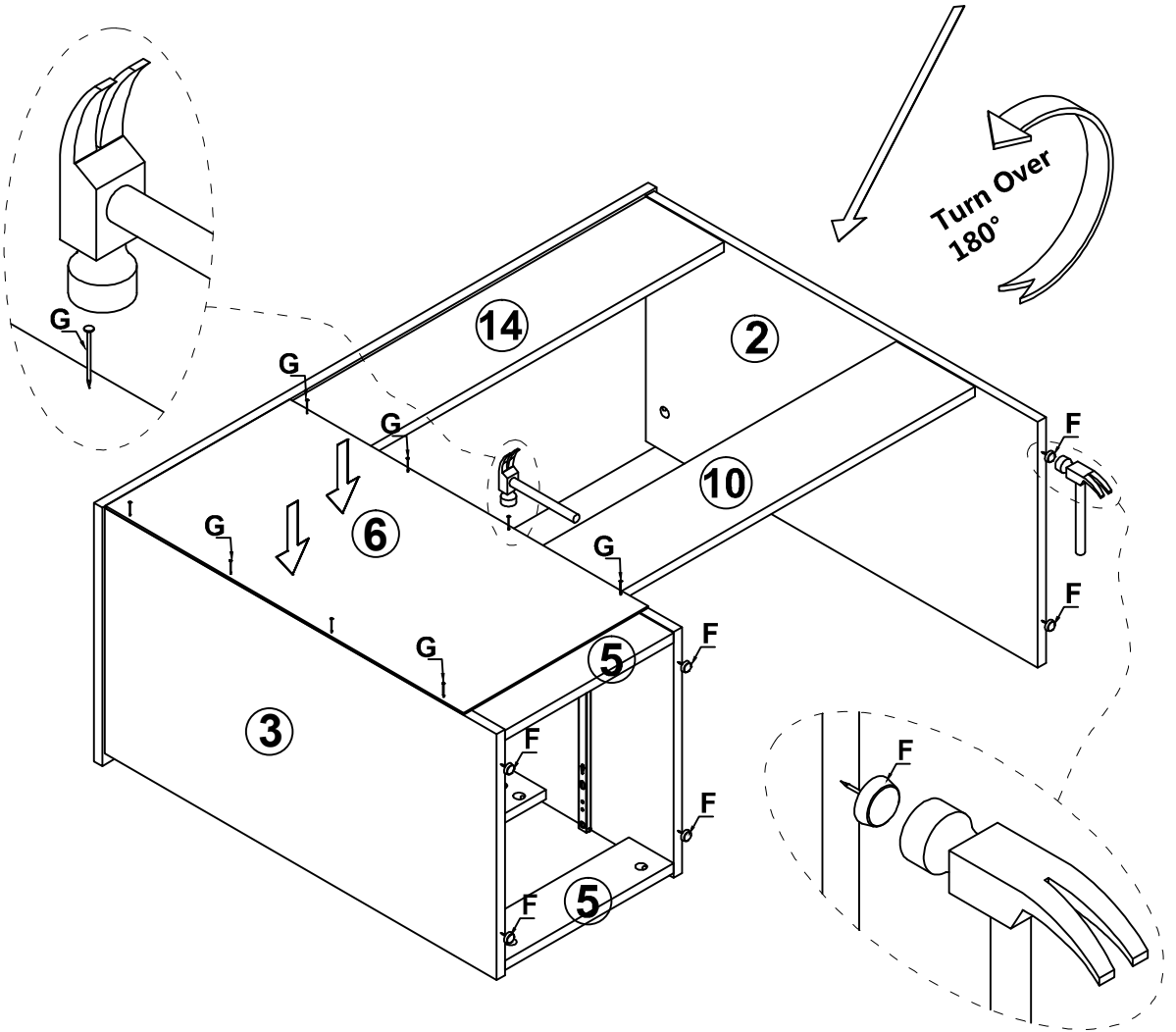
G=8

F=6



Pin

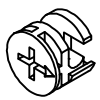
Plastic
Feet



Step 10

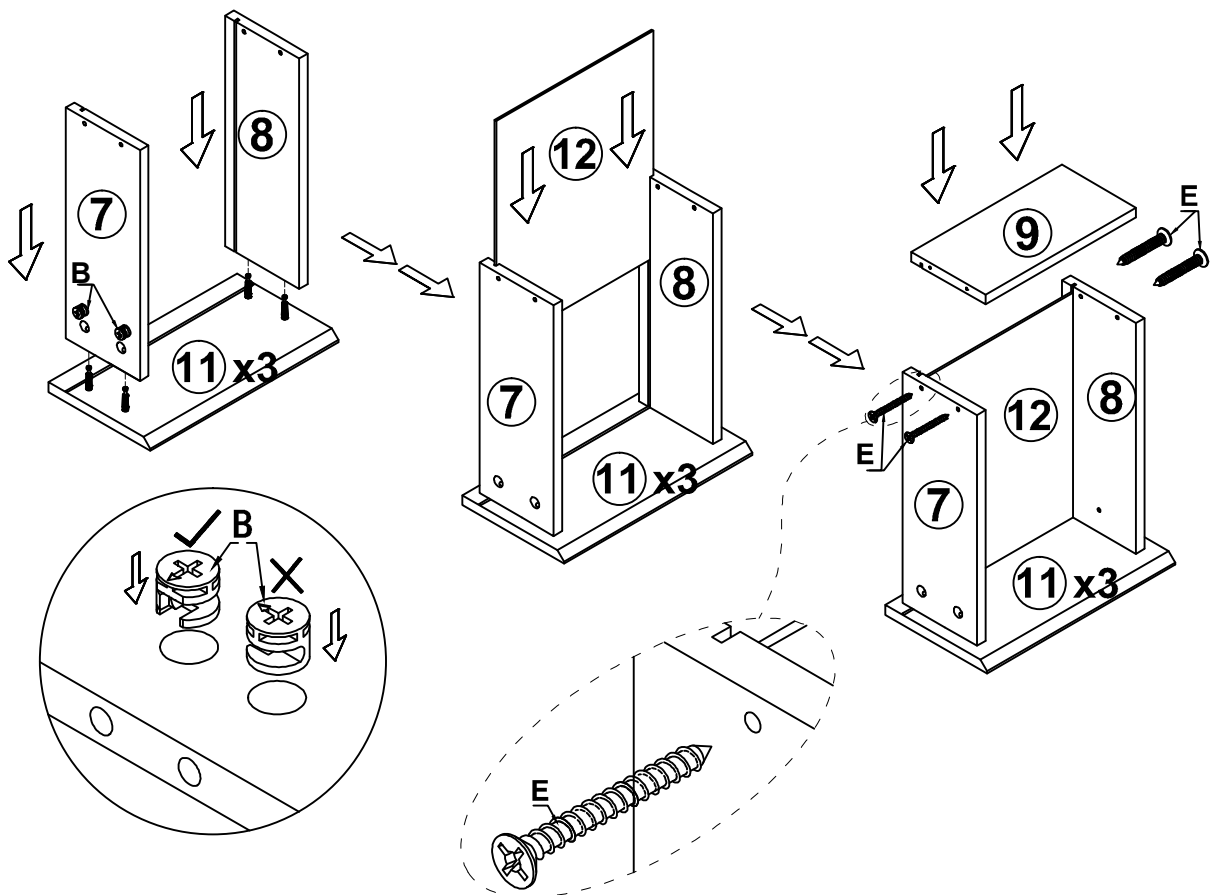
B=12

E=12



Lock

Screw
M4*38



Assembly Instruction

Step 11

D=12



Screw
M3.5*14mm

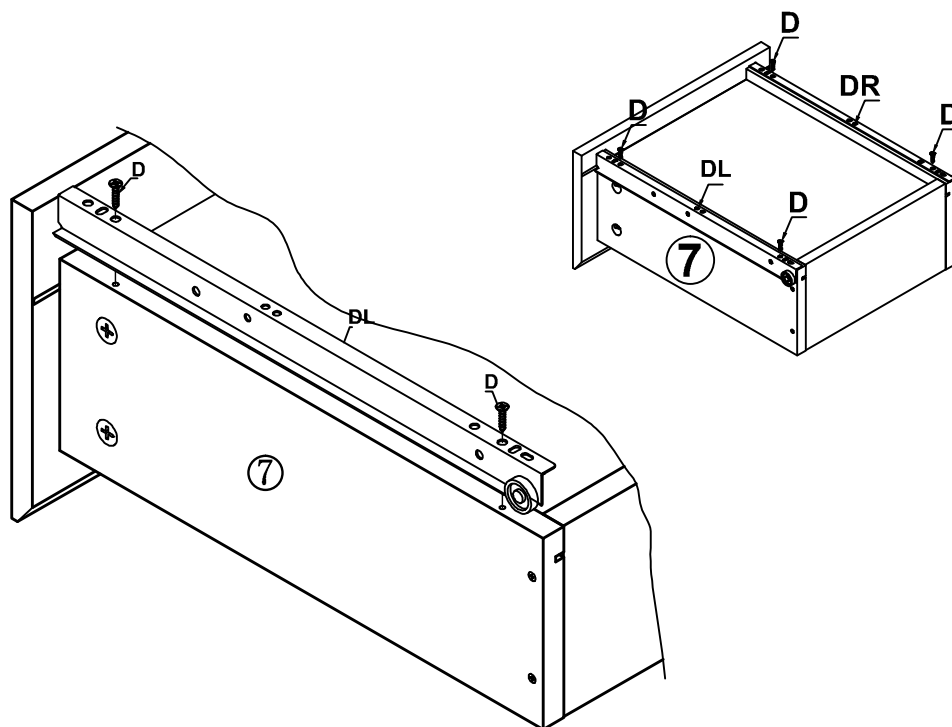
DR=3

DL=3

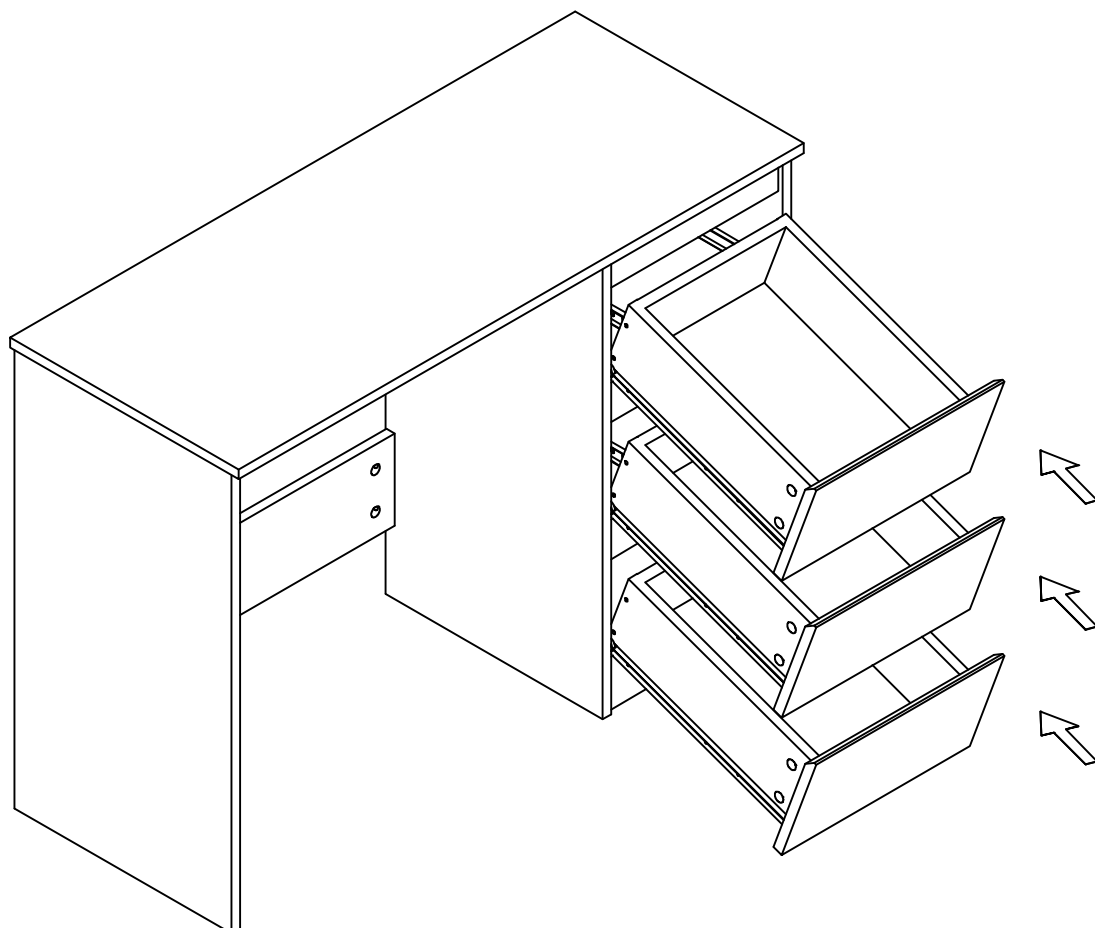


Drawer
Runner

Drawer
Runner



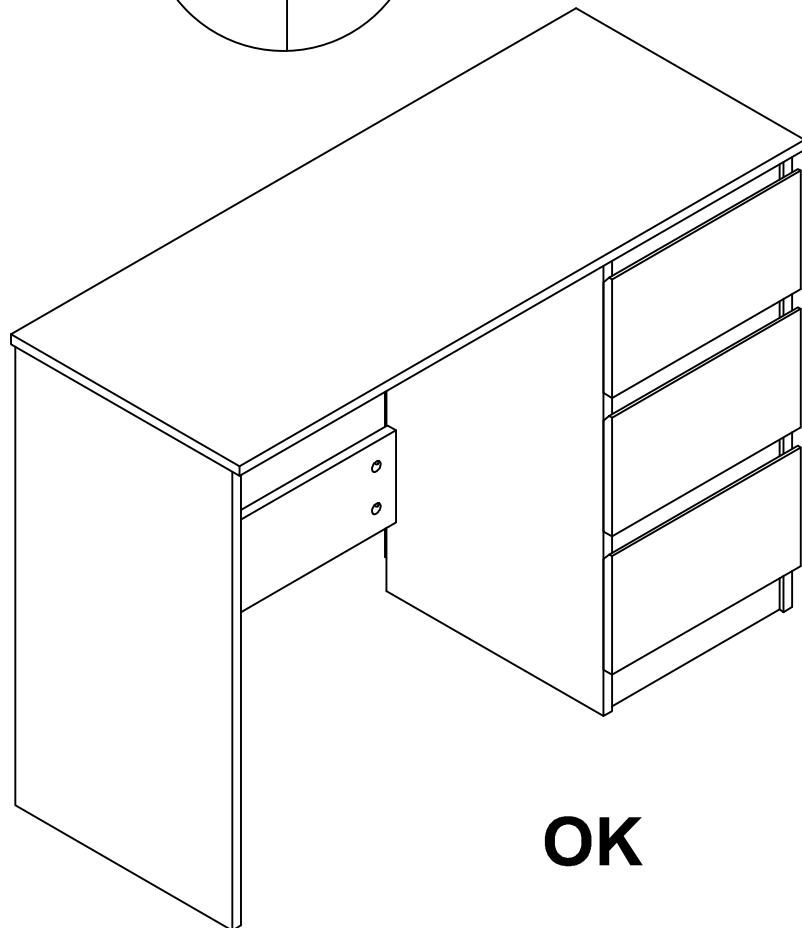
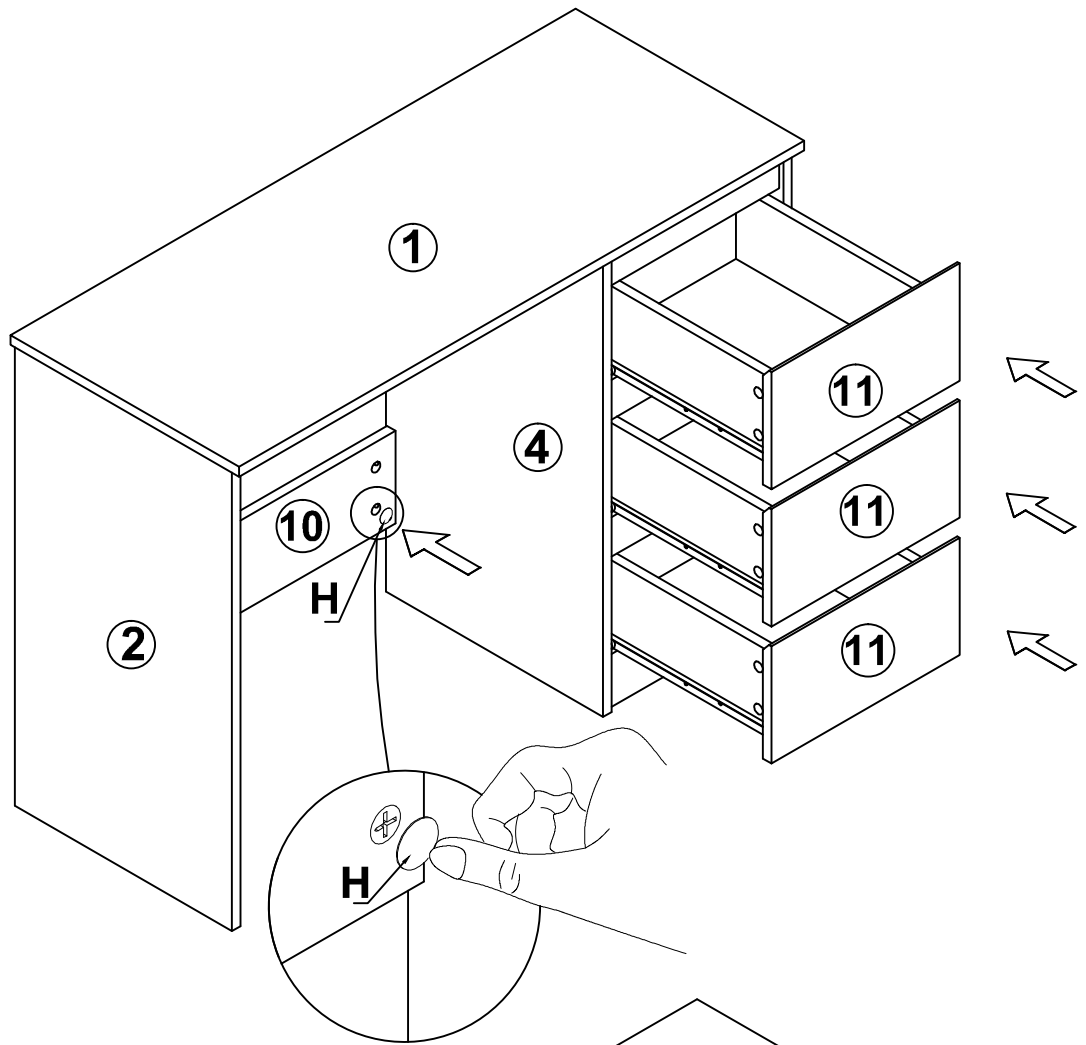
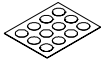
Step 12



Assembly Instruction

Step 13

H=12



OK

spacegeneral.co.nz

Great job. You're done!

**Don 't forget to share how it looks in
your space and tag us on Instagram
@spacegeneralnz**