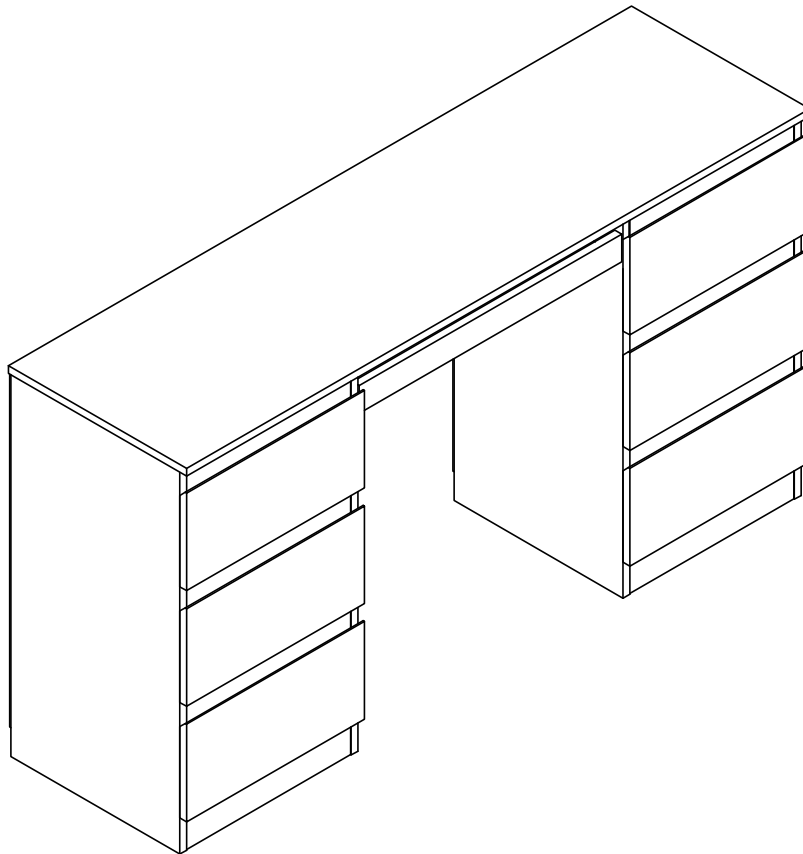


Comptuer Desk

Assembly Instructions - Thank you for your purchase.
Please follow the instructions below for correct assembly.

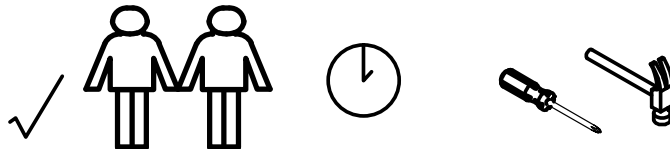
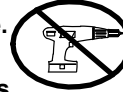


Space General

Safety and Care Advice

IMPORTANT - Please Read This Instruction Carefully Before Assembly.

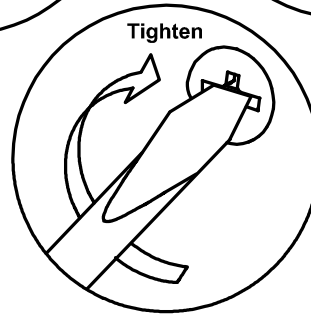
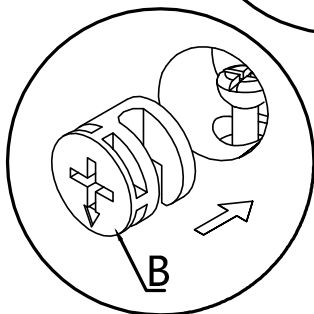
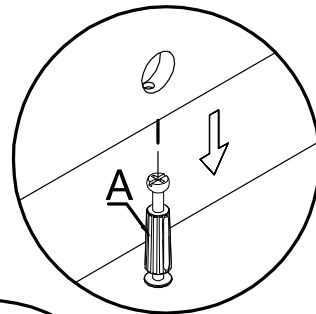
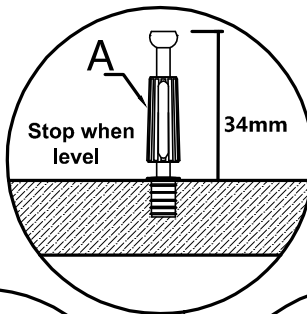
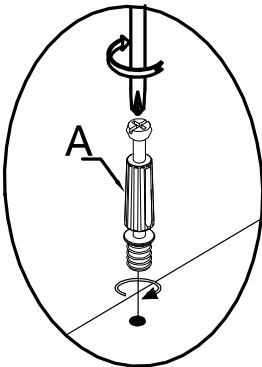
- Check you have all the components and tools listed on page 3.
- Do not stand or put weight on the product, this could cause damage.
- Do not use power drill/drivers for assembly, or the unit may be damaged.
- Remove all settings from the plastic bags and separate them into their groups.
- Assemble the item as close to it's intended position (in the same room) as possible.
- Assemble on a soft level surface to avoid damaging the unit.
- Dispose of all packaging carefully and responsibly.
- Keep children and animals away from the work area, small parts could choke if swallowed.
- Parts of the assembly will be easier with 2 people.



CARE and MAINTENANCE

- Only clean using a damp cloth and mild detergent, do not use bleach or abrasive cleaners.
- From time to time check that there are no loose screws on this unit.
- This product should not be discarded with household waste. Take to your local authority waste disposal center.

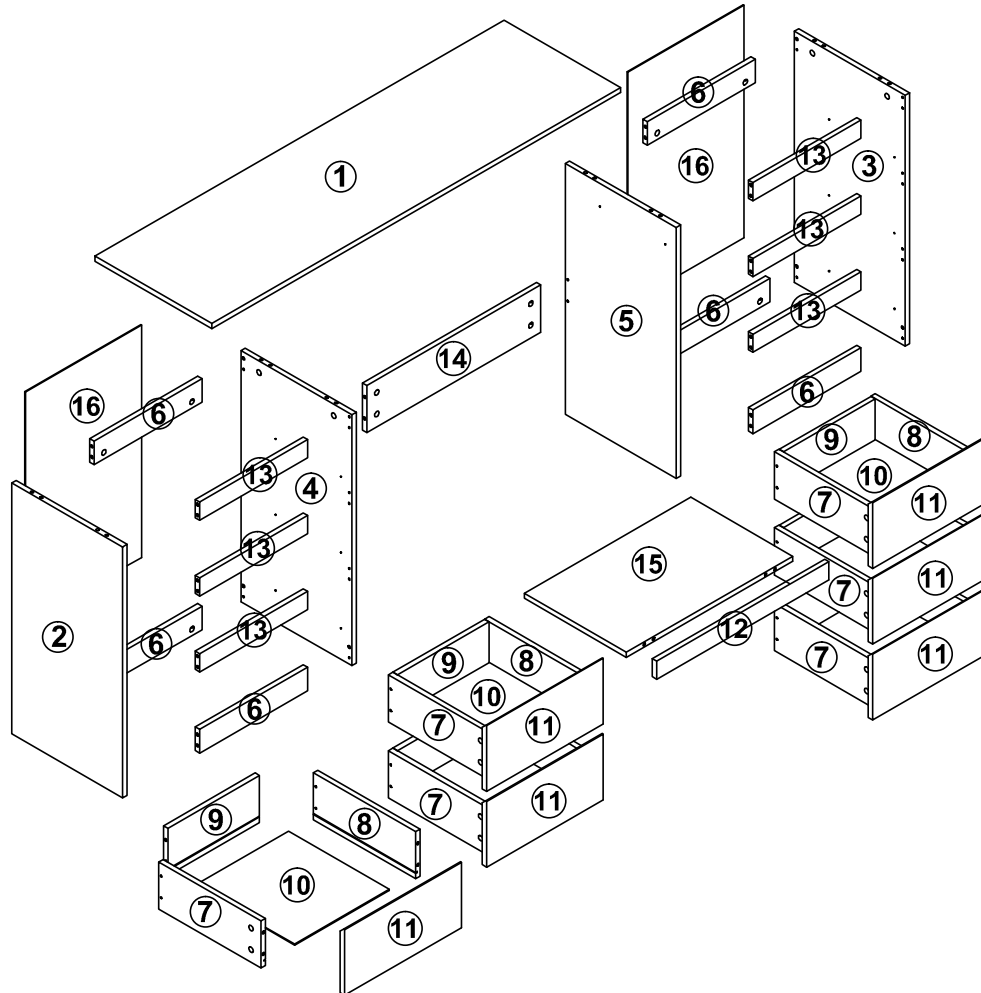
General Hints & Tips

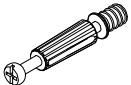

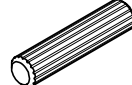





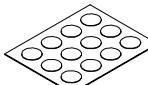


Components and Tools

IMPORTANT - Please Check If You Have All The Components and Tools.

Note: The quantities below are the correct amount to complete the assembly. In some cases more pieces may be supplied than are required.



A=74  Peg M6*34mm	B=74  Lock M15*12mm	C=22  Dowel M6*30mm	D=56  Screw M3.5*14mm	E=24  Screw M4*38	F=8  Plastic Feet
G=16  Pin	CR CL DR DL=7  Drawer Runner	H=10 			

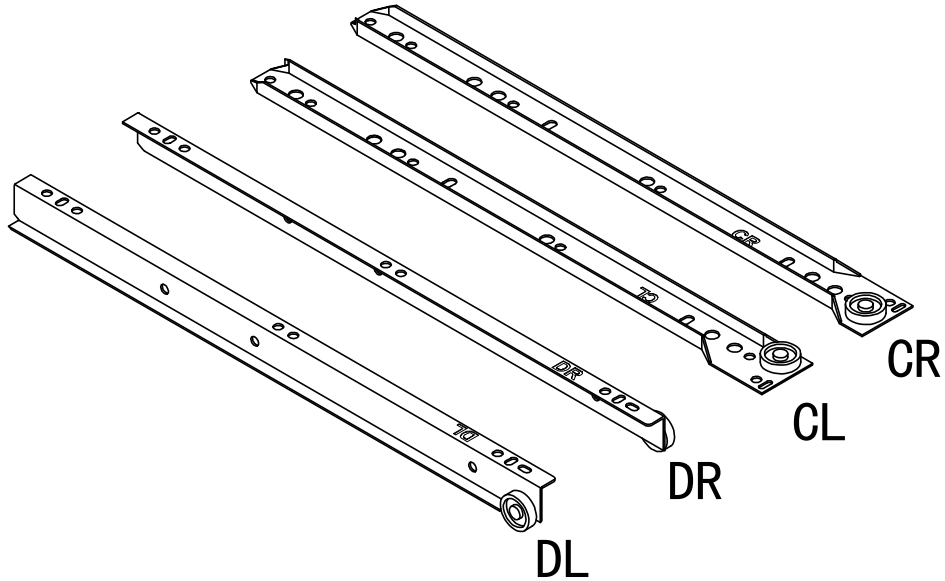
1OF2 ①, ⑨ X6, ⑩ X6, ⑪ X6, ⑫, ⑭, ⑯ X2, FITTING KIT

2OF2 ②, ③, ④, ⑤, ⑥ X6, ⑦ X6, ⑧ X6, ⑬ X6, ⑮,

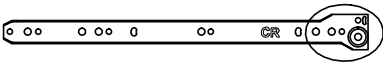
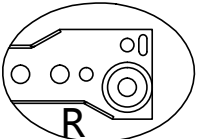
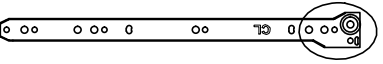
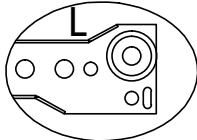

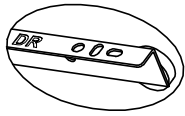
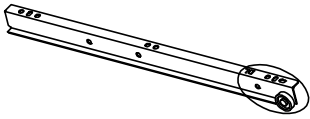
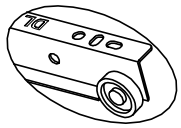
Drawer Runner Instruction

IMPORTANT - Please Read It Carefully.

NOTE: 1 PAIR DRAWER RUNNER INCLUDES 4 PIECES.

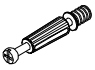



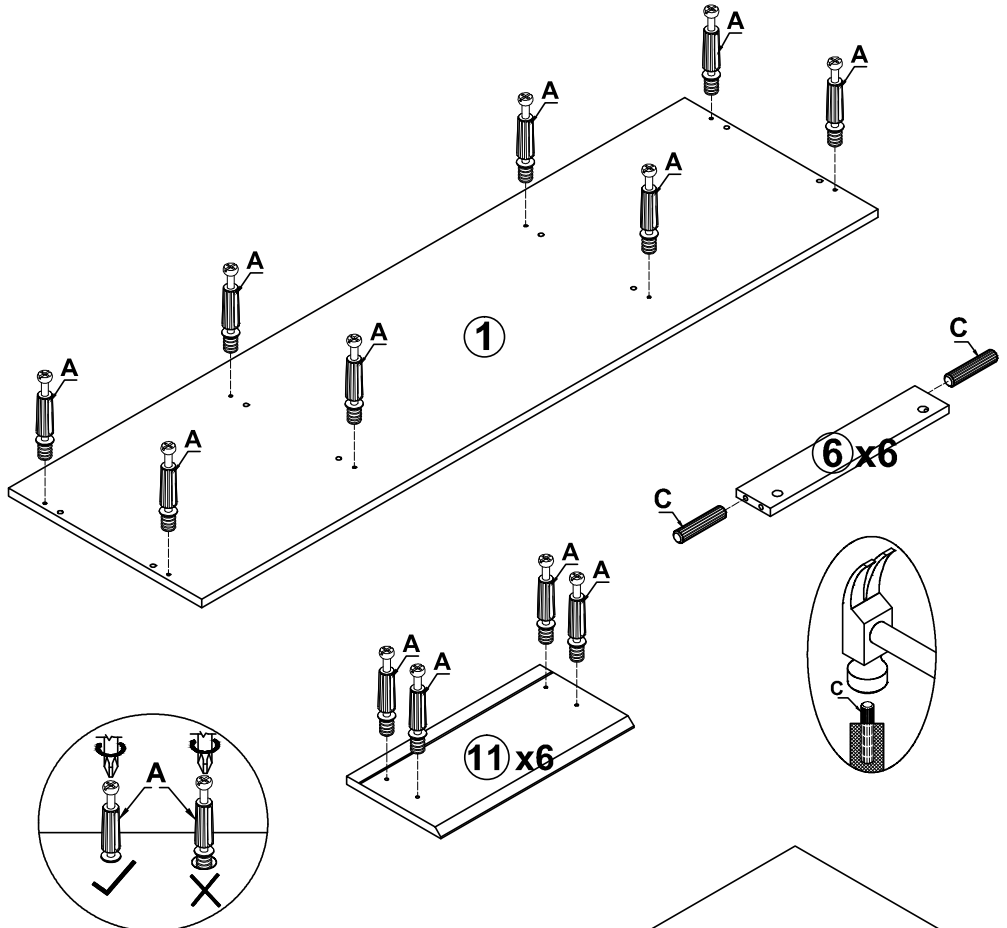
Fittings (not to scale)

NO.	DESCRIPTION	QTY		
CR	Outer Drawer Runner - Right	7PCS		
CL	Outer Drawer Runner - Left	7PCS		
DR	Inner Drawer Runner - Right	7PCS		
DL	Inner Drawer Runner - Left	7PCS		

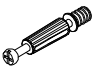



Assembly Instruction

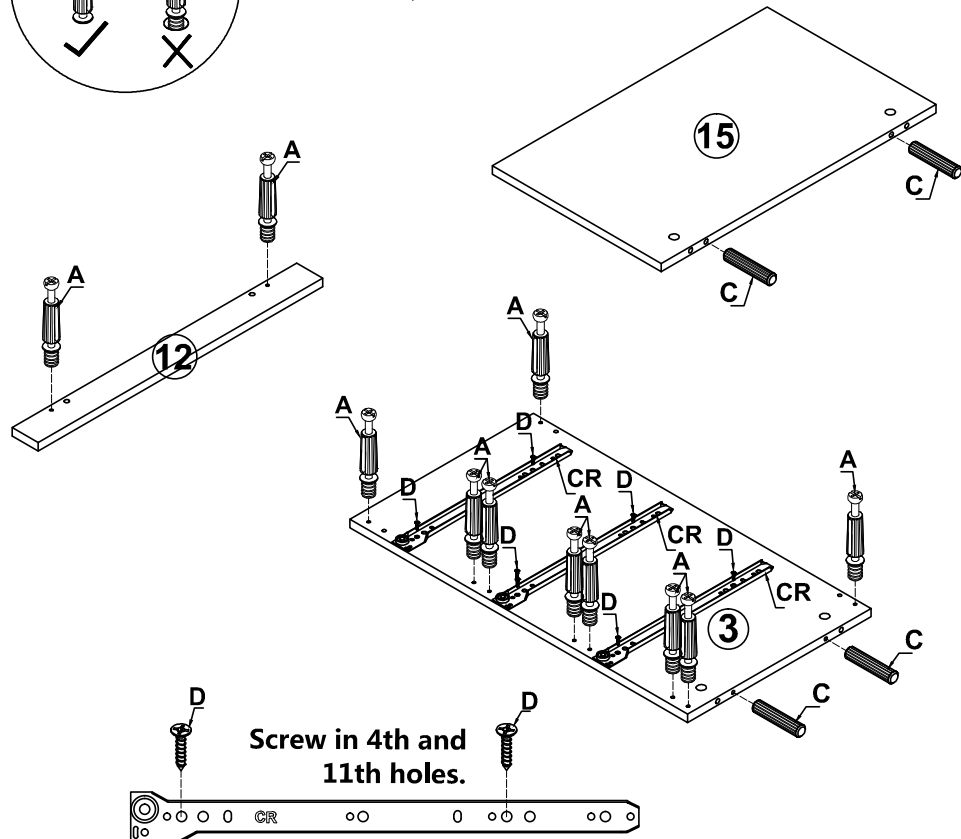
Step 1

A=32	C=12
	
Peg	Dowel



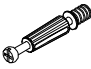



Step 2

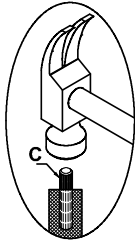
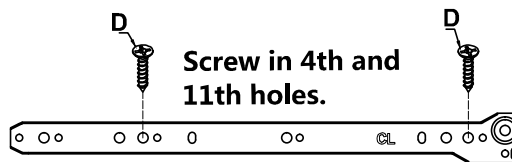
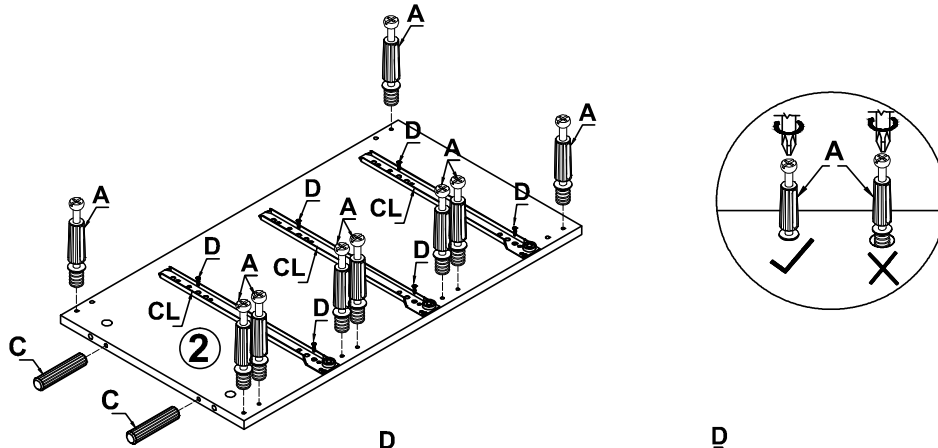
A=11	C=4
	
Peg	Dowel
CR=3	D=6
	
Drawer Runner	Screw M3.5*14mm



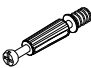




Assembly Instruction

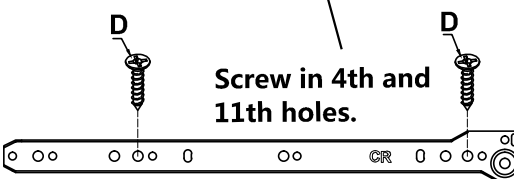
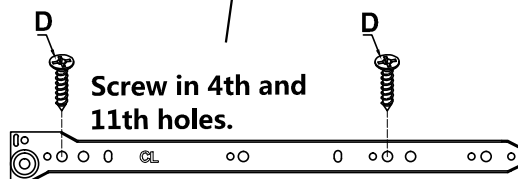
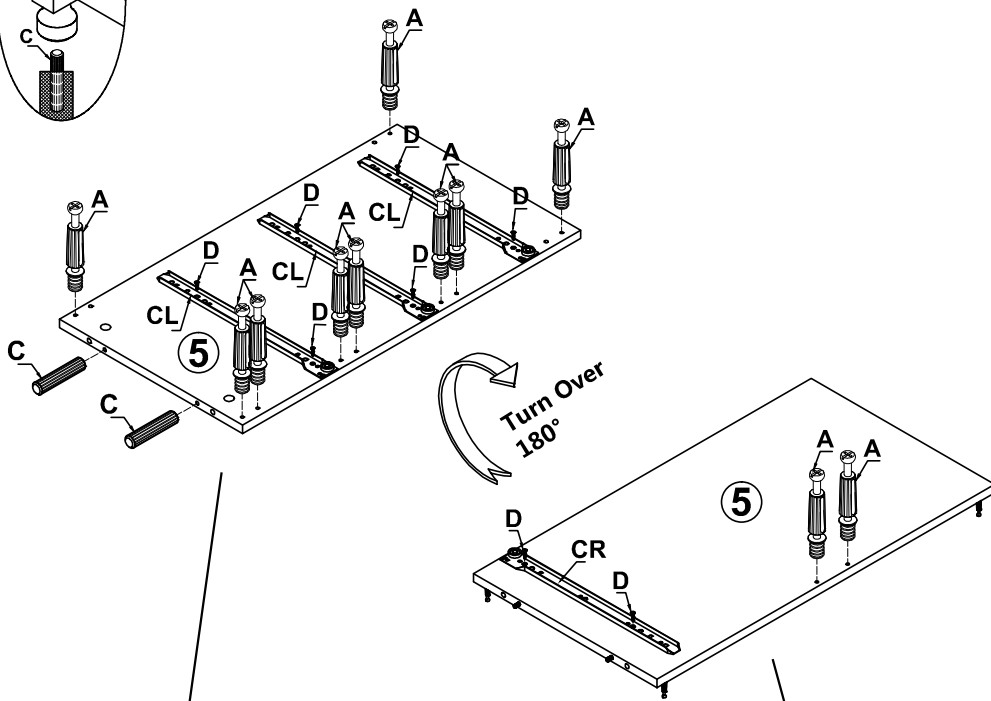
Step 3

A=9	C=2
	
Peg	Dowel
CL=3	D=6
	
Drawer Runner	Screw M3.5*14mm



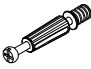




Step 4

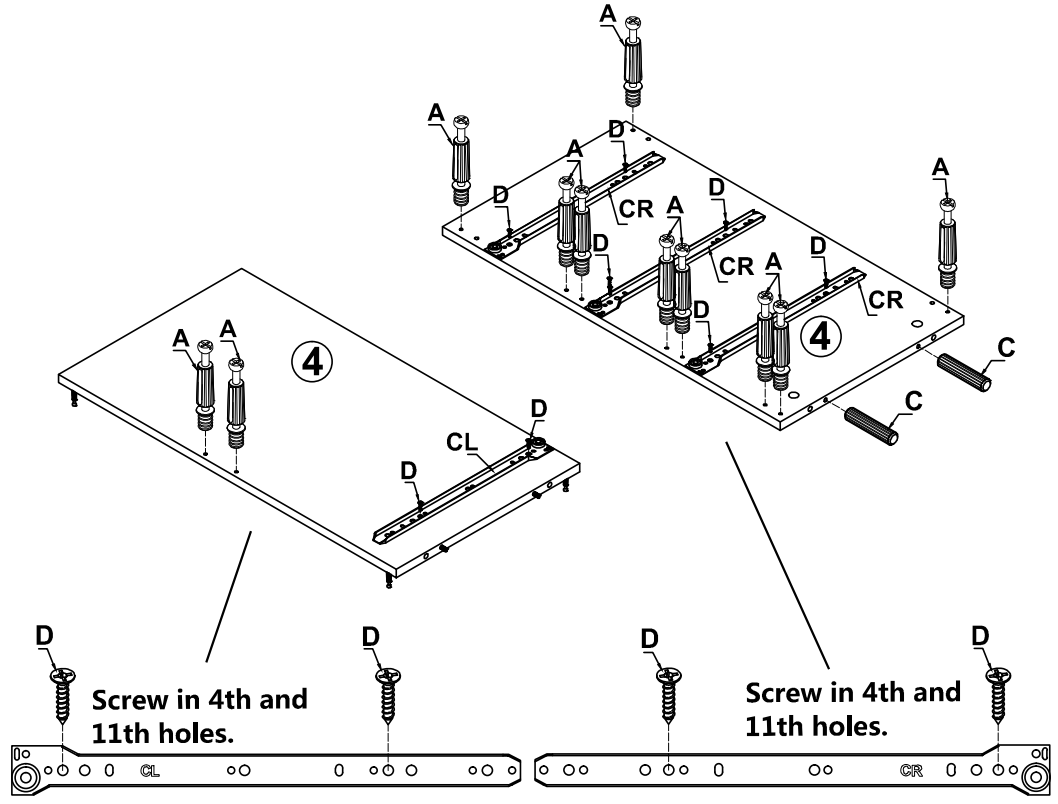
A=11	C=2
	
Peg	Dowel
CL=3	D=8
	
Drawer Runner	Screw M3.5*14mm
CR=1	
	
Drawer Runner	




Assembly Instruction

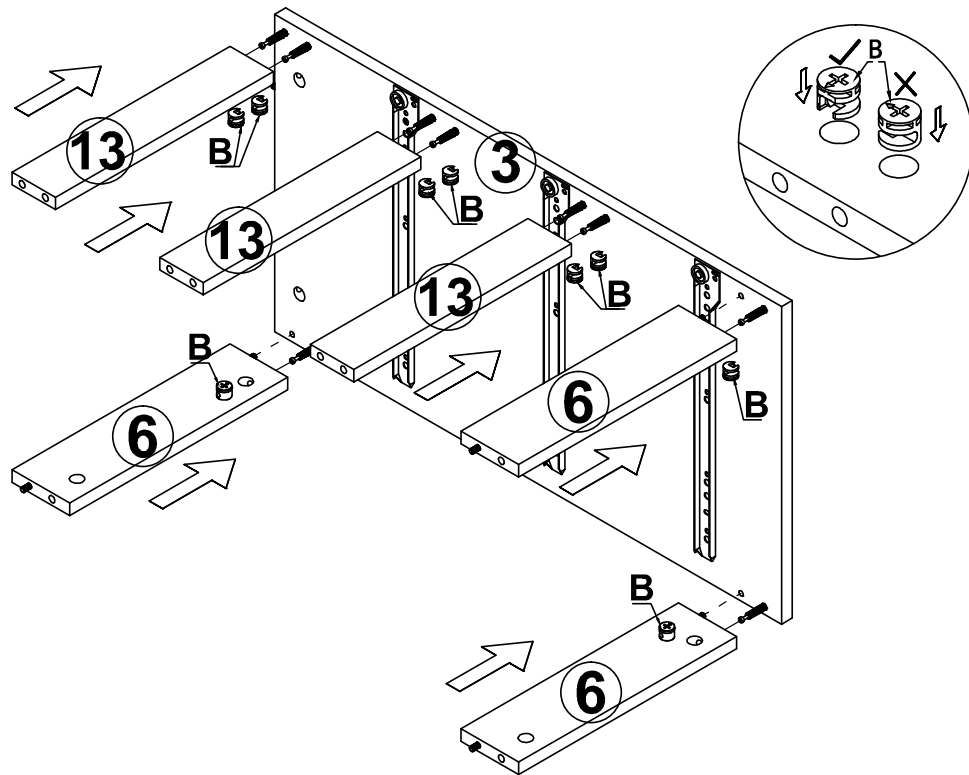
Step 5

A=11	C=2
	
Peg	Dowel
CL=1	D=8
	
Drawer Runner	Screw M3.5*14mm
CR=3	
	
Drawer Runner	



Step 6

B=9	
	
Lock	



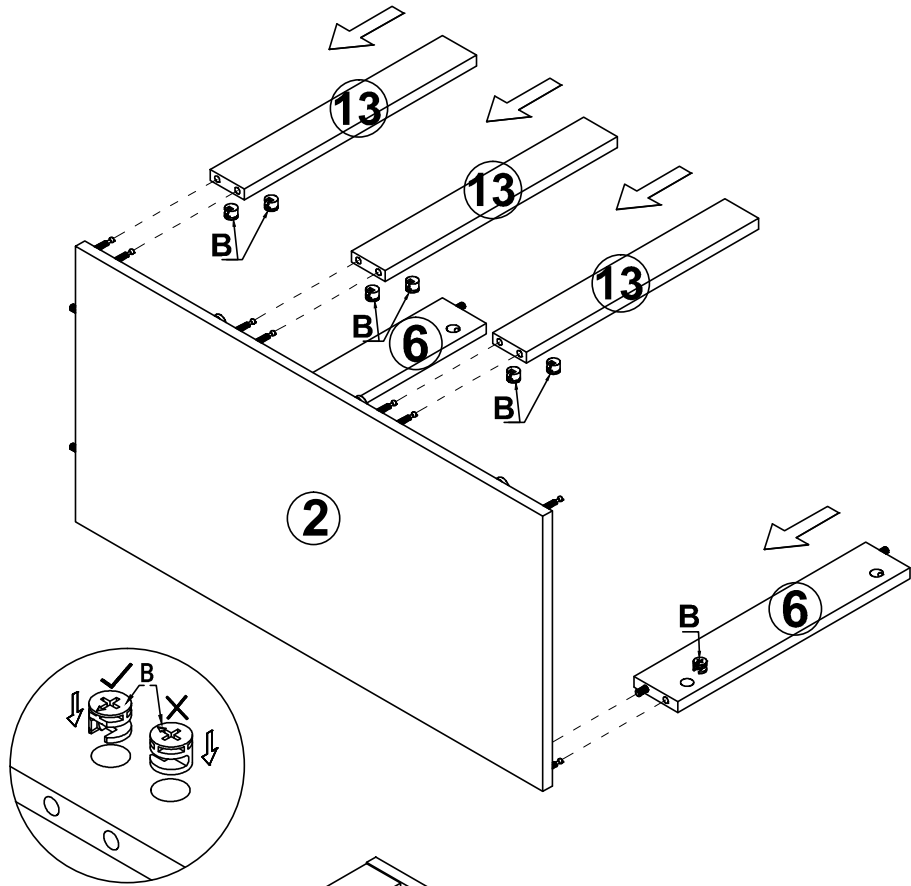
Assembly Instruction

Step 7

B=8



Lock

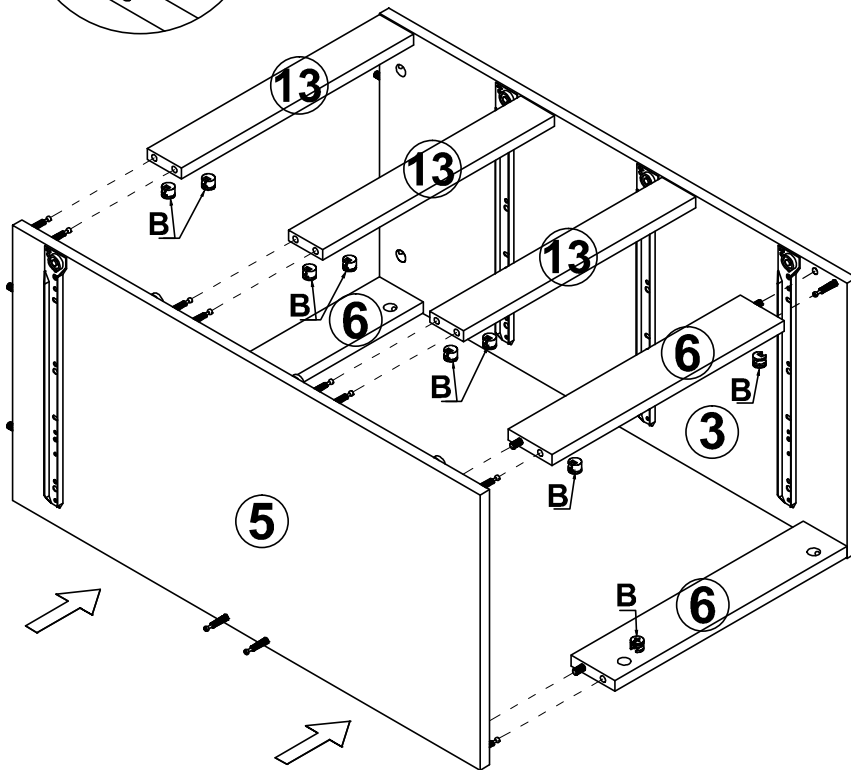


Step 8

B=10



Lock



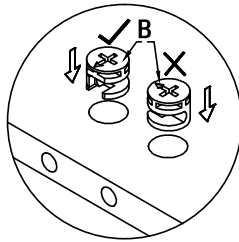
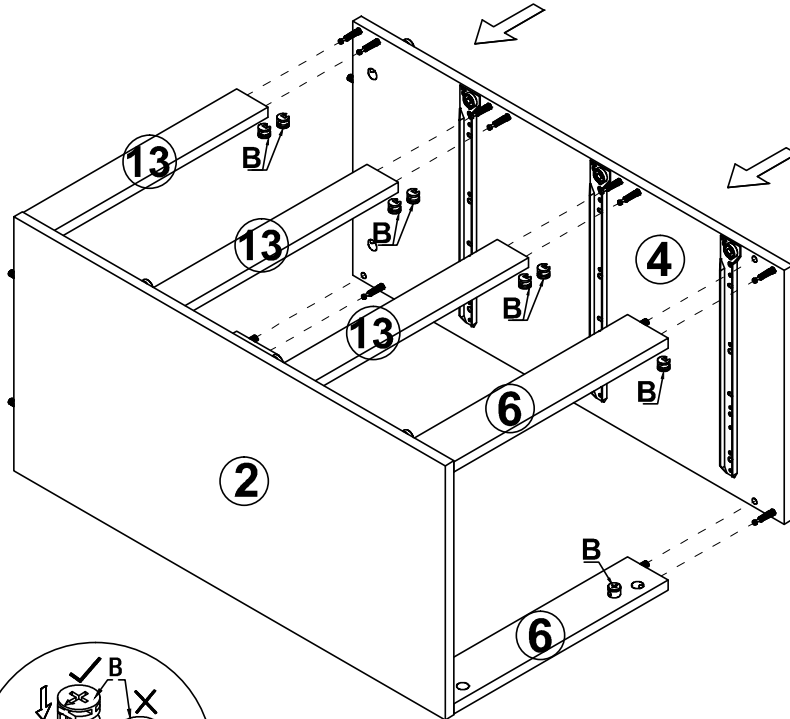
Assembly Instruction

Step 9

B=9



Lock

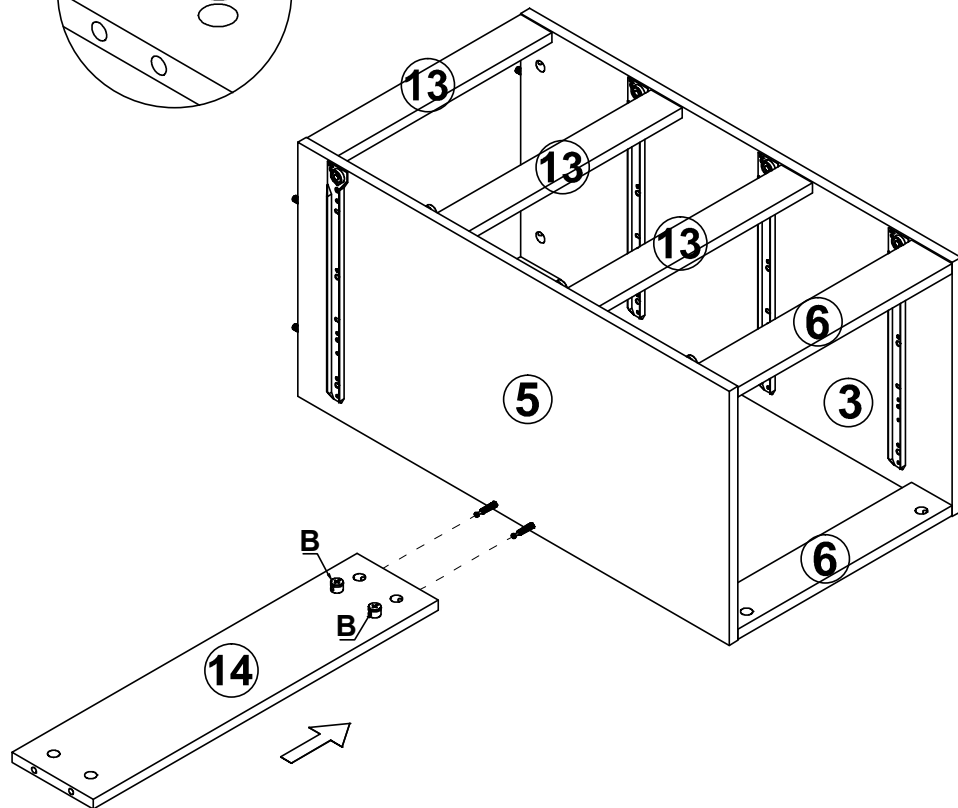


Step 10

B=2



Lock



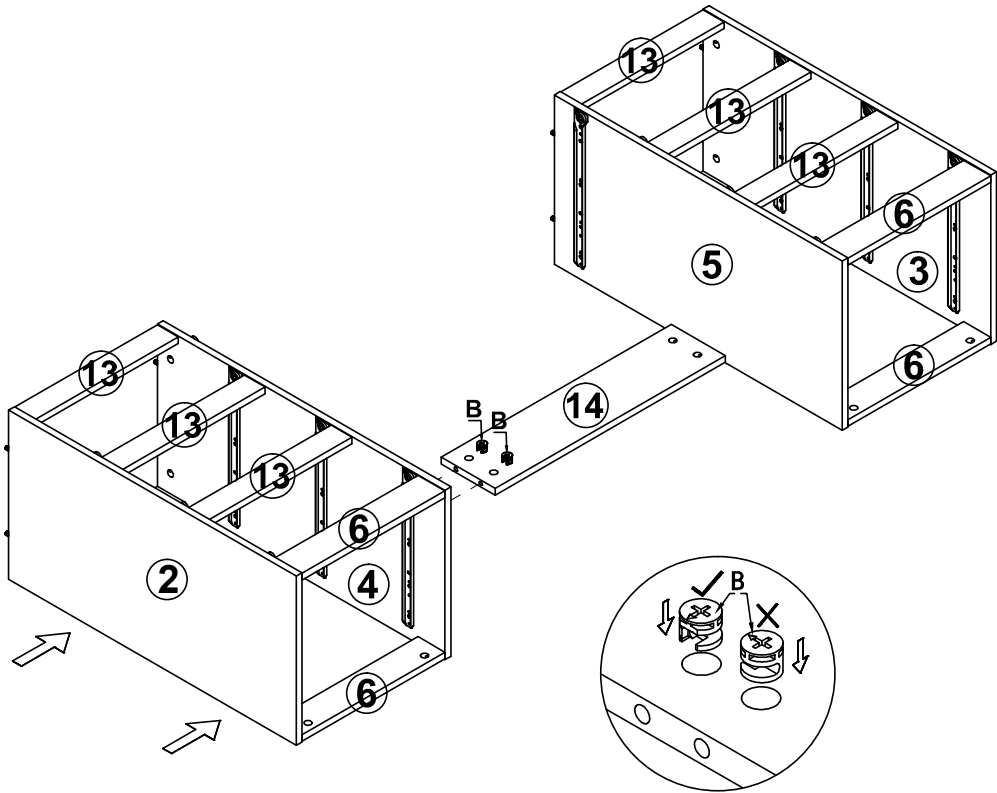
Assembly Instruction

Step 11

B=2



Lock

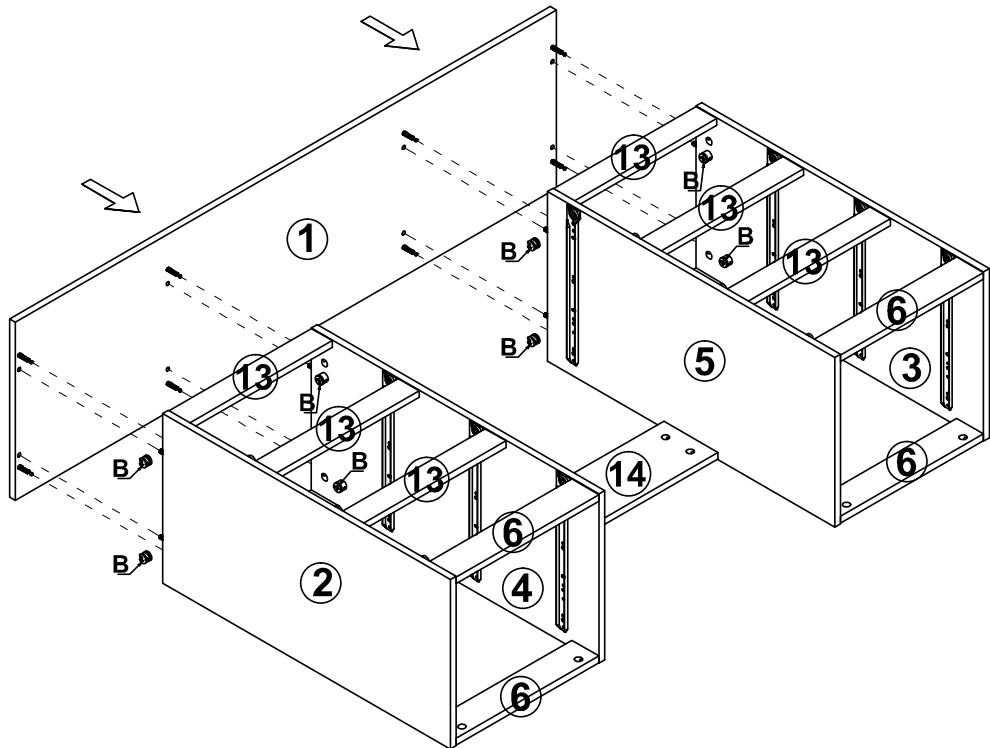


Step 12

B=8



Lock



Assembly Instruction

Step 13

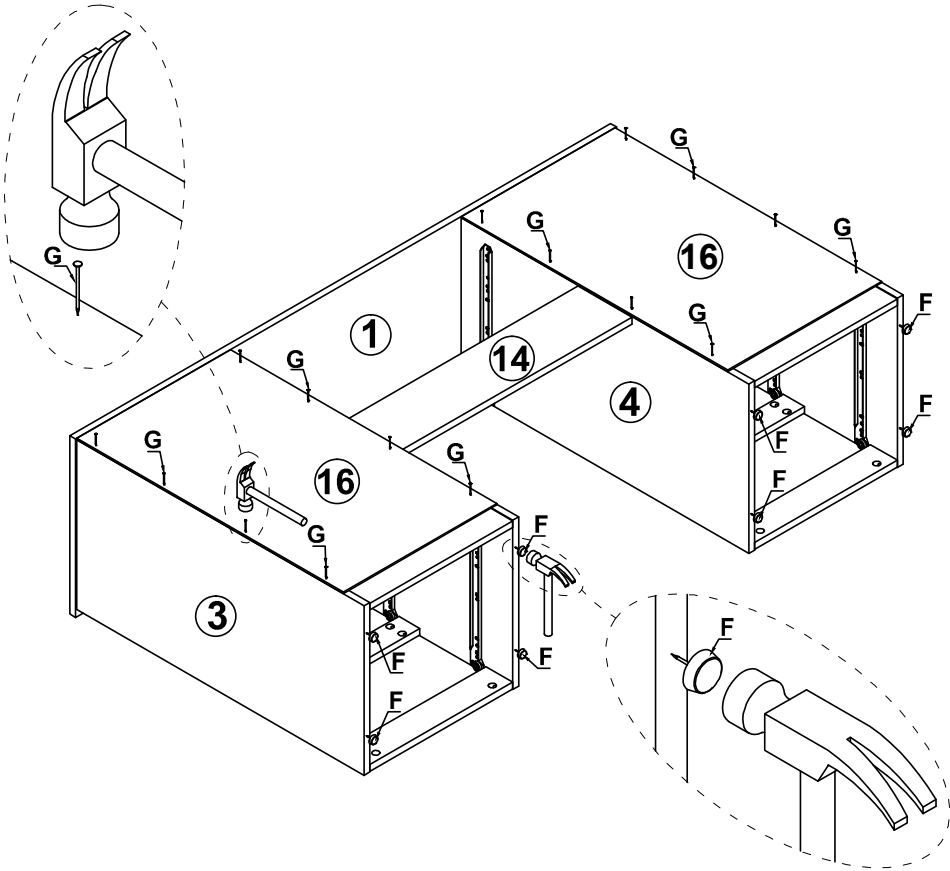
G=16

F=8



Pin

Plastic
Foot



Step 14

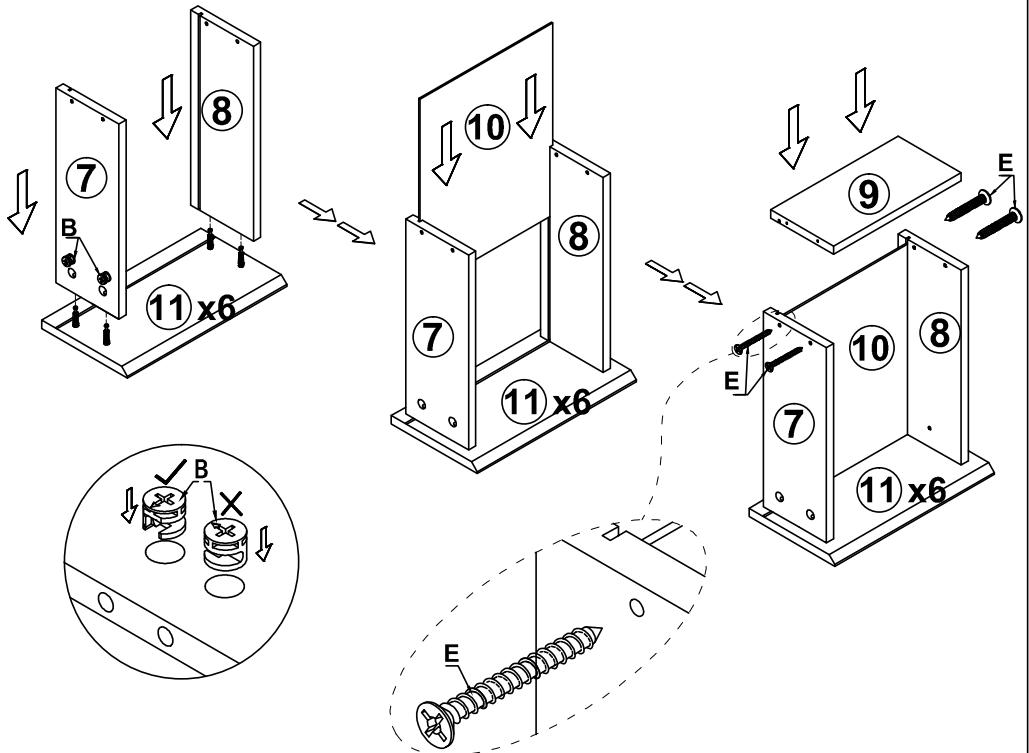
B=24

E=24






Lock

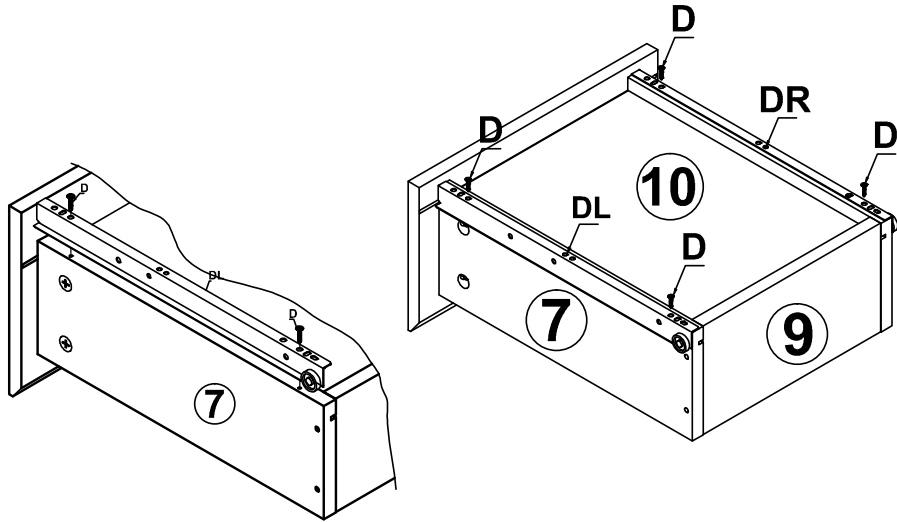
Screw
M4*38




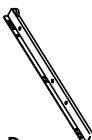


Assembly Instruction

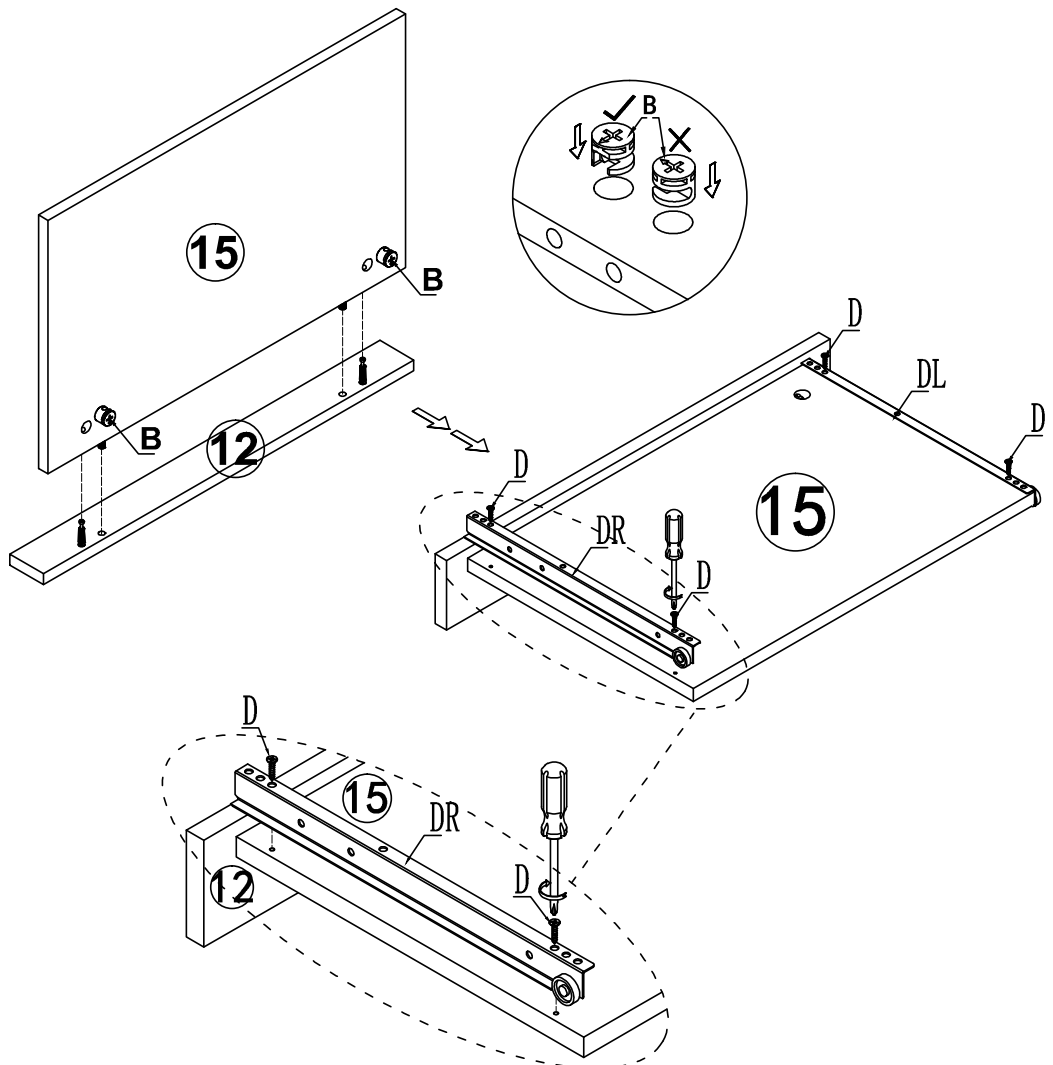
Step 15

D=24	DL=6
	
Screw M3.5*14mm	Drawer Runner
DR=6	
	
Drawer Runner	



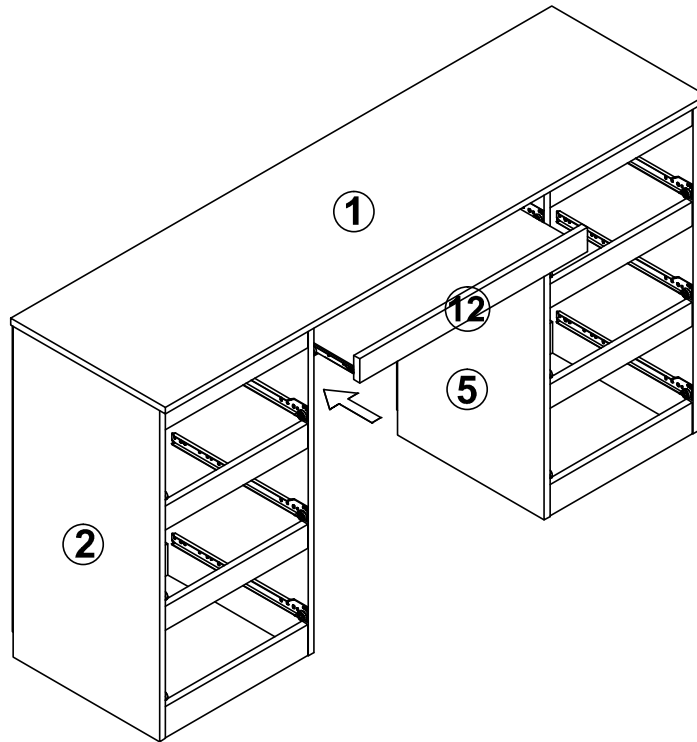
Step 16

B=2	DR=1
	
Lock	Drawer Runner
DL=1	D=4
	
Drawer Runner	Screw M3.5*14mm

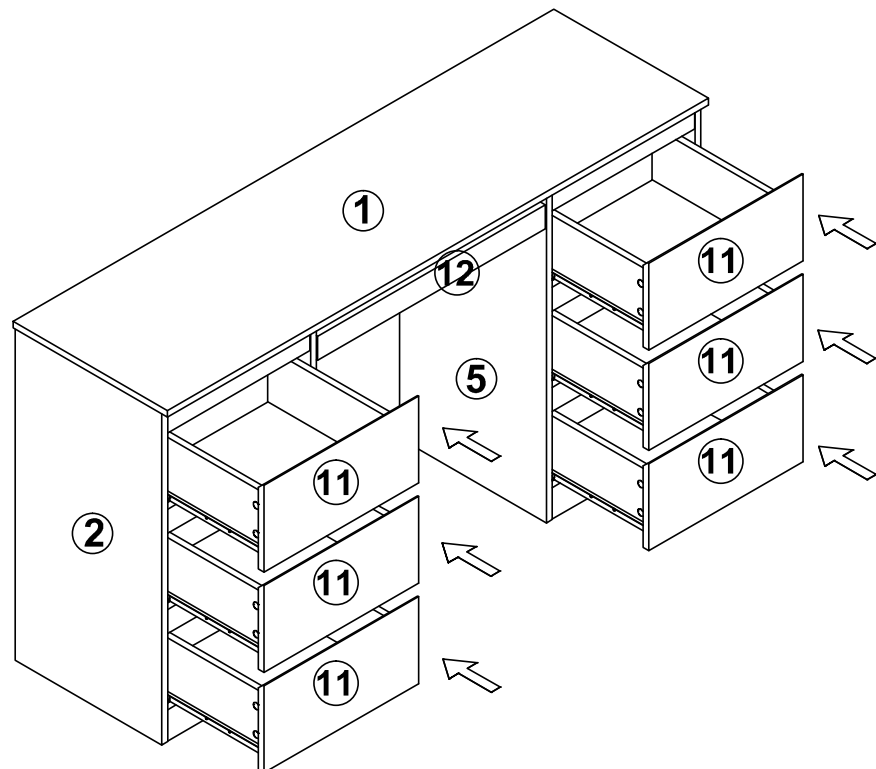


Assembly Instruction

Step 17



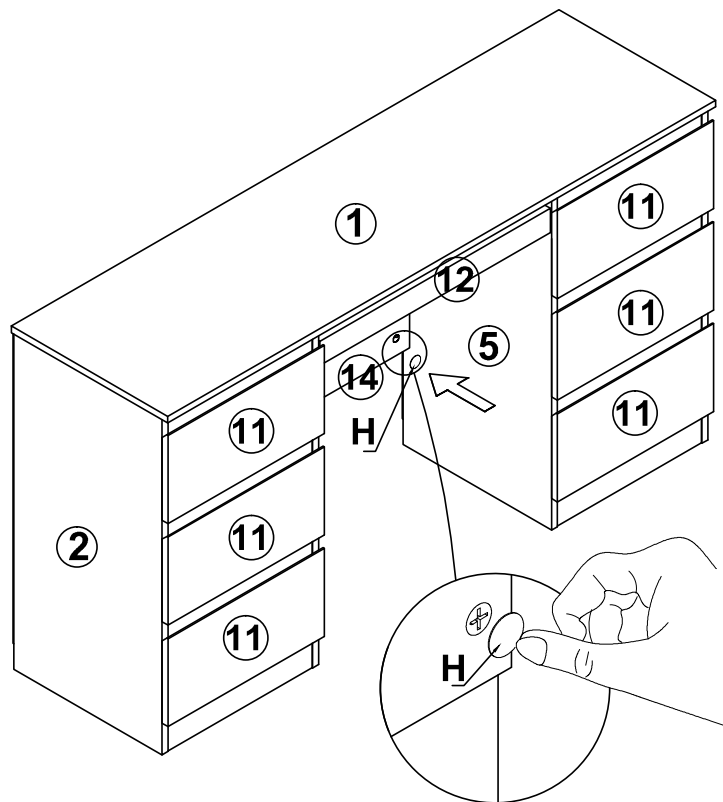
Step 18



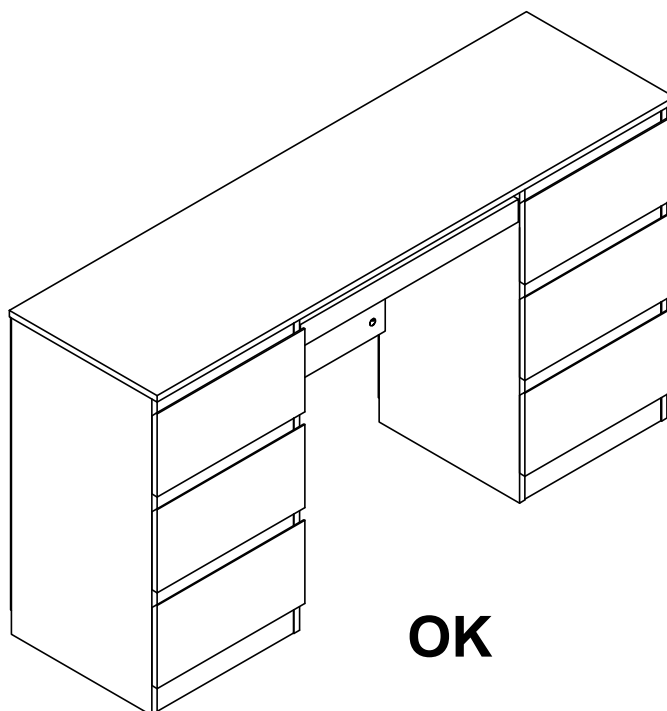
Assembly Instruction

Step 19

H=10



Step 20



spacegeneral.co.nz

Great job. You're done!

**Don 't forget to share how it looks in
your space and tag us on Instagram
@spacegeneralnz**