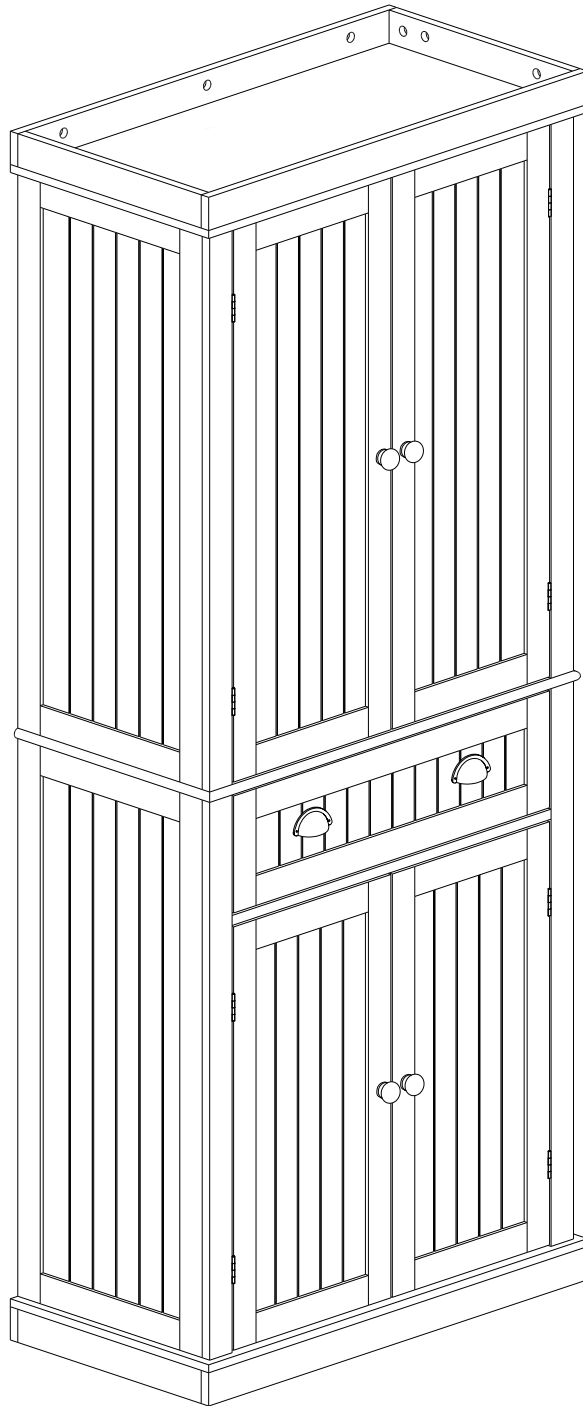


Open Concept



Kitchen Pantry Cabinet Freestanding Cupboard - White

ASSEMBLY INSTRUCTION

EN

Thank you for purchase on our products. Please contact us if you have difficulty with assembly or need replacement parts. Our customer service is here to assist you.

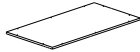



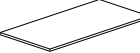








WARNING

Serious or fatal injury may occur from unexpected assembly or use.

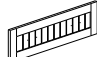
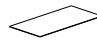
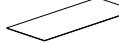
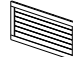
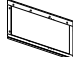
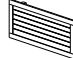
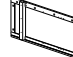




1. During the assembly process, keep all parts away from babies or children.
2. Always securely fix this product to the wall. Make sure the wall area to be drilled is free from hidden electrical wires, water and gas pipes.
3. Use of tip-over restraints may only reduce, but not eliminate the risk of tip-over.
4. Unless specially designed to accommodate, do not set heavy objects on top of this product.
5. Place the heaviest items on the lowest shelf.
6. Never allow children to climb or bang on drawers, doors or shelves.

Parts List

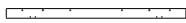









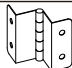
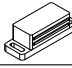




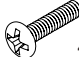

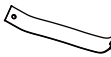

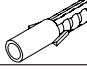




BOX-1/2

PART NO.	PARTS	QTY
1		x1
2		x1
3		x1
4		x2
5		x2
6		x3
7		x1
8		x4
9		x1
11		x1
12		x1
13		x1
14		x1

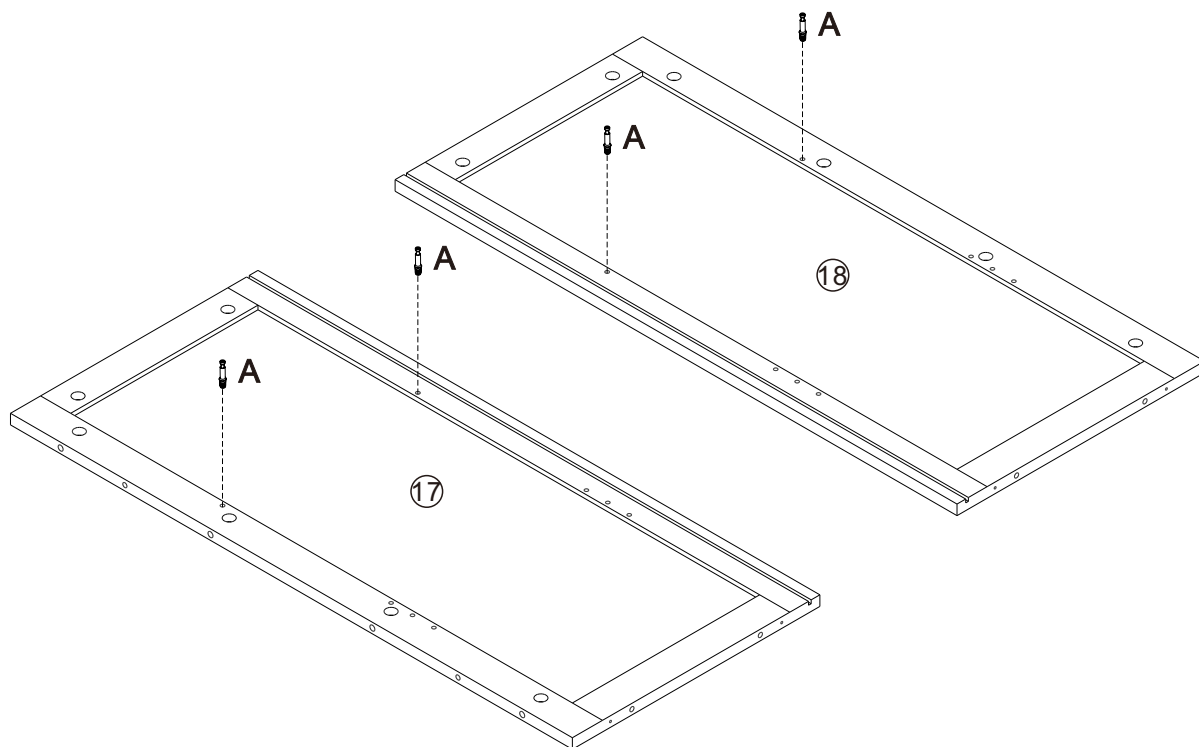
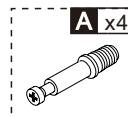
BOX-2/2

PART NO.	PARTS	QTY
10		x1
15		x1
16		x4
17		x1
18		x1
19		x1
20		x1
21		x1
22		x1
23		x1
24		x1

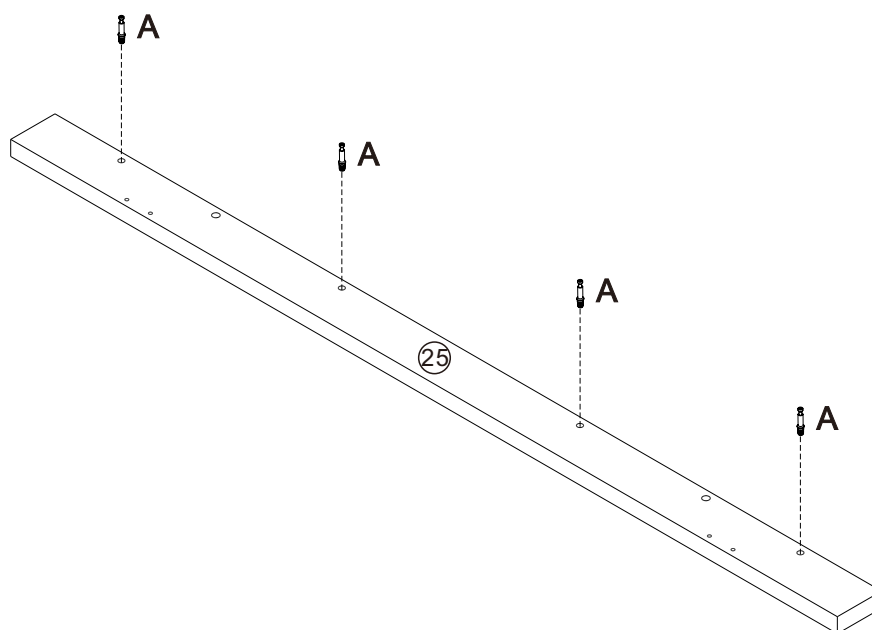
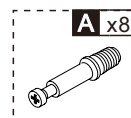
BOX-2/2

PART NO.	PARTS	QTY
25		x2
26		x1
27		x1
28		x2
A		x67
B		x67
C		x26
D	 4x35mm	x15
E	 3x12mm	x46
F	Black  3x12mm	x4
G		x8
H		x2
I		x4
J	 2.5x14mm	x4
K		x2
L		x4
M	 4x20mm	x4
N		x8
O		x2
P		x4
Q		x2
R	 2.5x12mm	x2
S		x8
T	 3x14mm	x8
U		x1

STEP 1

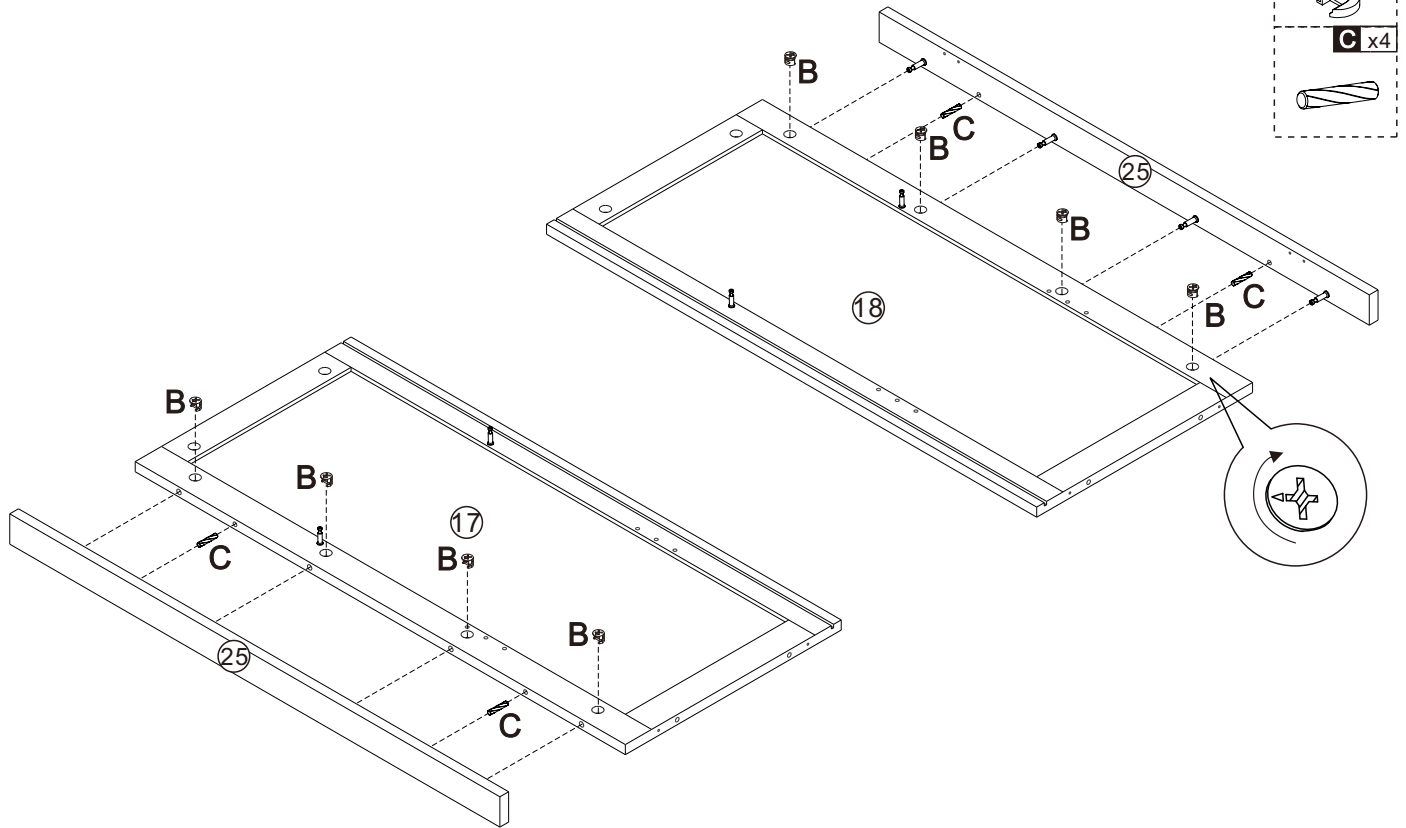


STEP 2

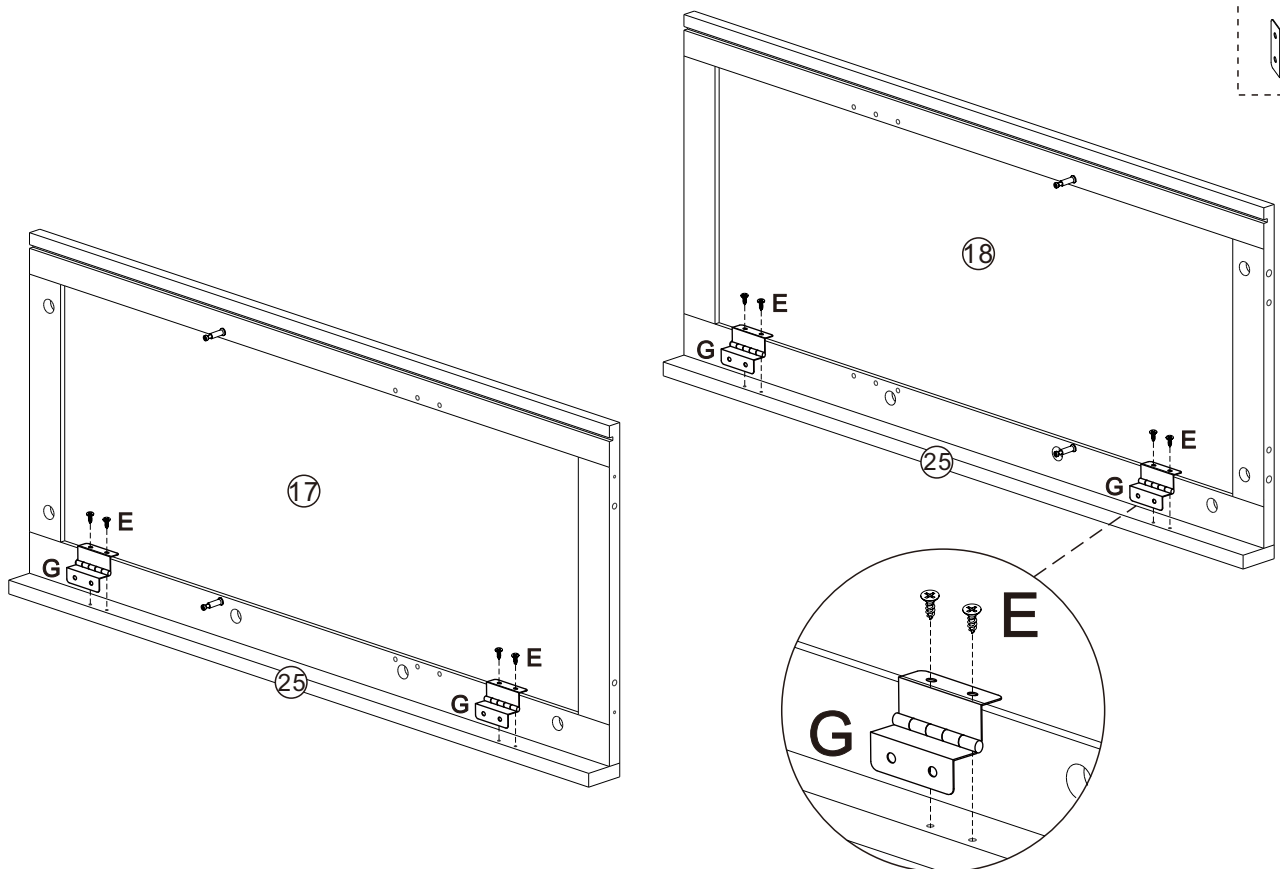


x2

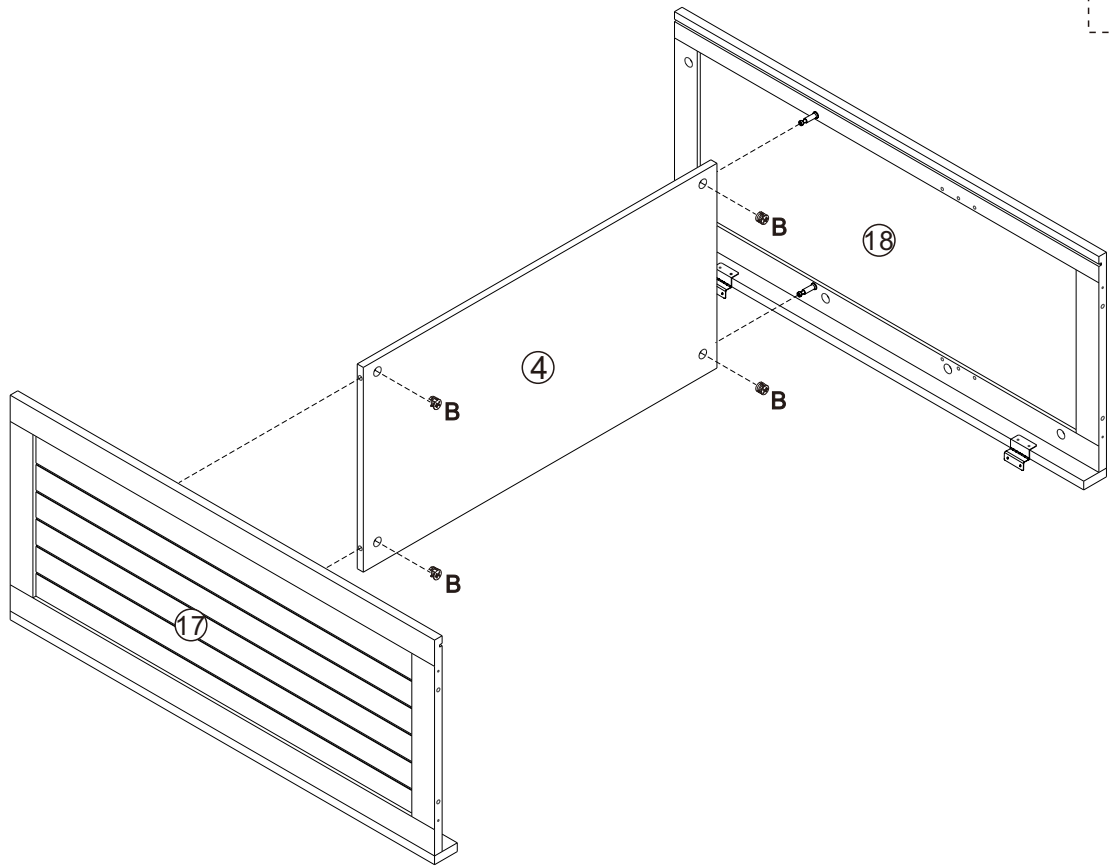
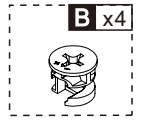
STEP 3



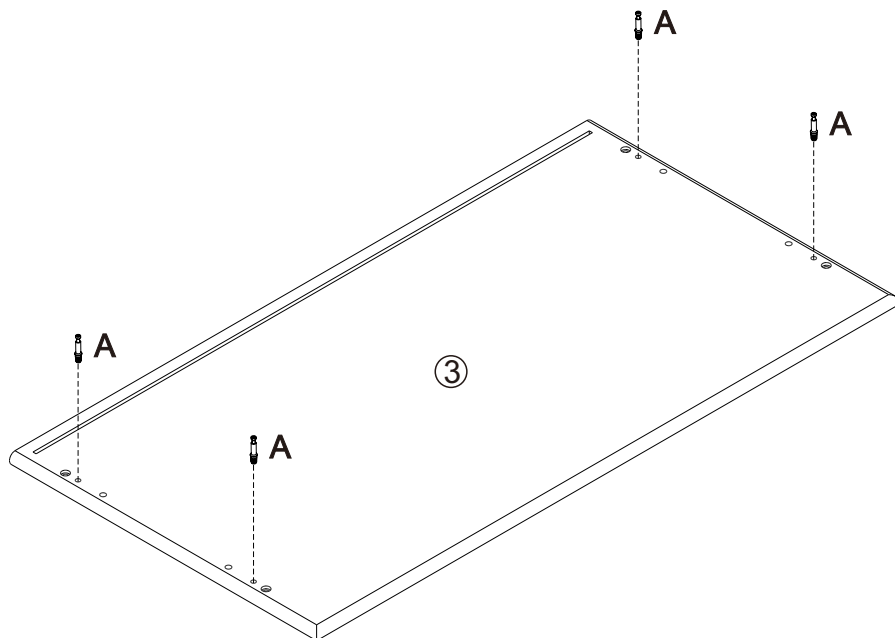
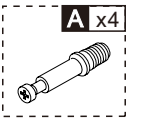
STEP 4



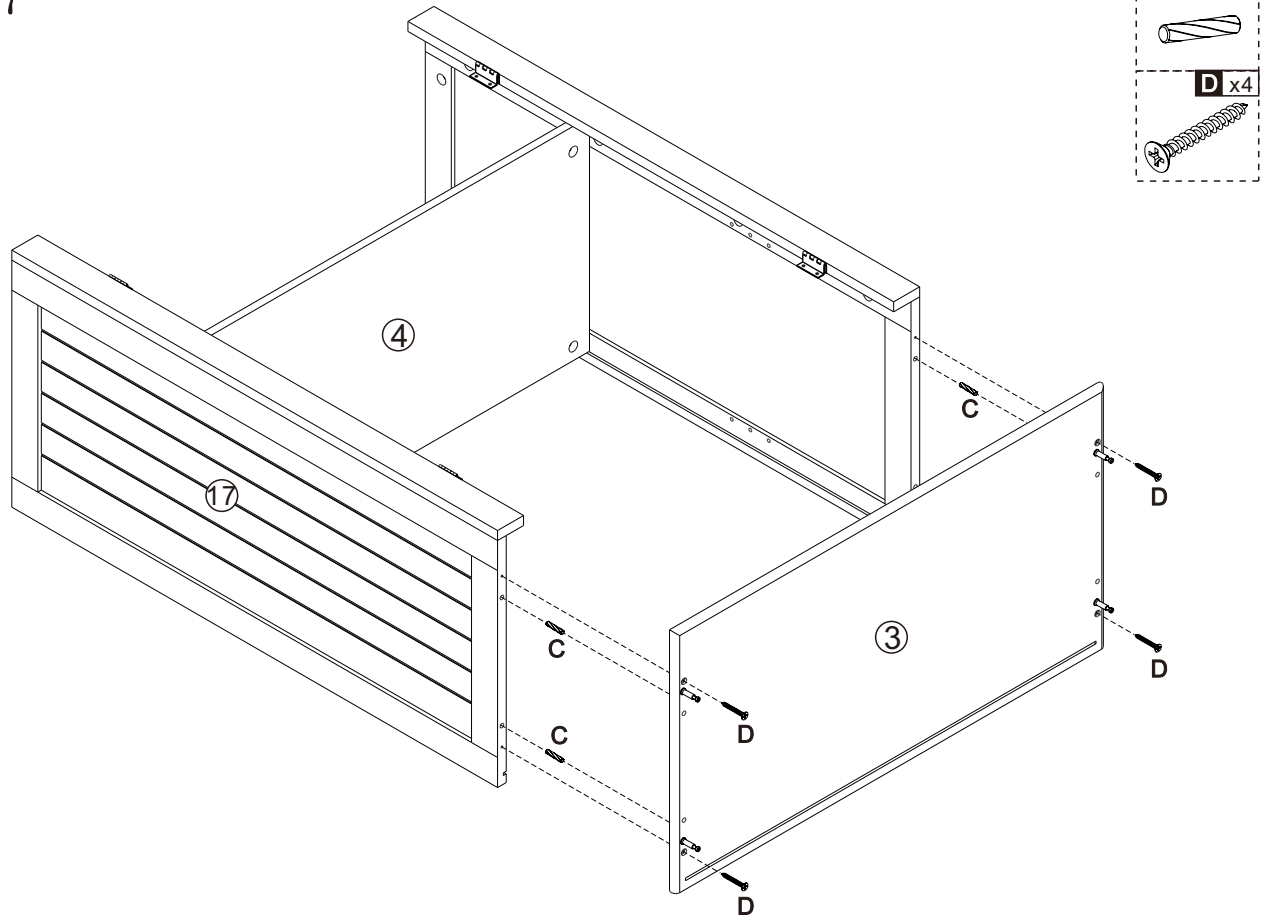
STEP 5



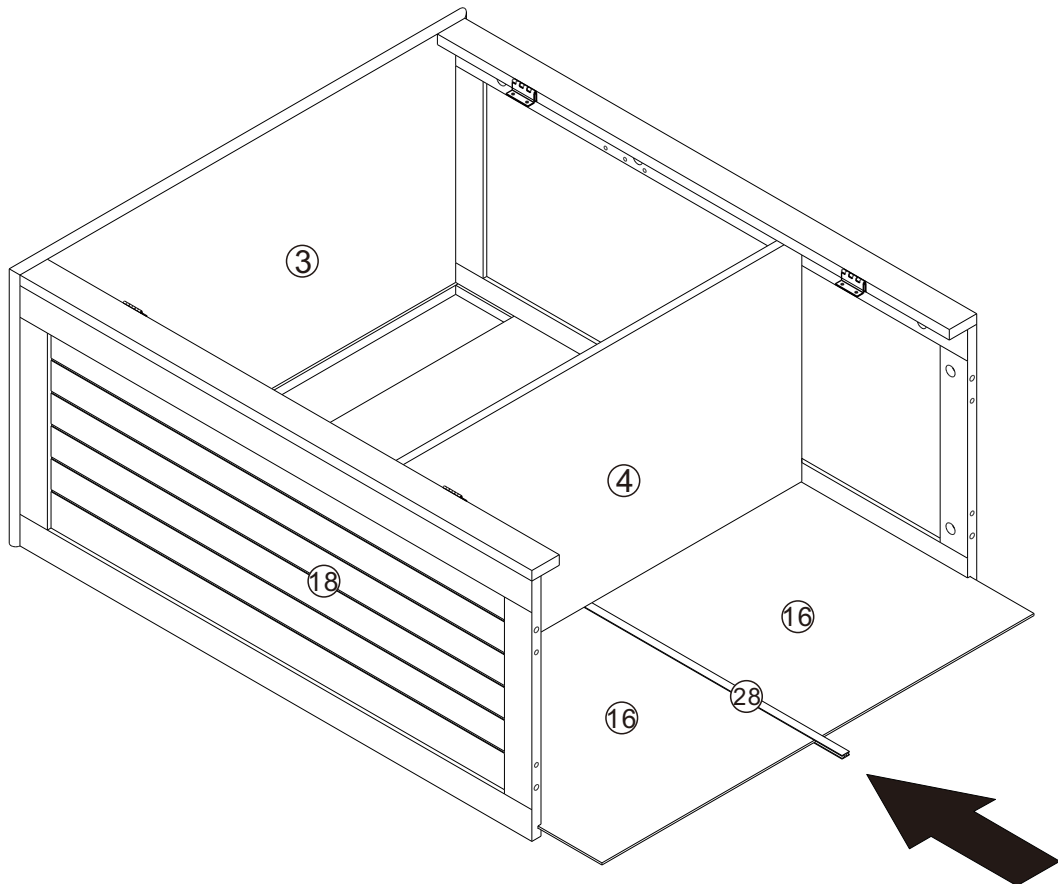
STEP 6



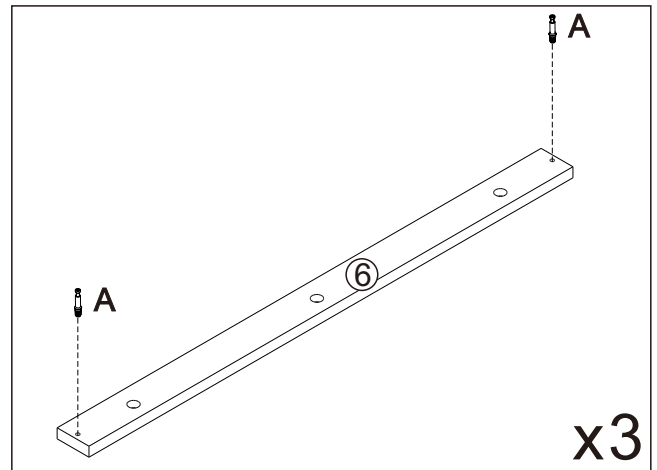
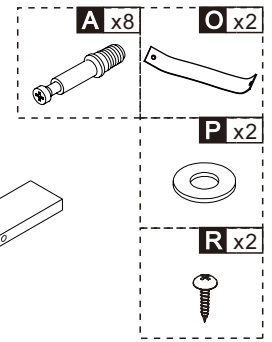
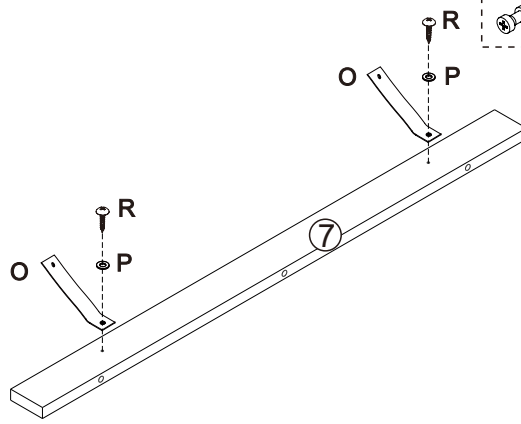
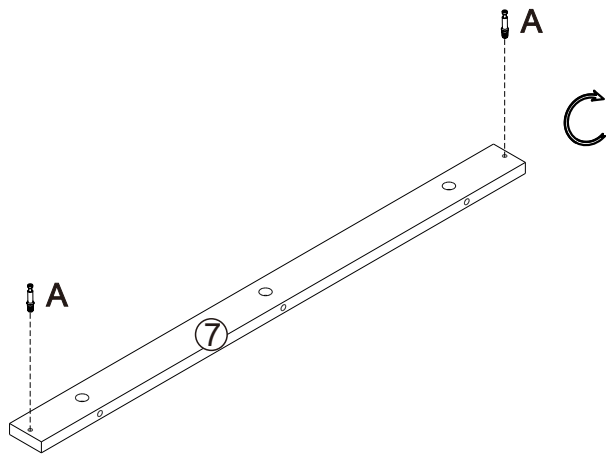
STEP 7



STEP 8

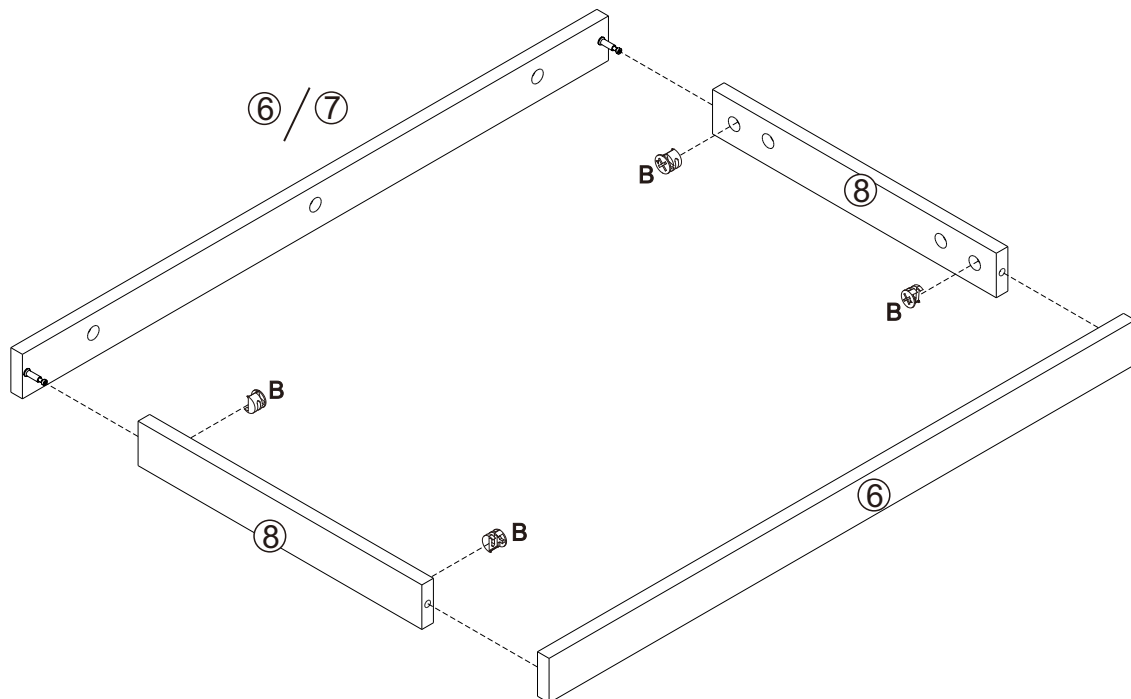


STEP 9



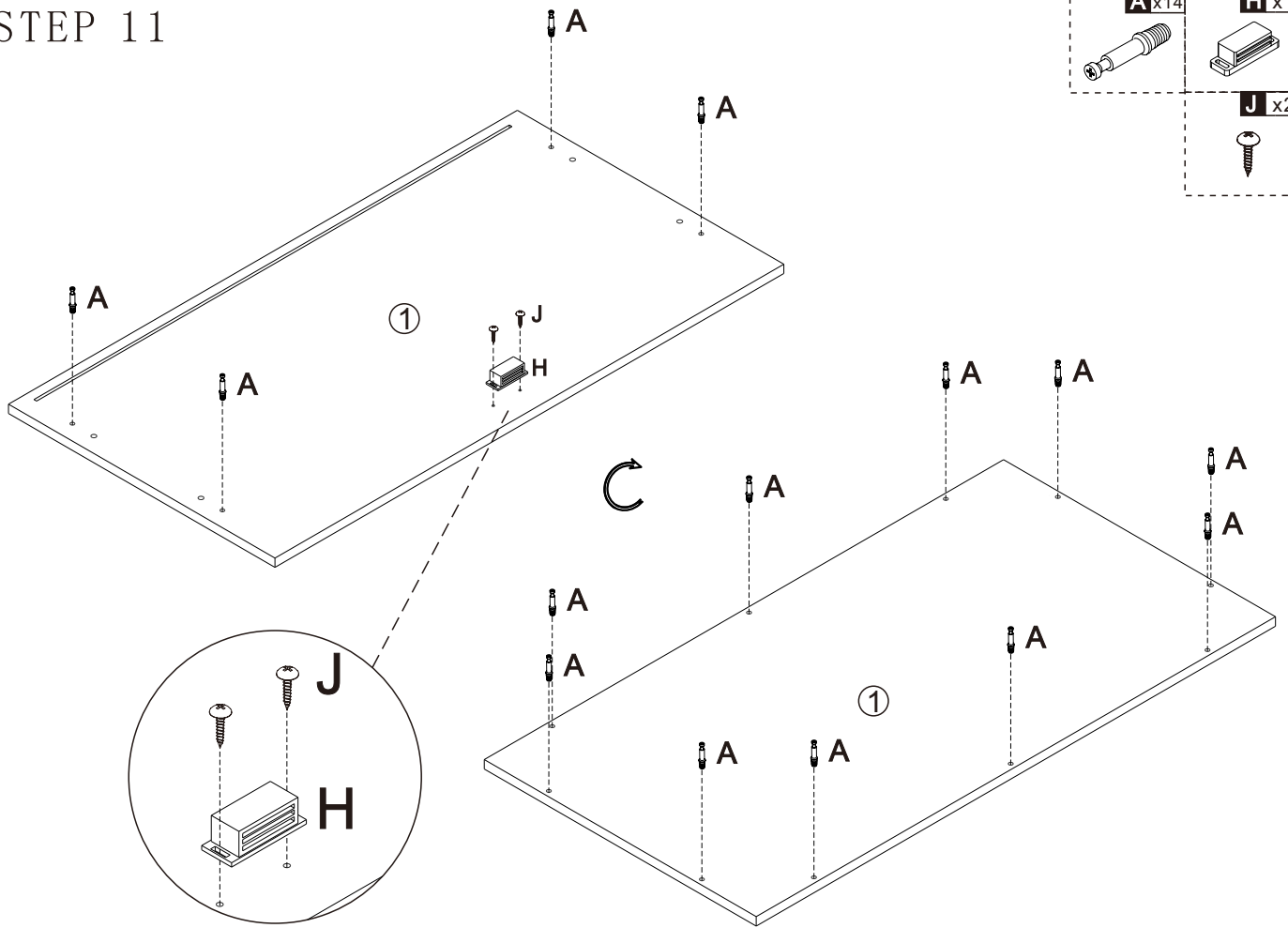
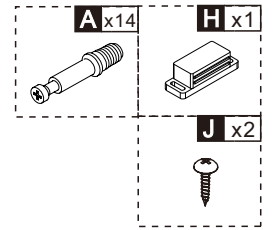
x3

STEP 10

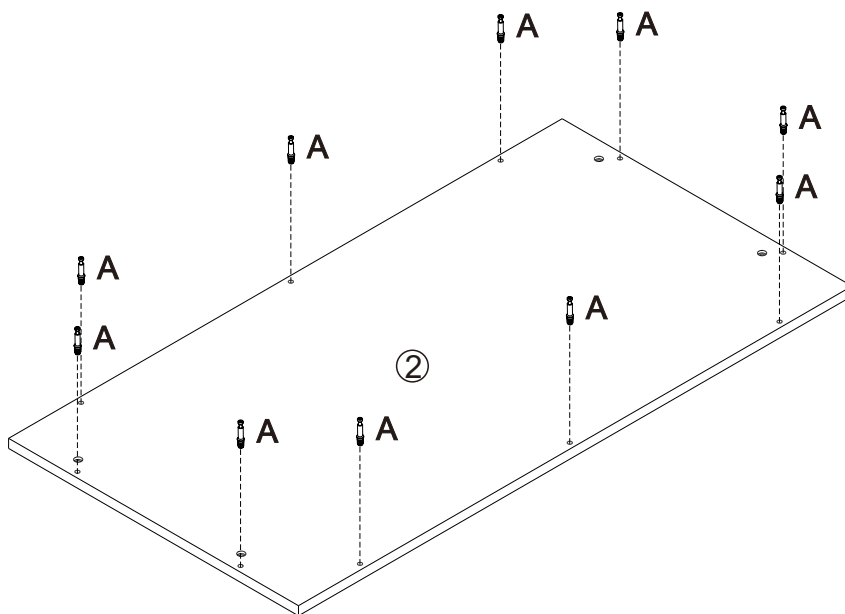
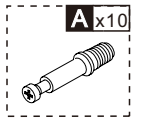


x2

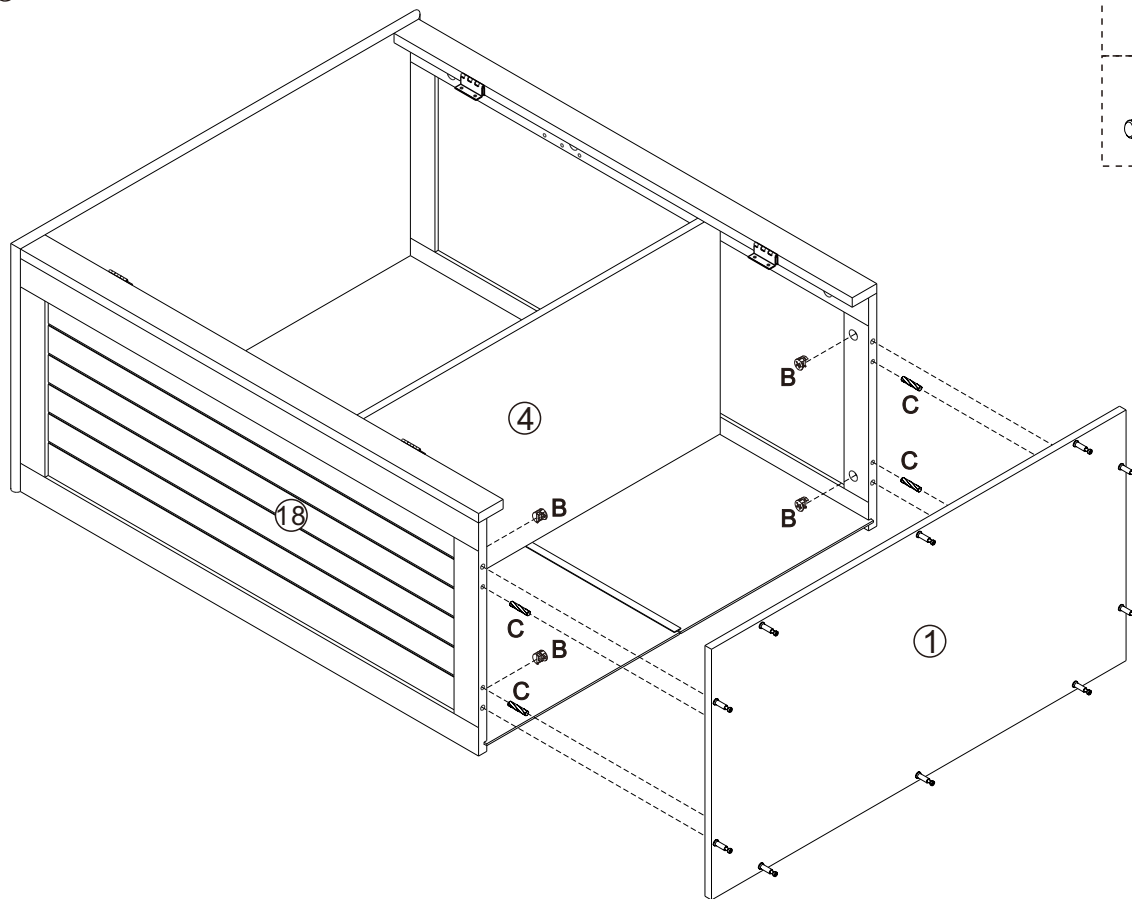
STEP 11



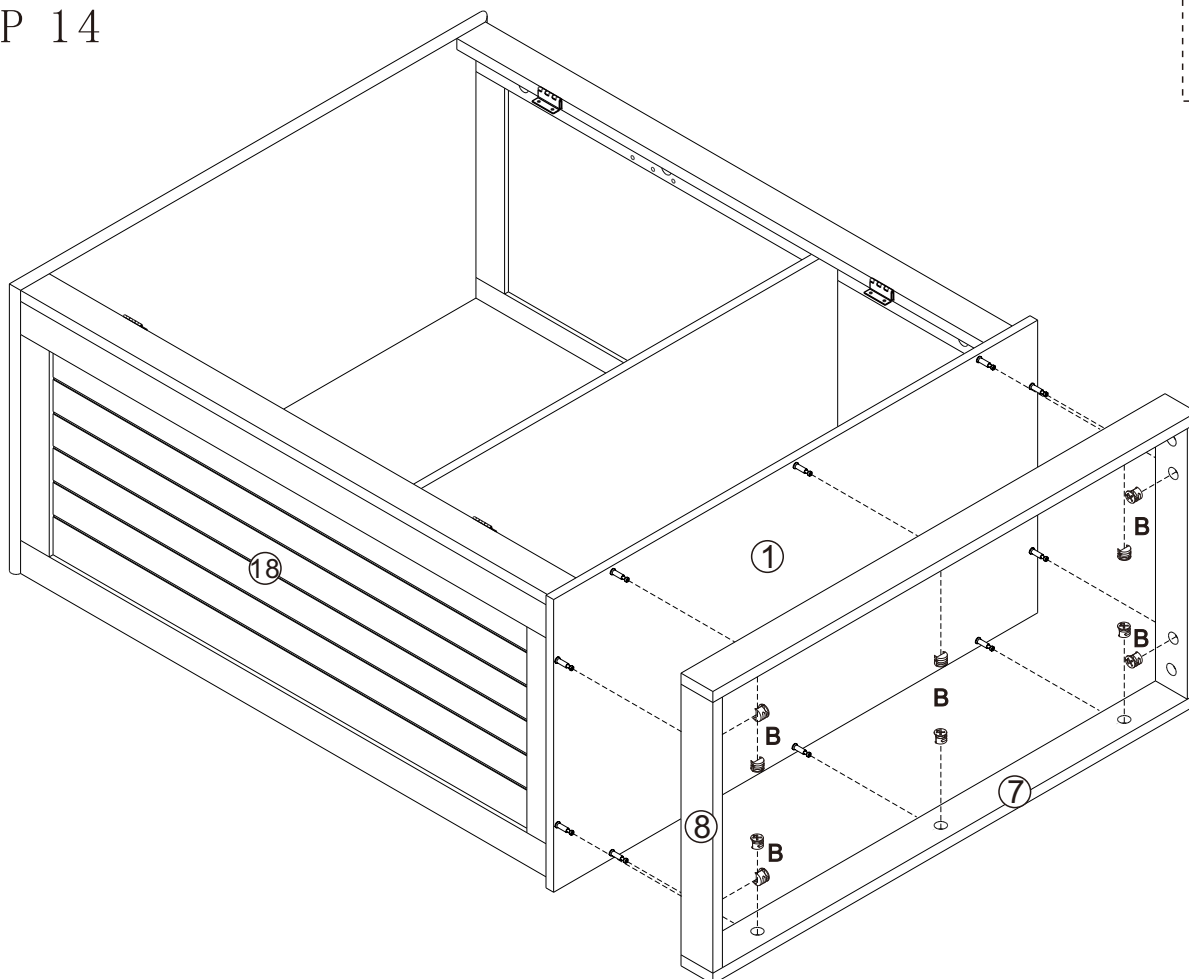
STEP 12



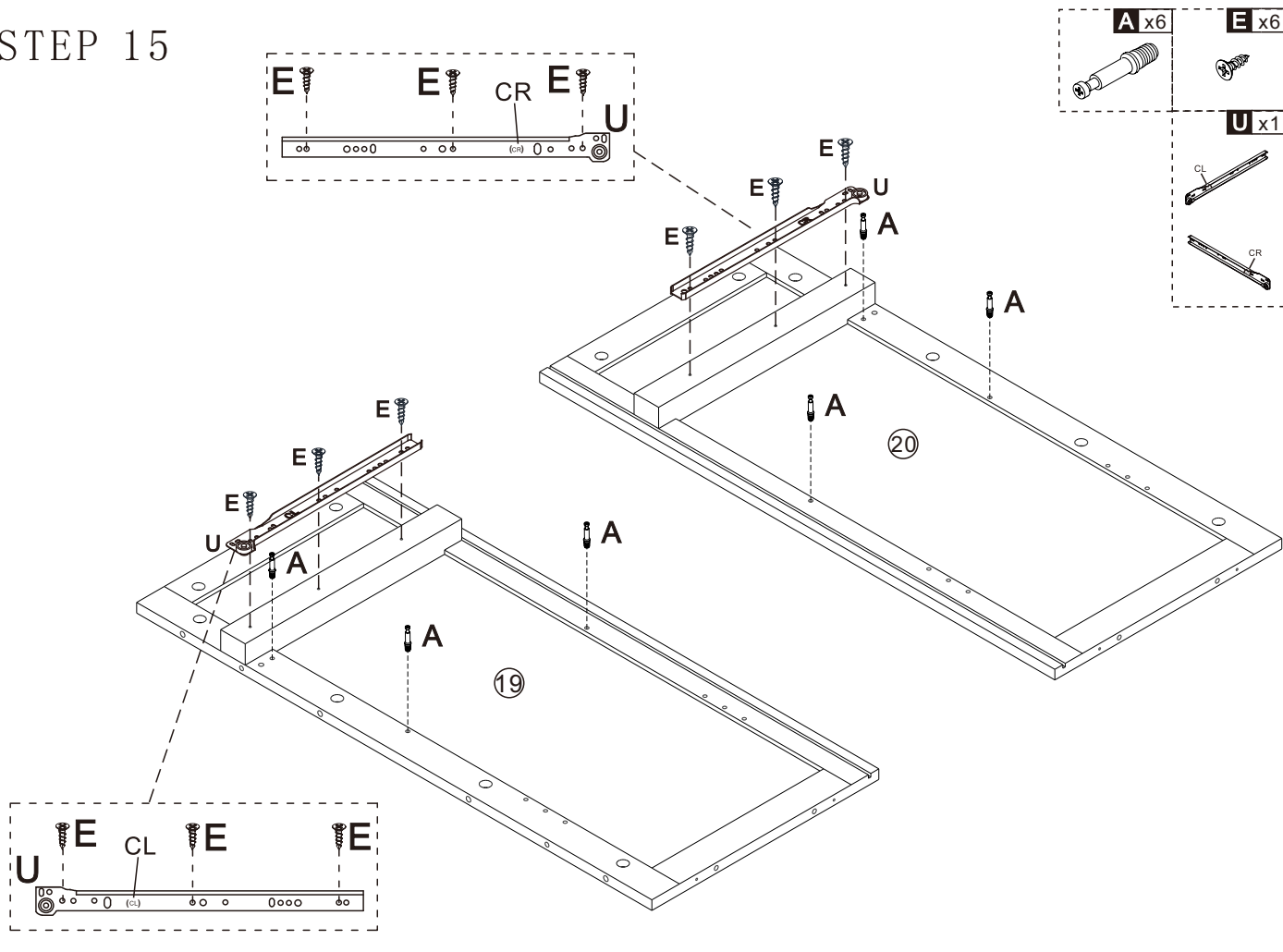
STEP 13



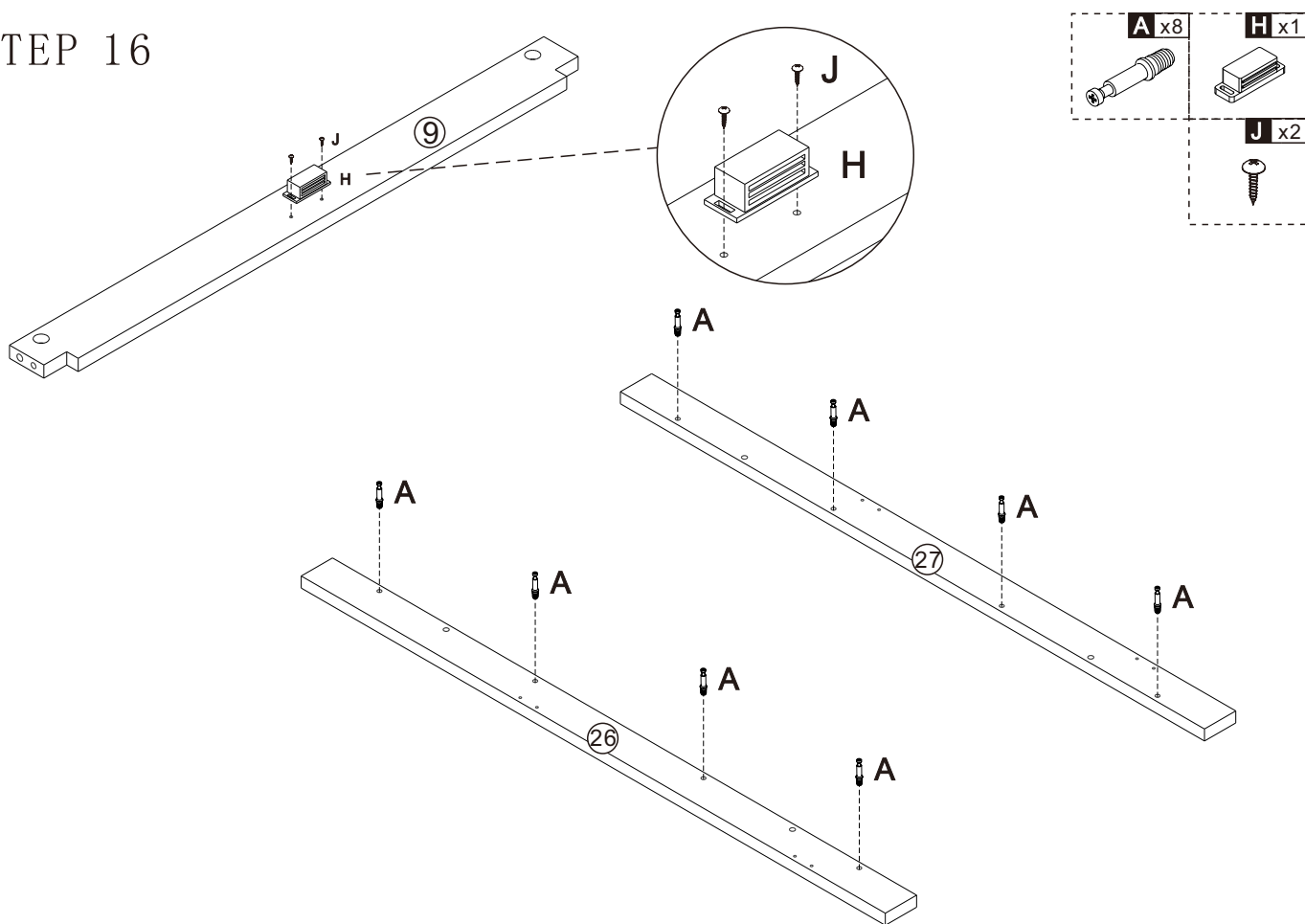
STEP 14



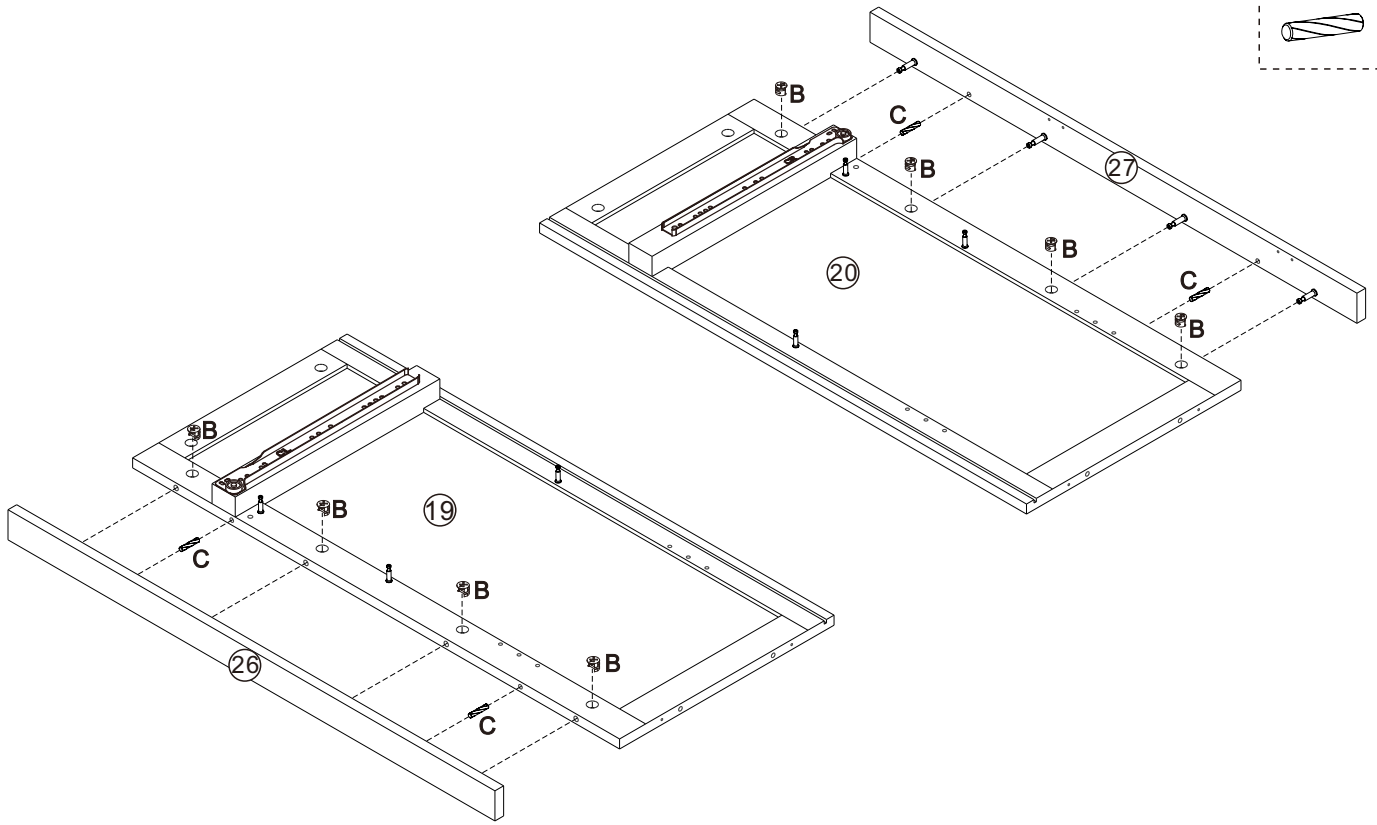
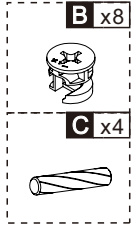
STEP 15



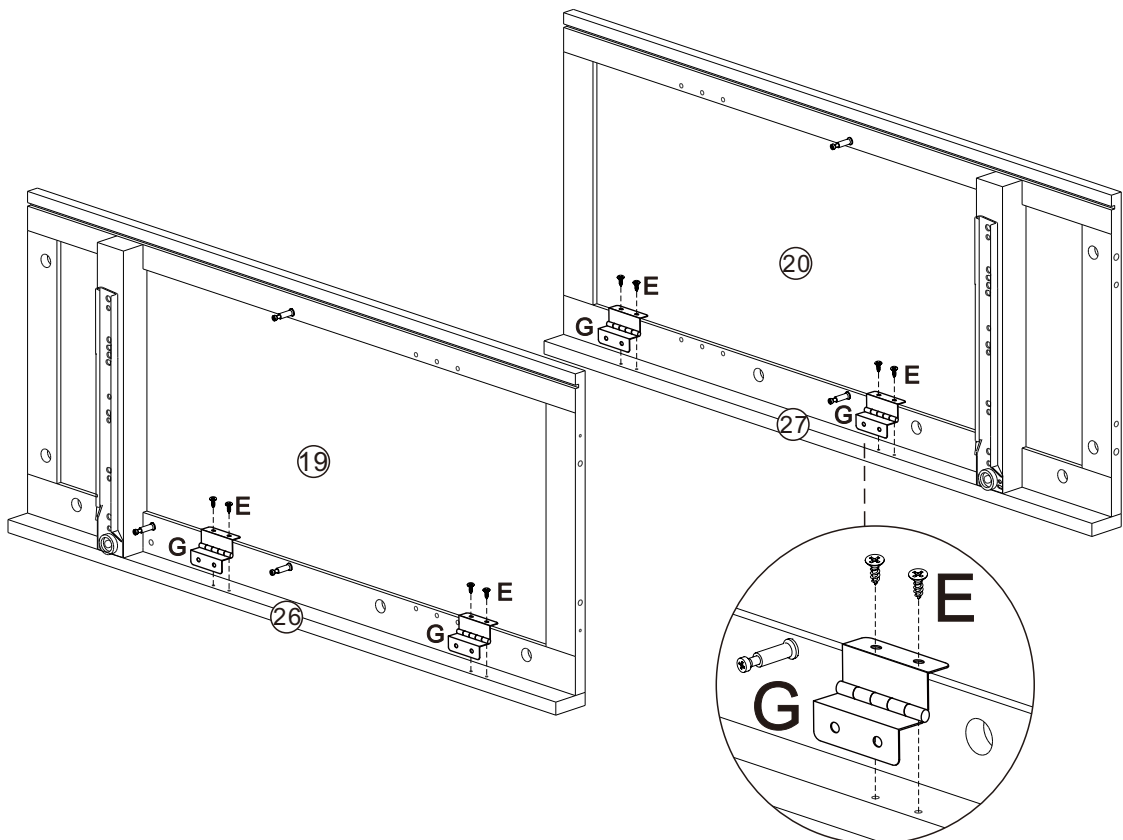
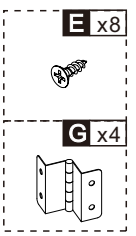
STEP 16



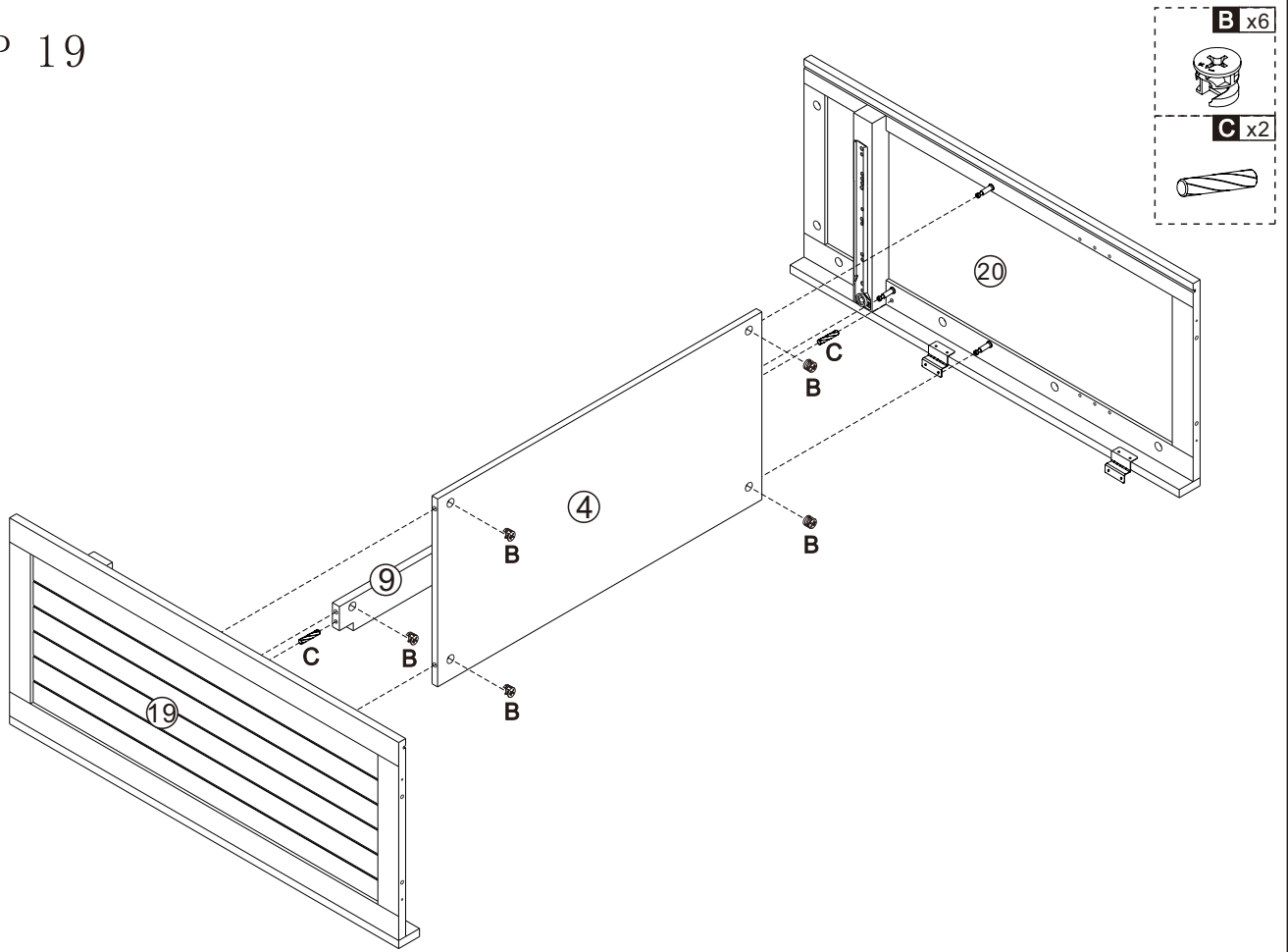
STEP 17



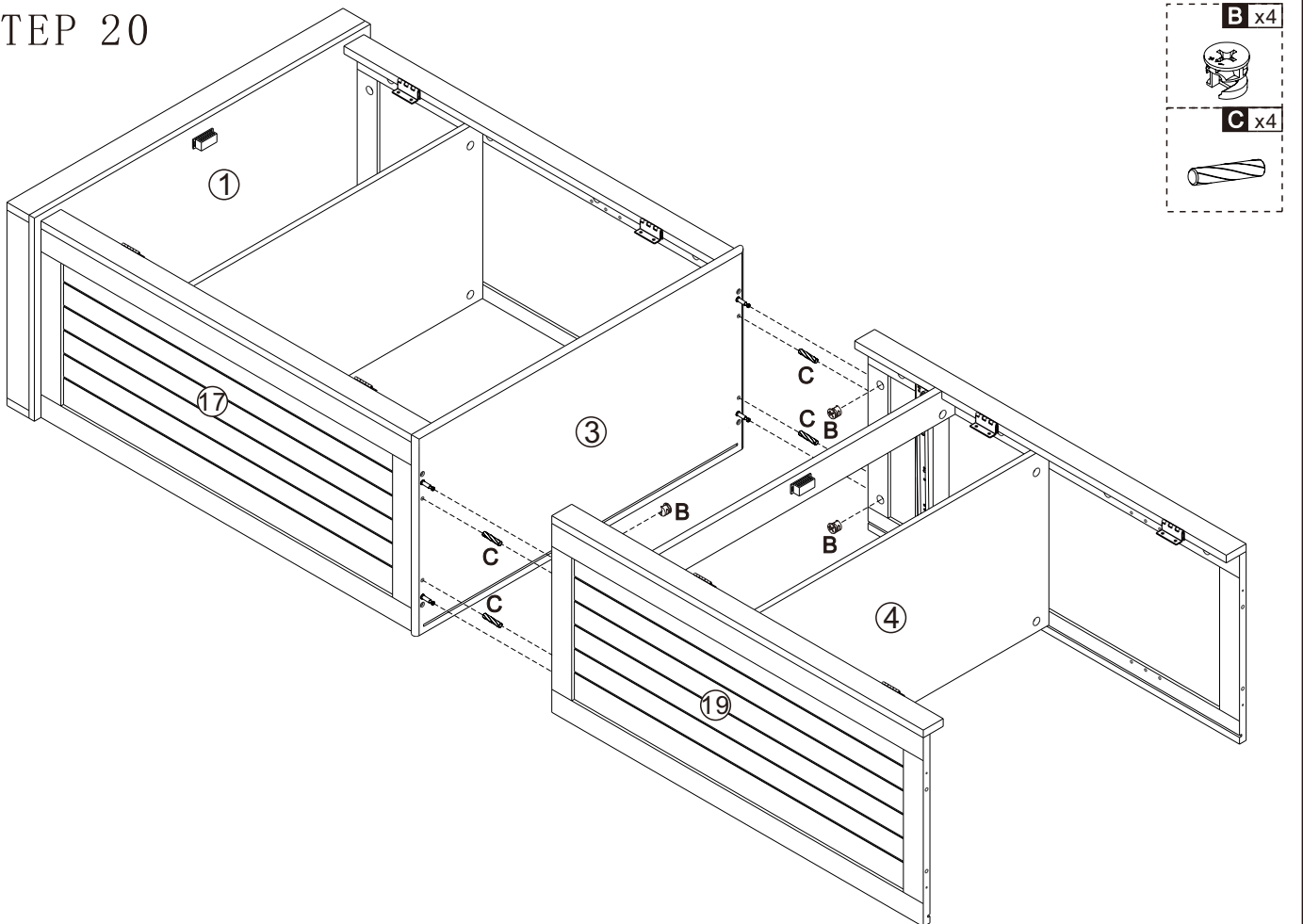
STEP 18



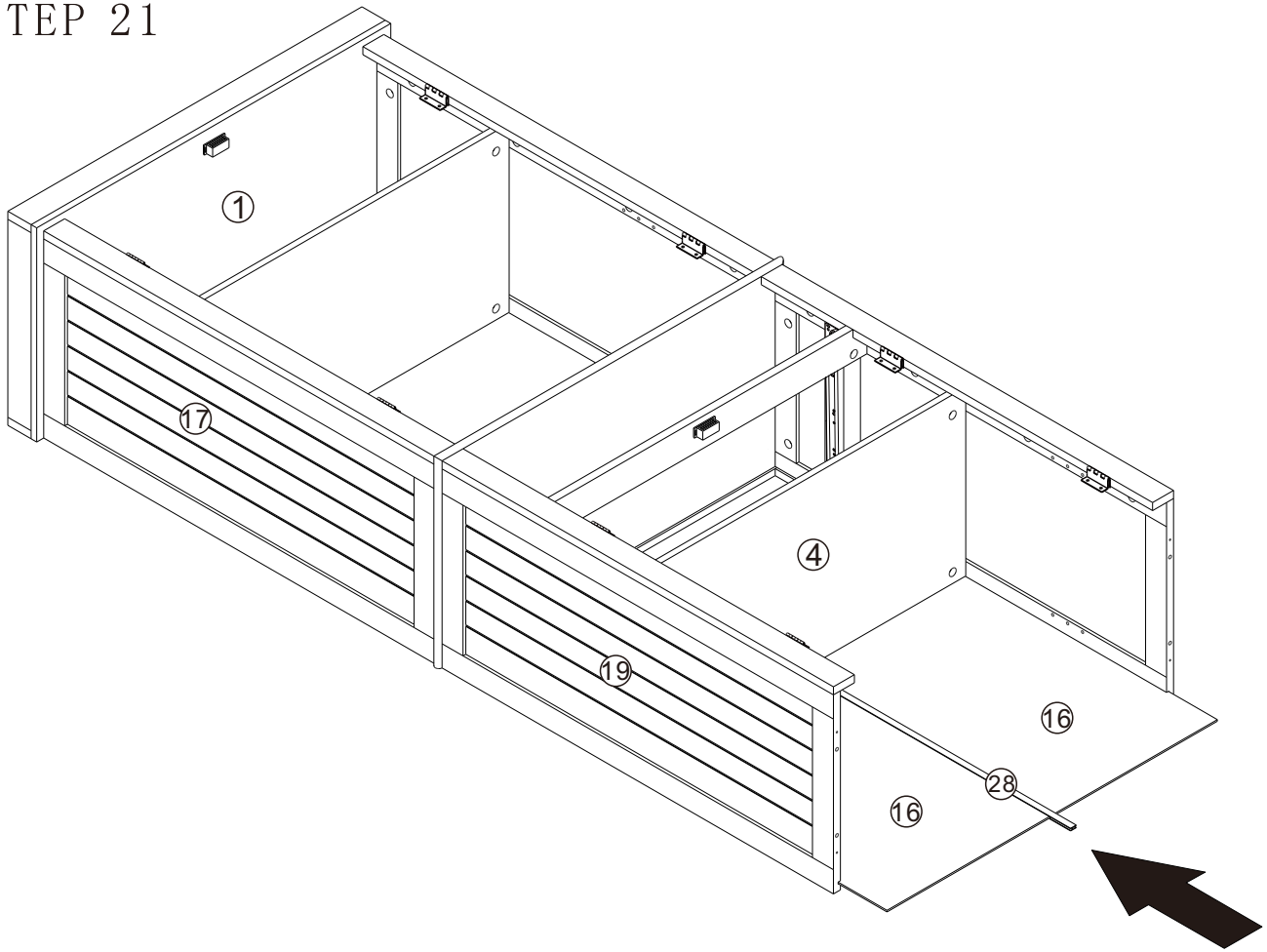
STEP 19



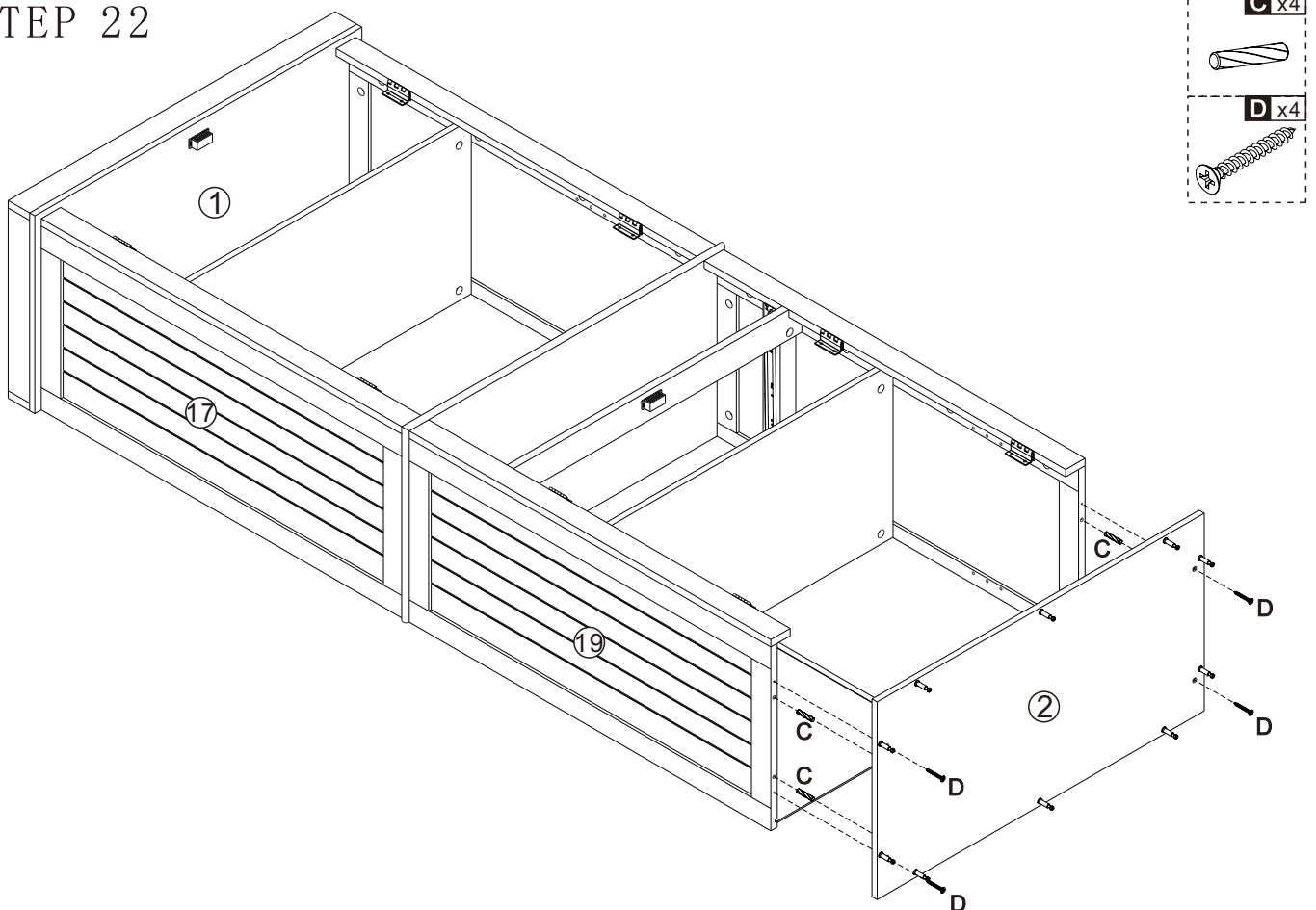
STEP 20



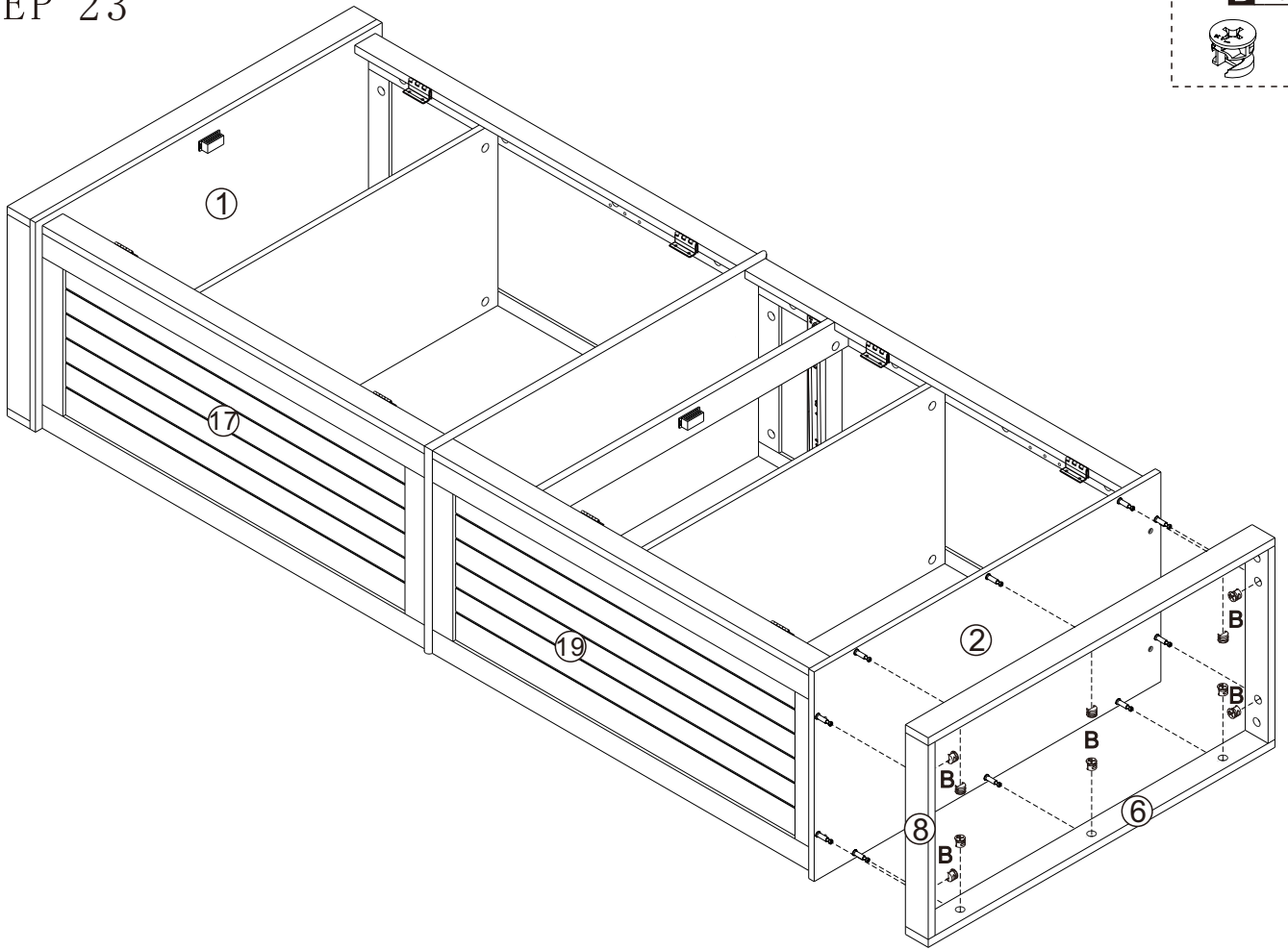
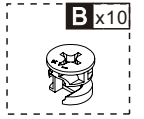
STEP 21



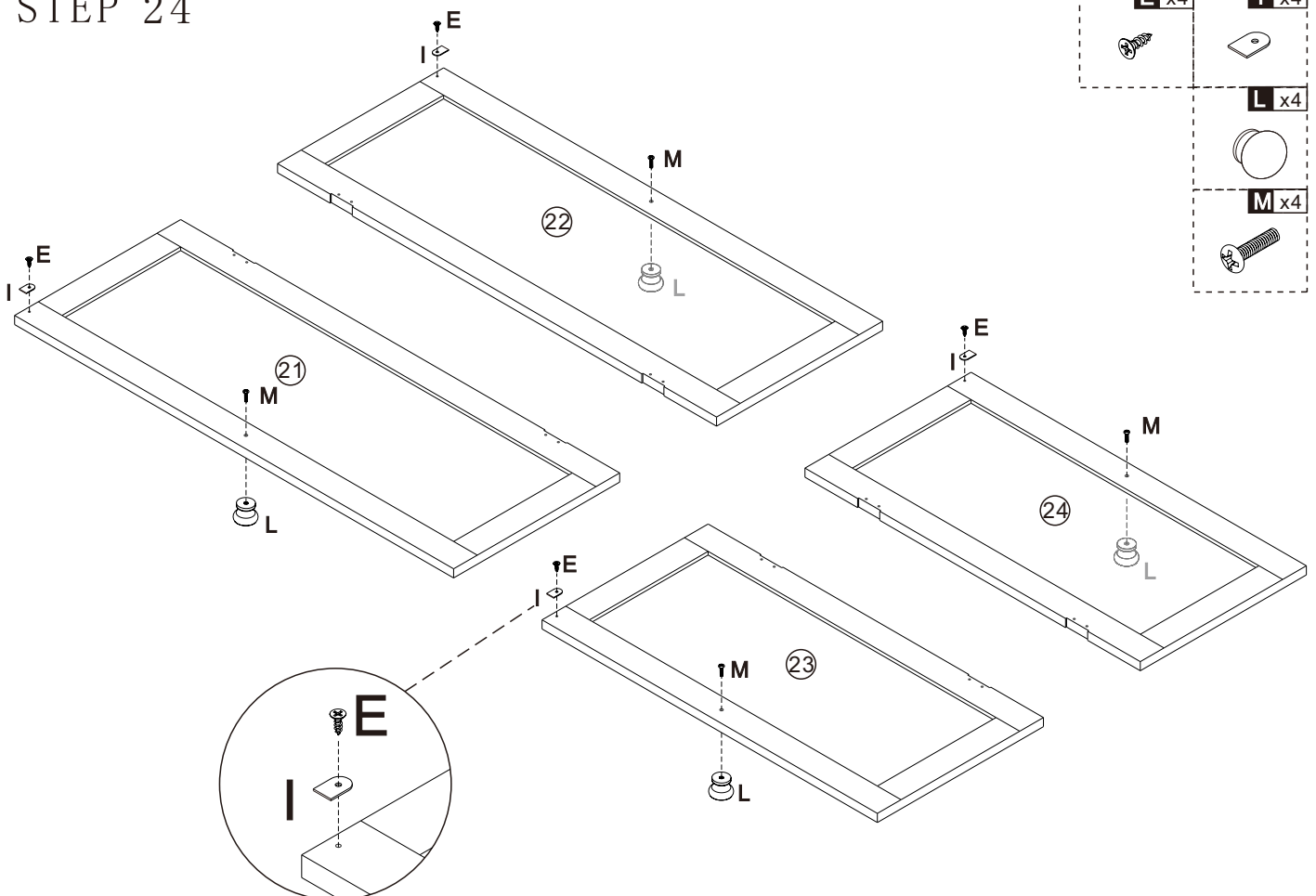
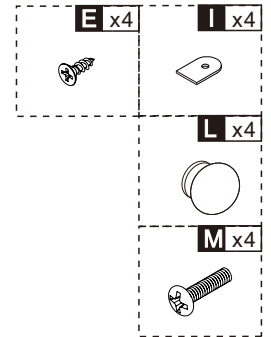
STEP 22



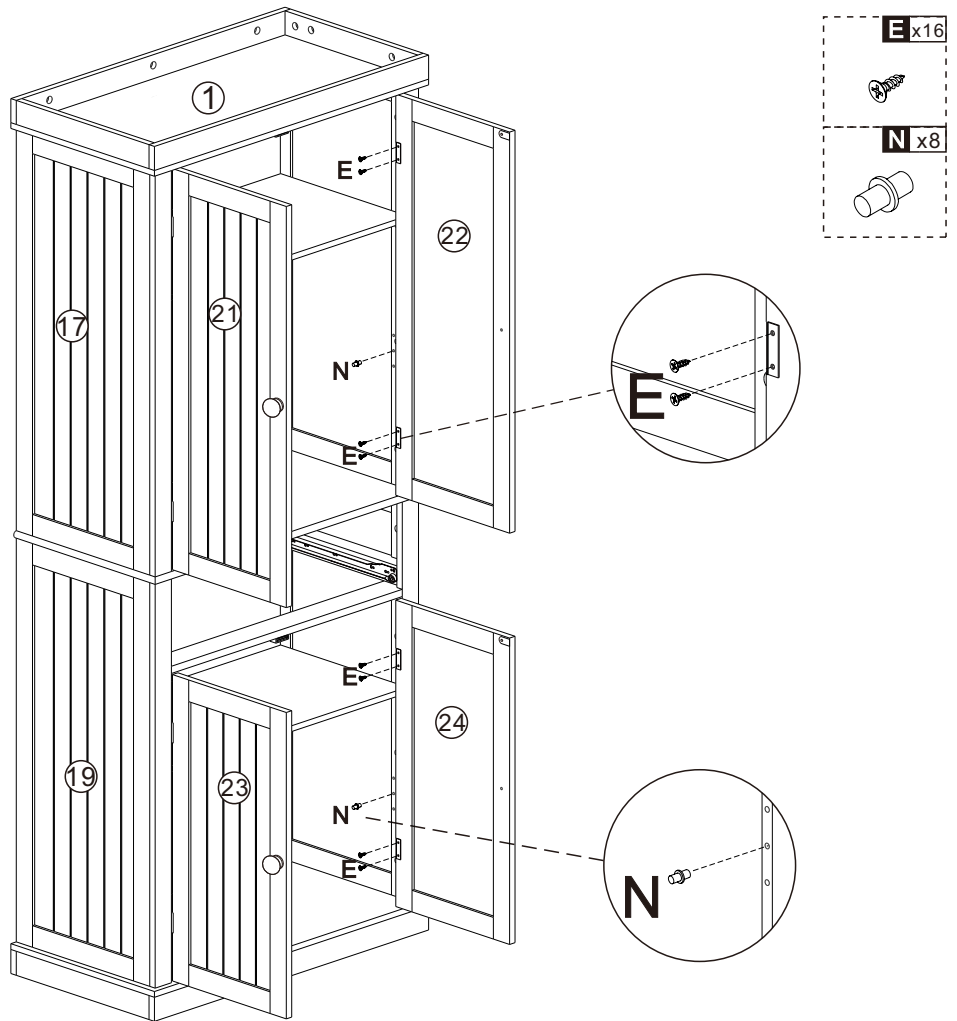
STEP 23



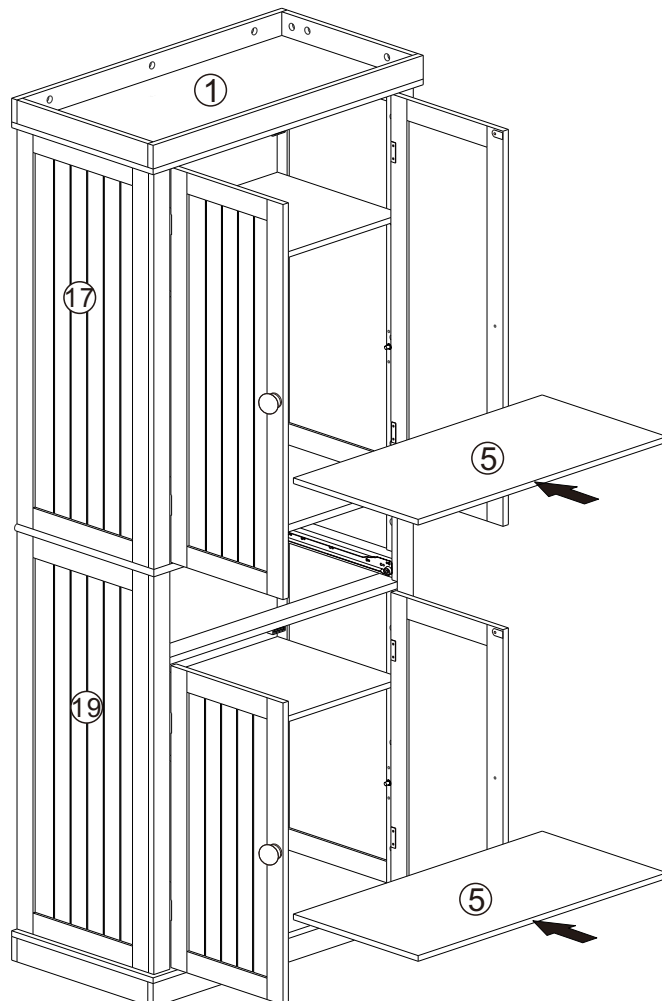
STEP 24



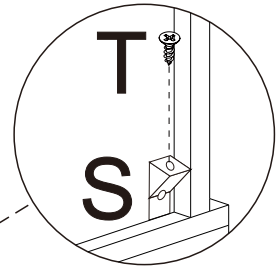
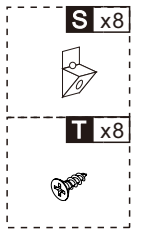
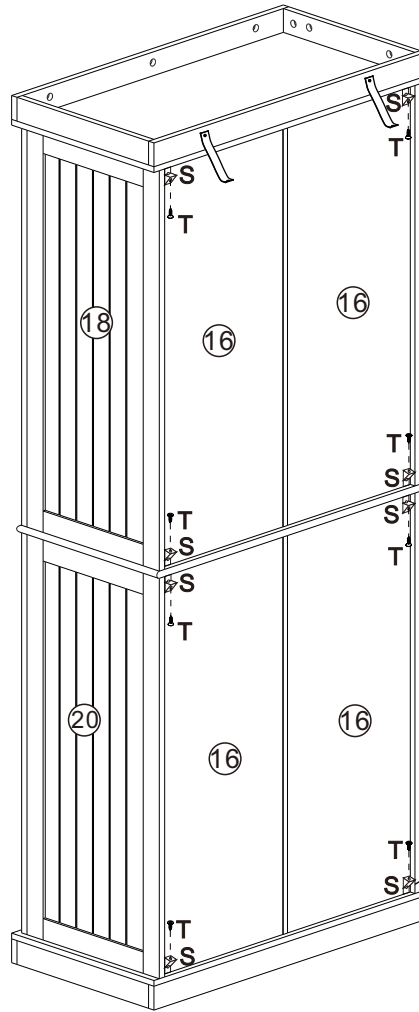
STEP 25



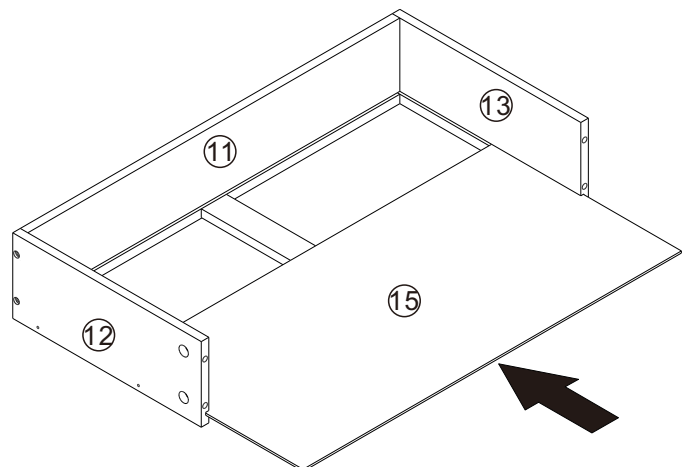
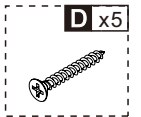
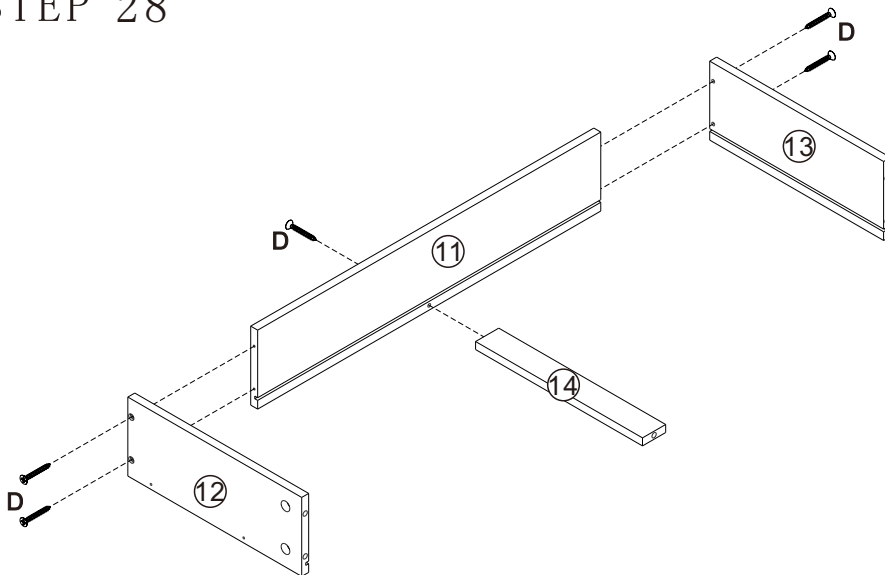
STEP 26



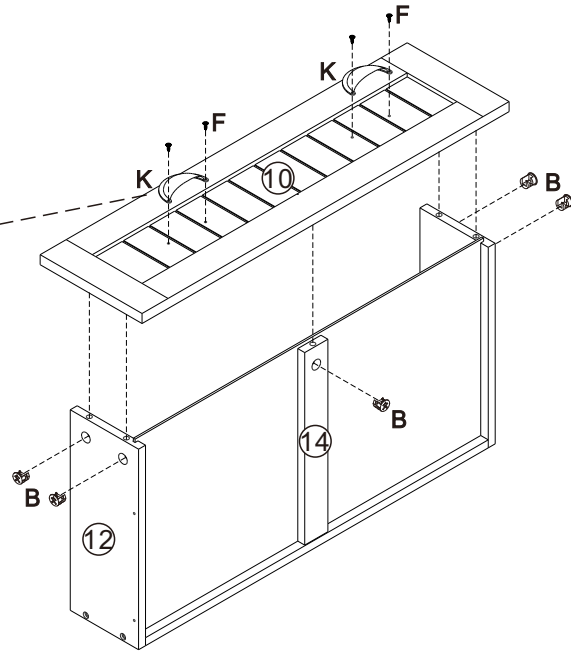
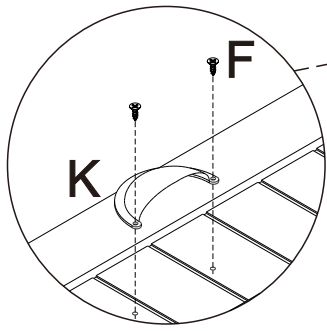
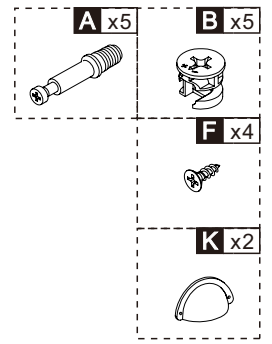
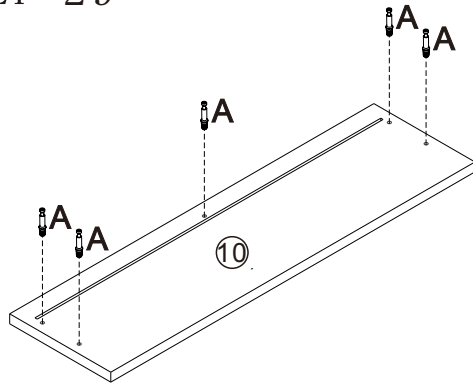
STEP 27



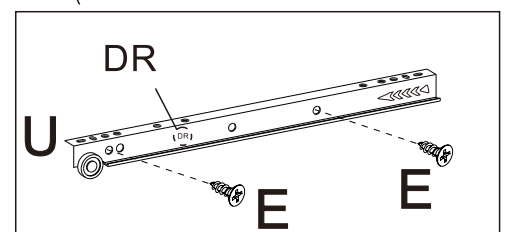
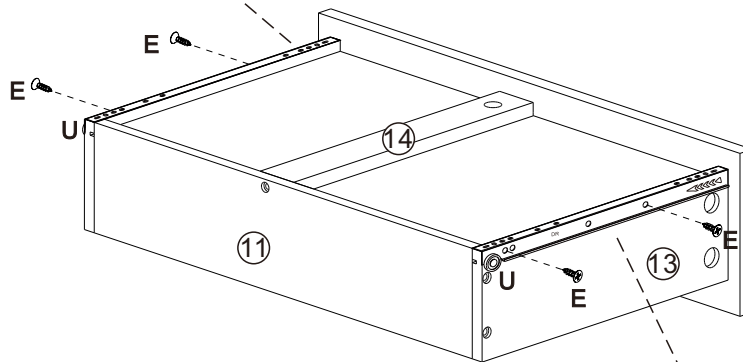
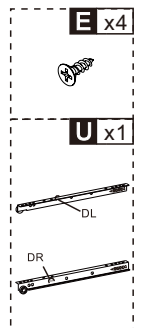
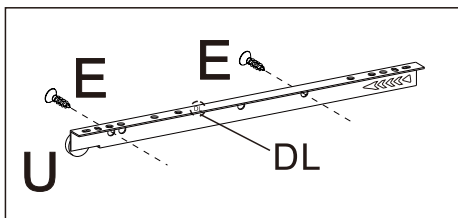
STEP 28



STEP 29



STEP 30



STEP 31

