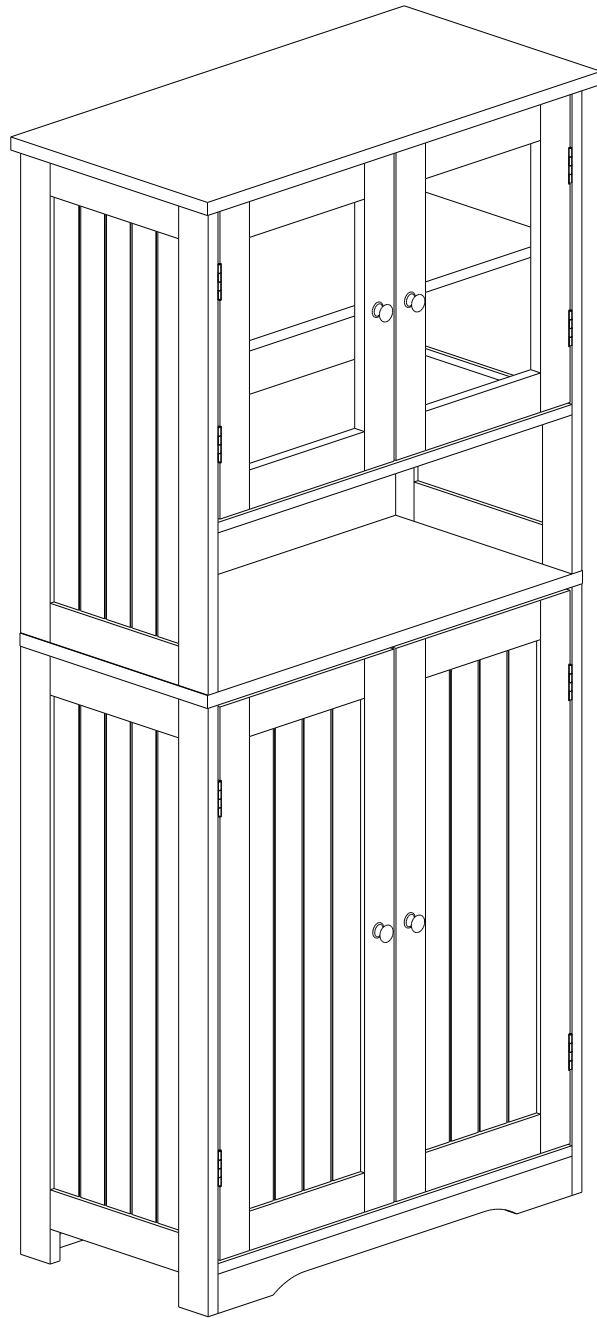


# Open Concept



Free Standing Kitchen Pantry Cupboard - White

## ASSEMBLY INSTRUCTION

**EN**

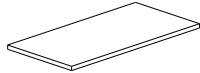
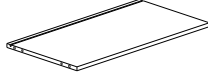
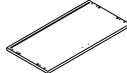
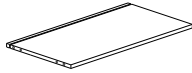

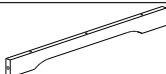
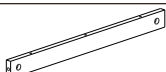

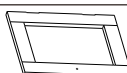
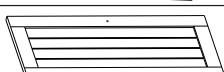
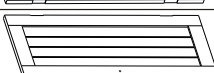
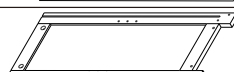


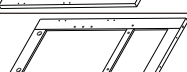

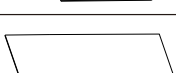
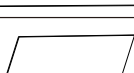


Thank you for purchase on our products. Please contact us if you have difficulty with assembly or need replacement parts. Our customer service is here to assist you.

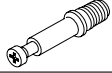


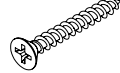
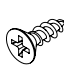
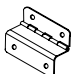
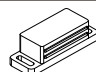



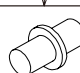

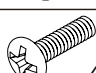
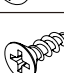


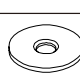

## **WARNING**

Serious or fatal injury may occur from unexpected assembly or use.

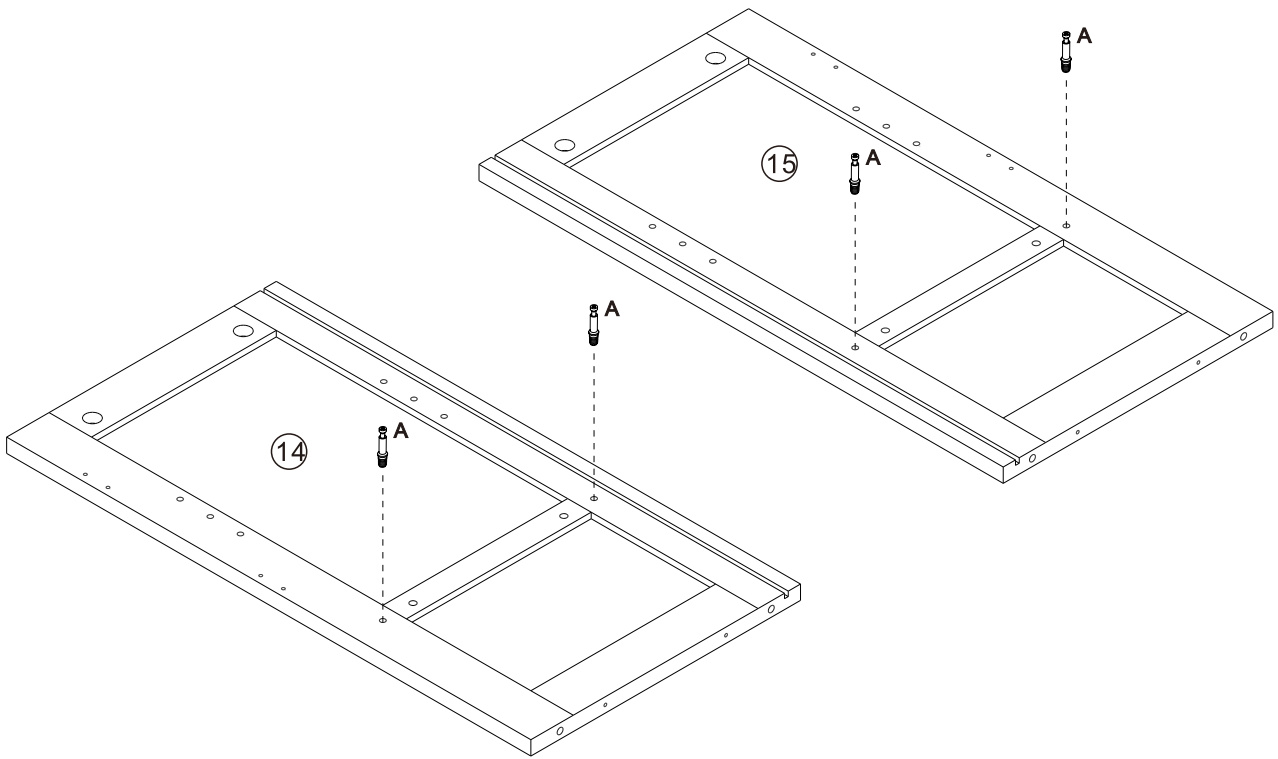
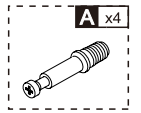
1. During the assembly process, keep all parts away from babies or children.
2. Always securely fix this product to the wall. Make sure the wall area to be drilled is free from hidden electrical wires, water and gas pipes.
3. Use of tip-over restraints may only reduce, but not eliminate the risk of tip-over.
4. Unless specially designed to accommodate, do not set heavy objects on top of this product.
5. Place the heaviest items on the lowest shelf.
6. Never allow children to climb or bang on drawers, doors or shelves.

Parts List

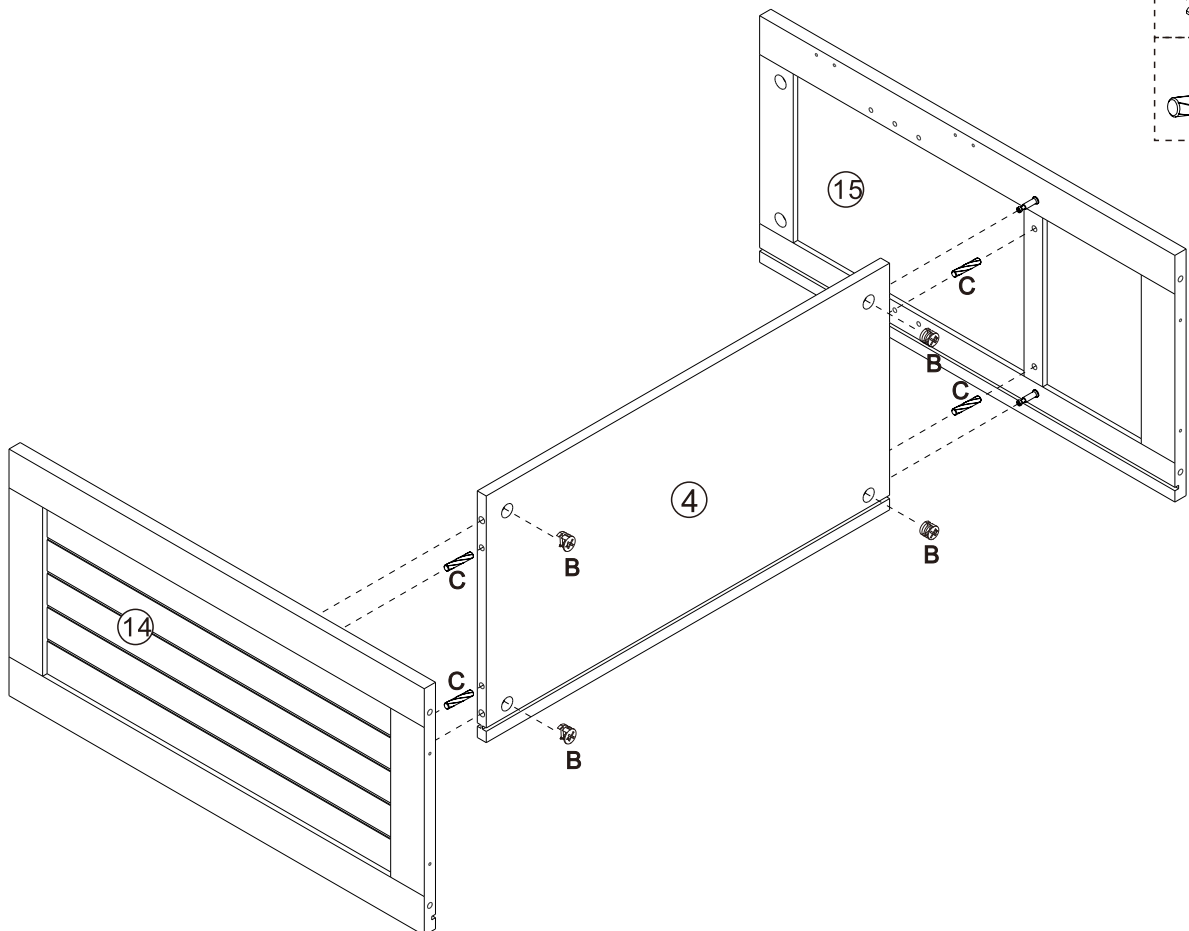
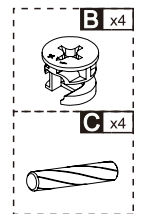
PART NO.	PARTS	QTY
①		x1
②		x1
③		x1
④		x1
⑤		x2
⑥		x1
⑦		x1
⑧		x1
⑨		x1
⑩		x1
⑪		x1
⑫		x1
⑬		x1
⑭		x1
⑮		x1
⑯		x2
⑰		x2
⑱		x1
⑲		x1
⑳		x1

PART NO.	PARTS	QTY
A		x20
B		x20
C		x20
D	 4x35mm	x11
E	 3x12mm	x36
F		x8
G		x2
H		x4
I	 2.5x12mm	x1
J	 2.5x14mm	x4
K		x8
L		x4
M	 4x20mm	x4
N	 3x14mm	x8
O		x1
P		x1
Q		x2
R		x8

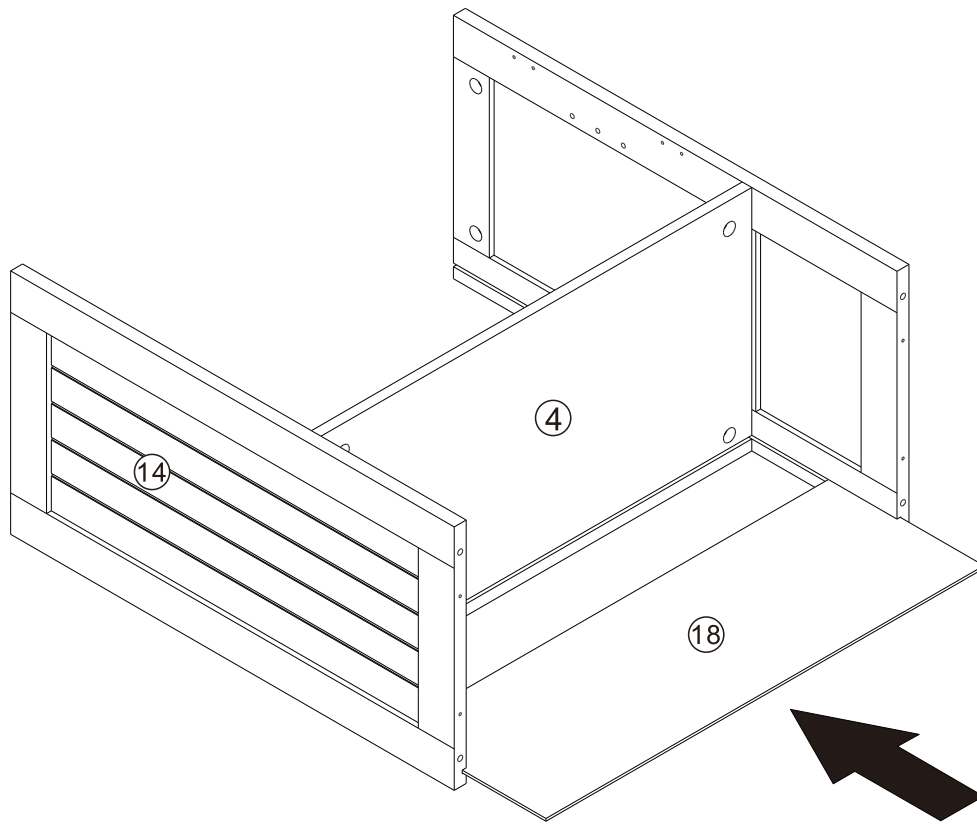
# STEP 1



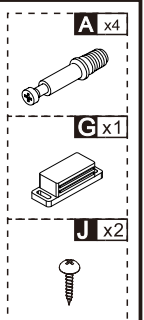
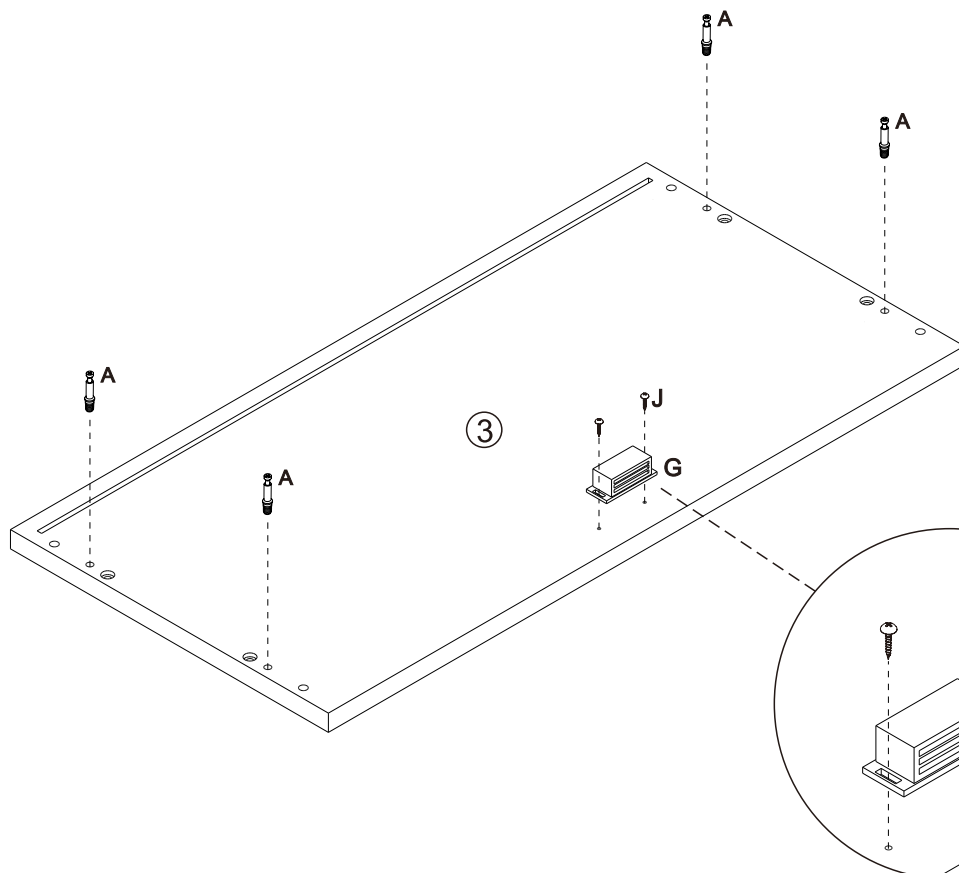
# STEP 2



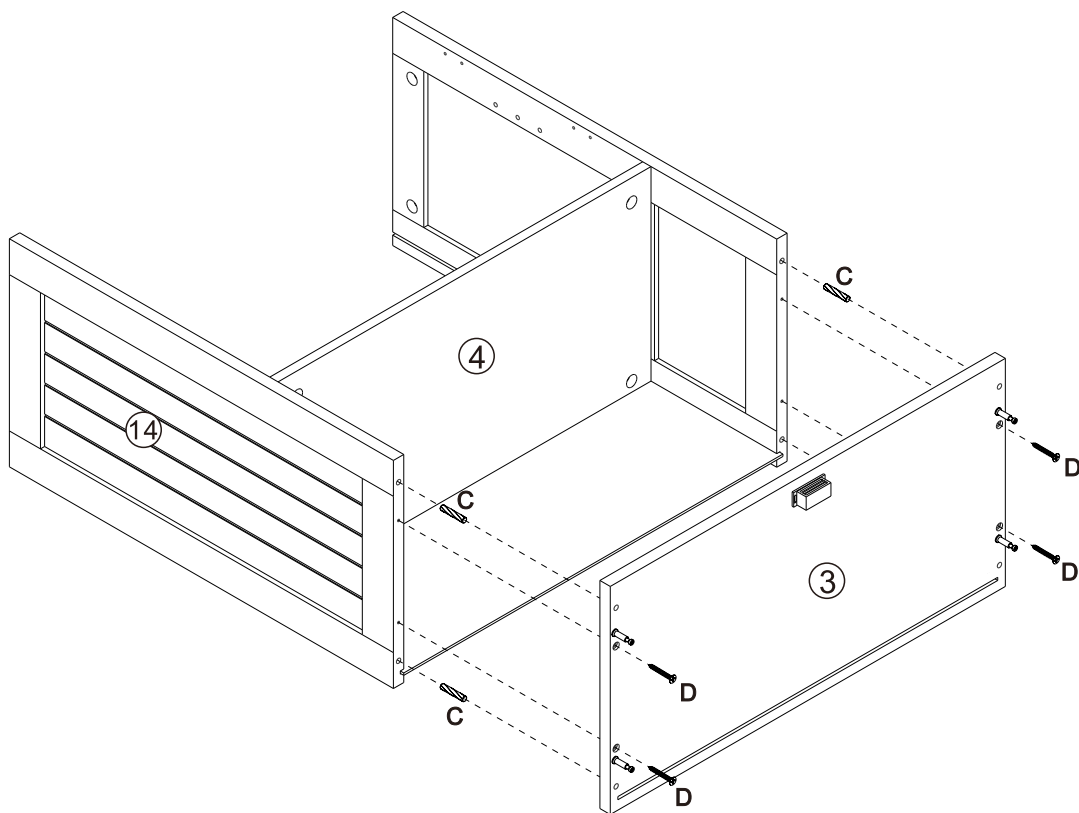
STEP 3



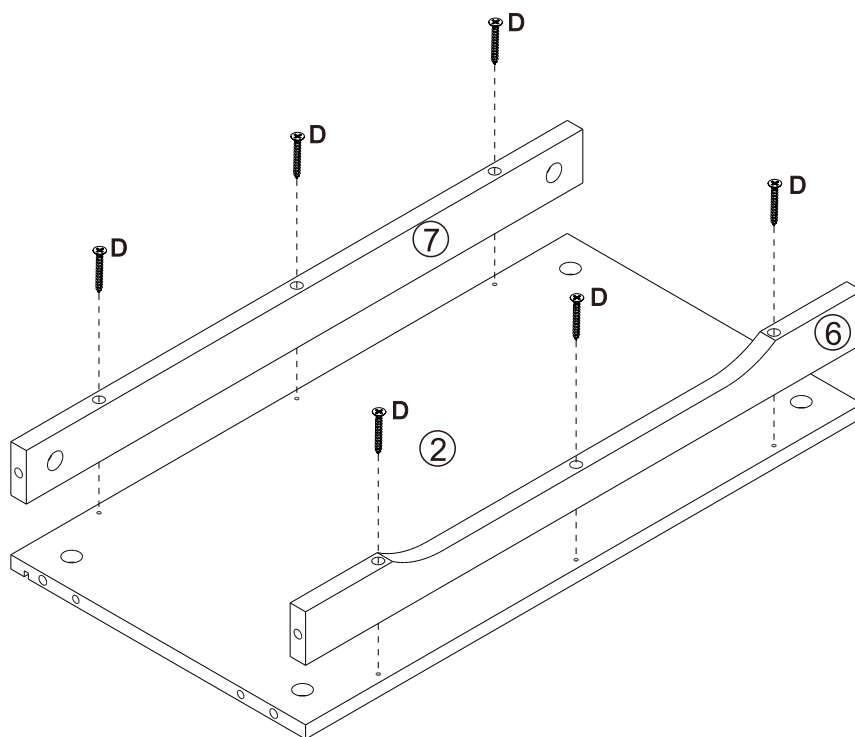
STEP 4



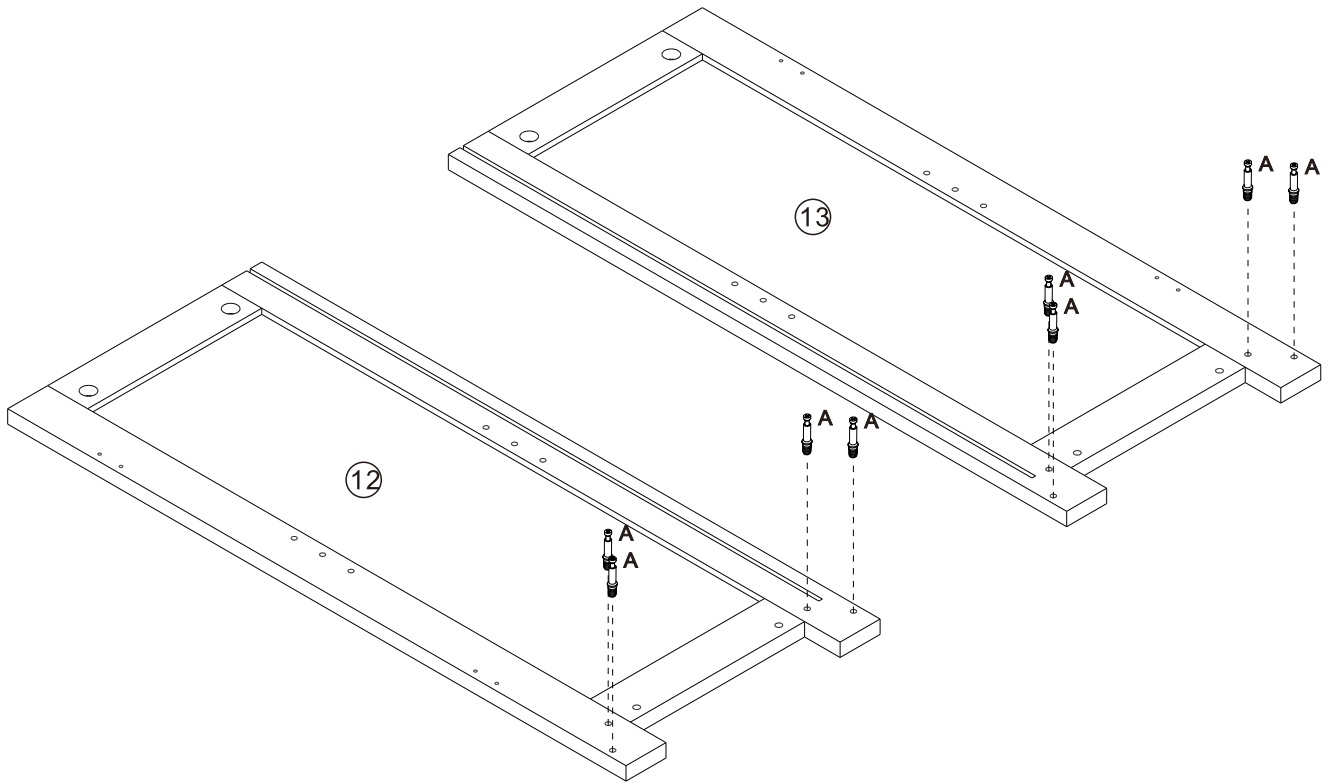
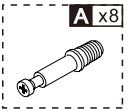
STEP 5



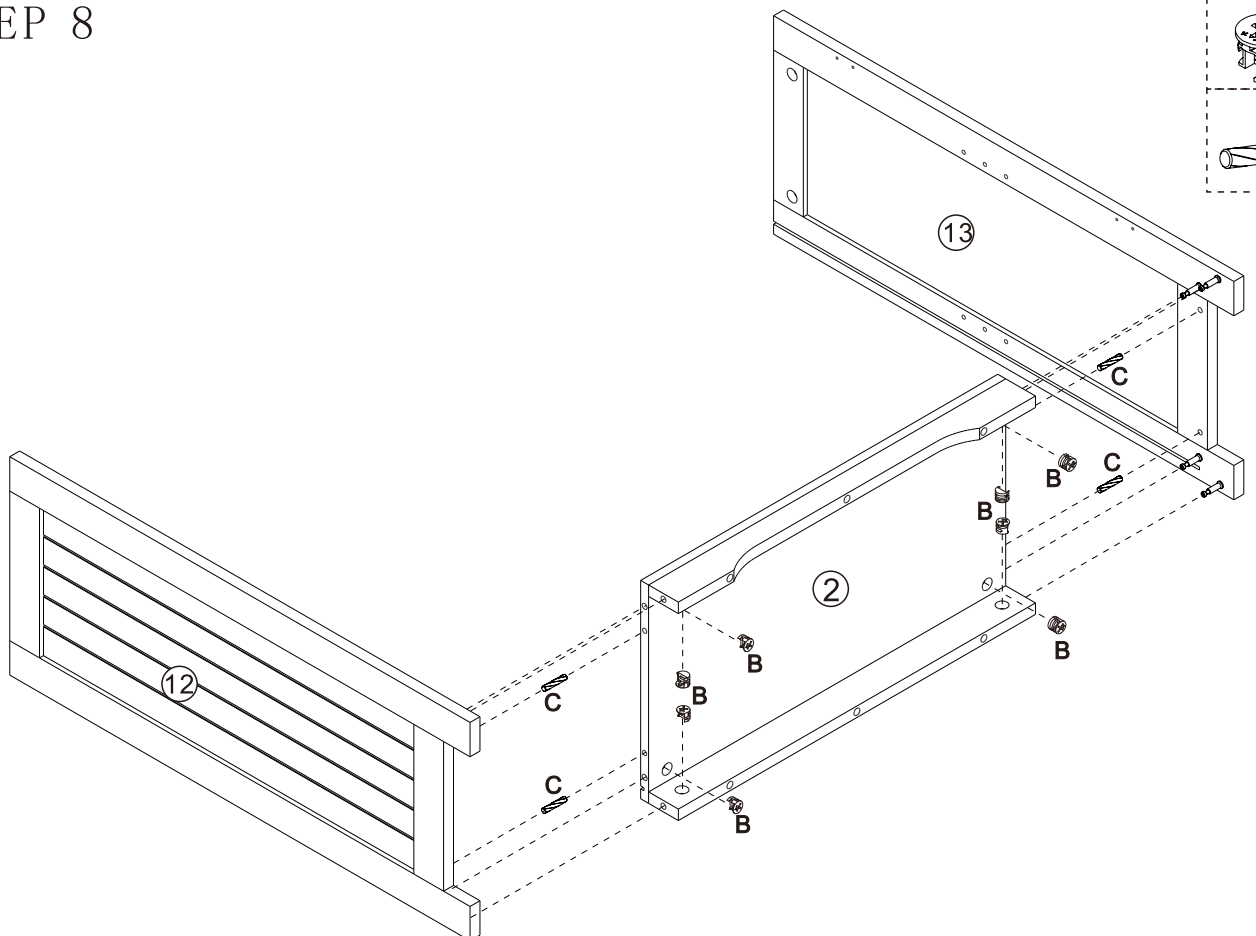
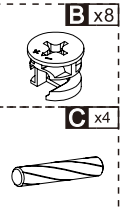
STEP 6



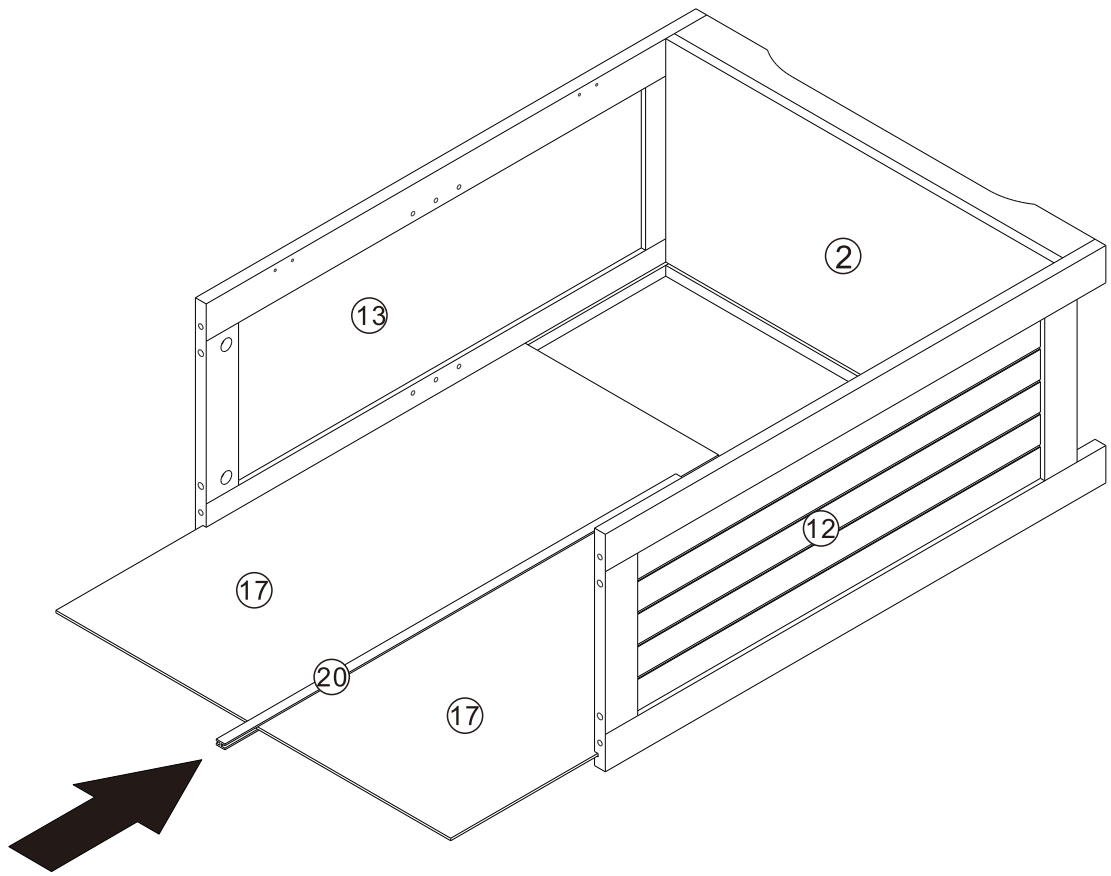
# STEP 7



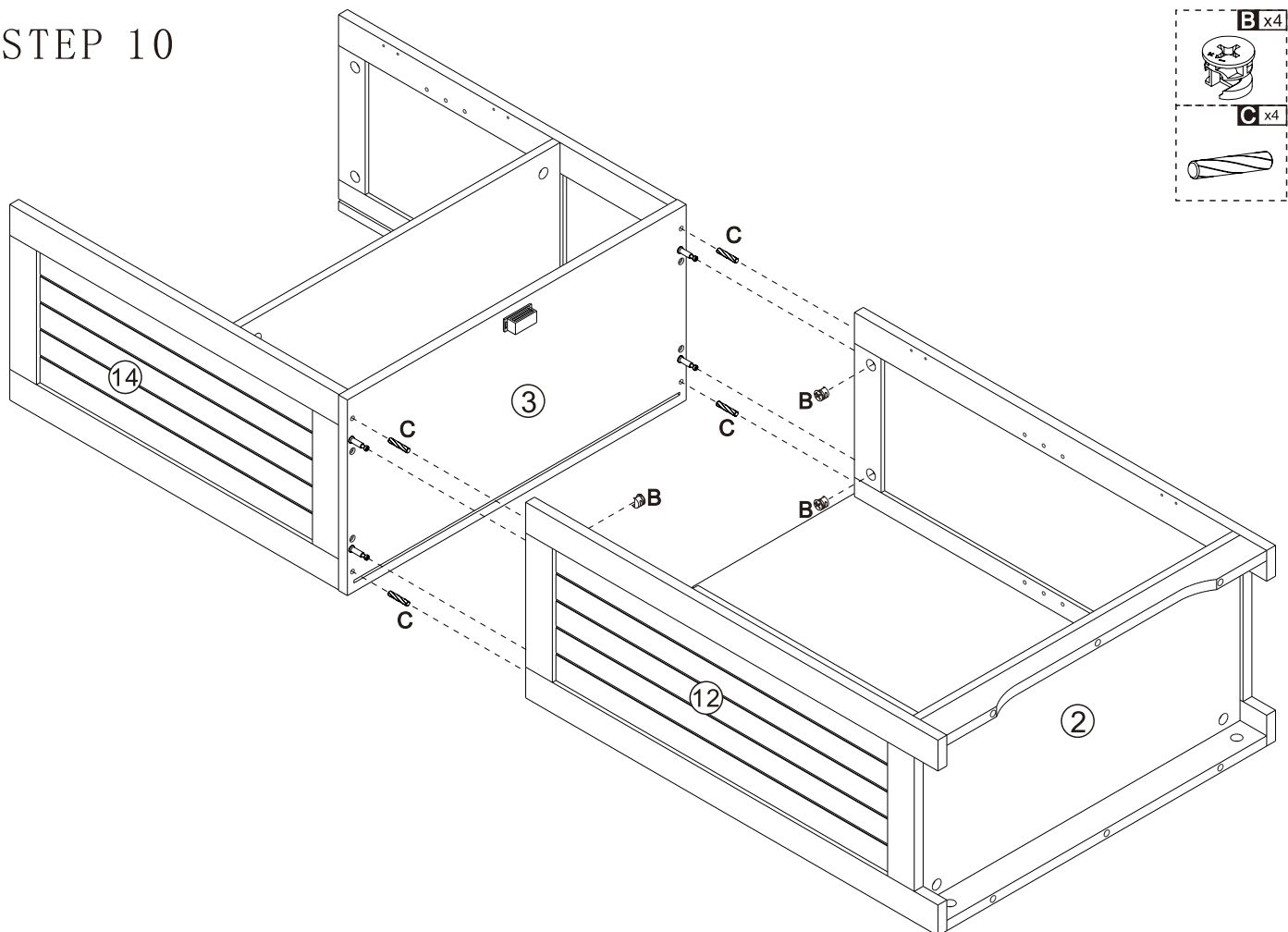
# STEP 8



STEP 9

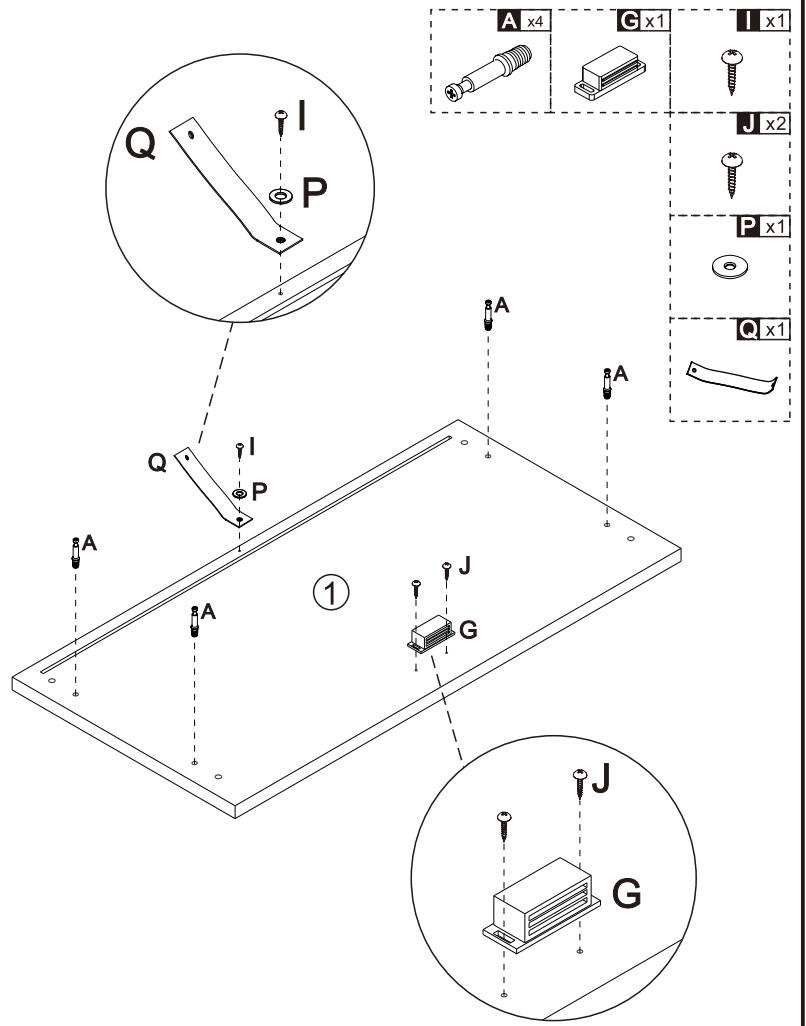
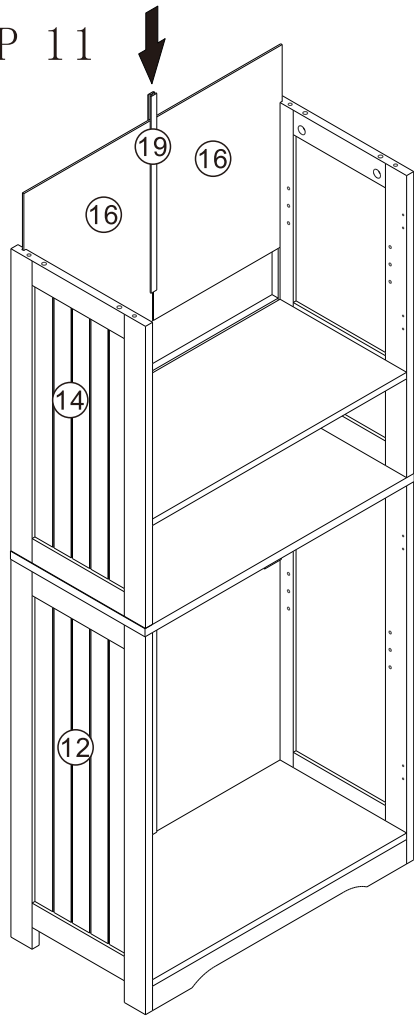


STEP 10

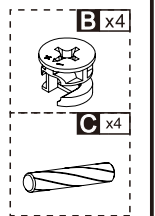
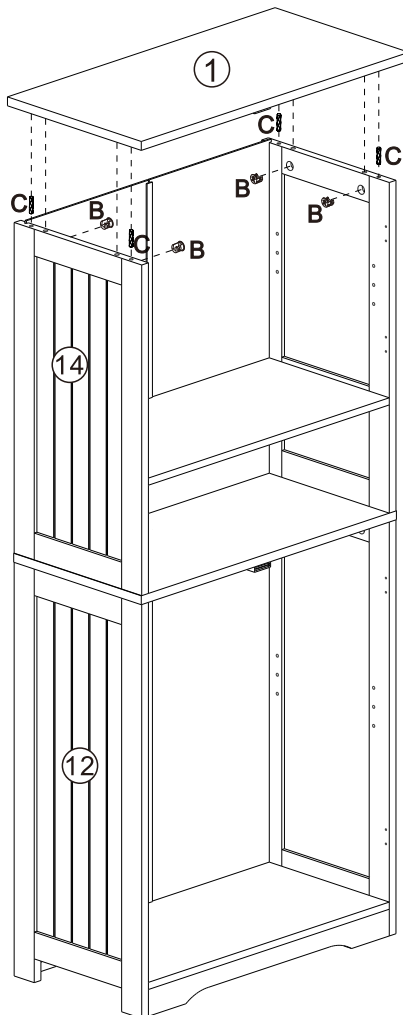




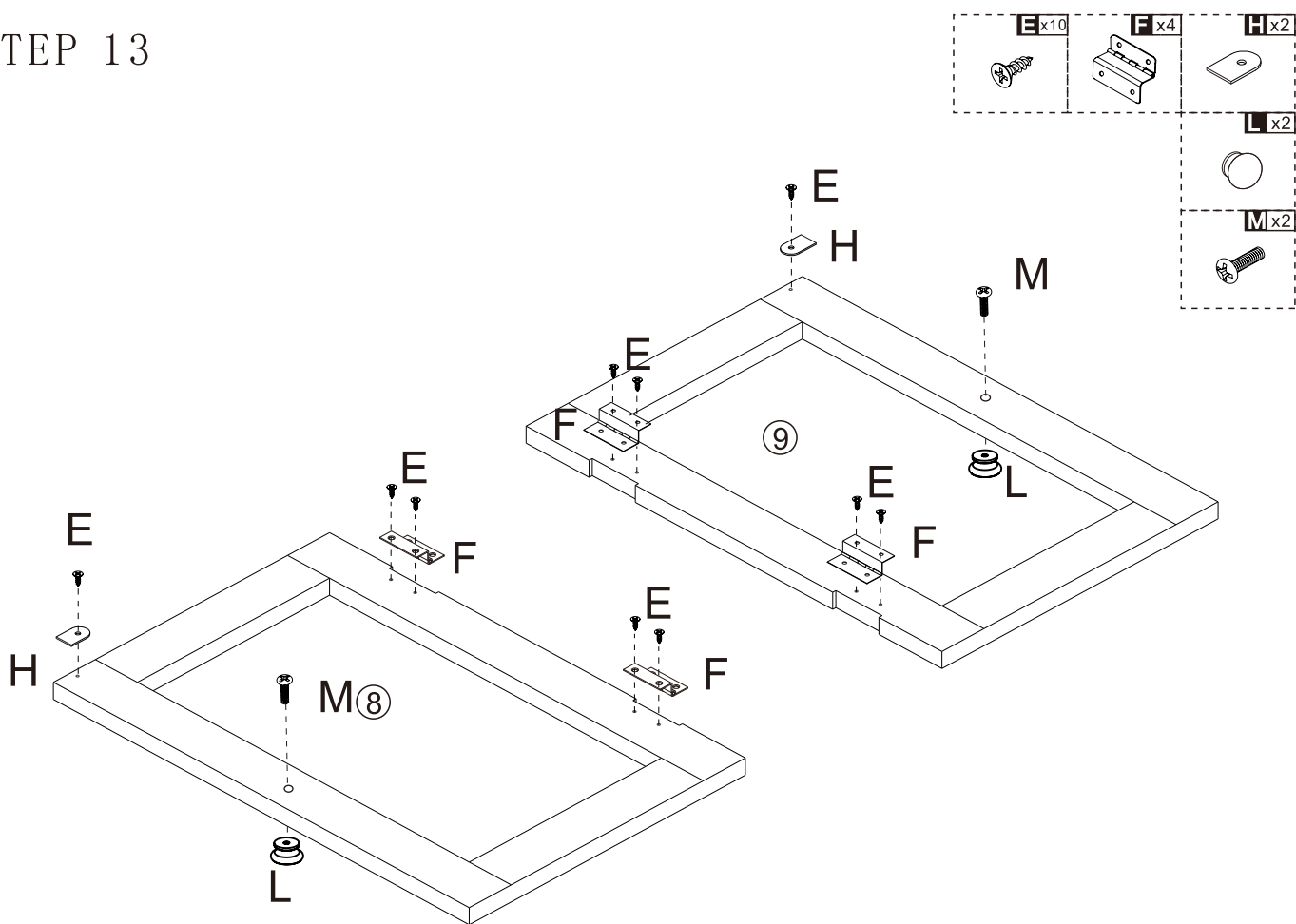
STEP 11



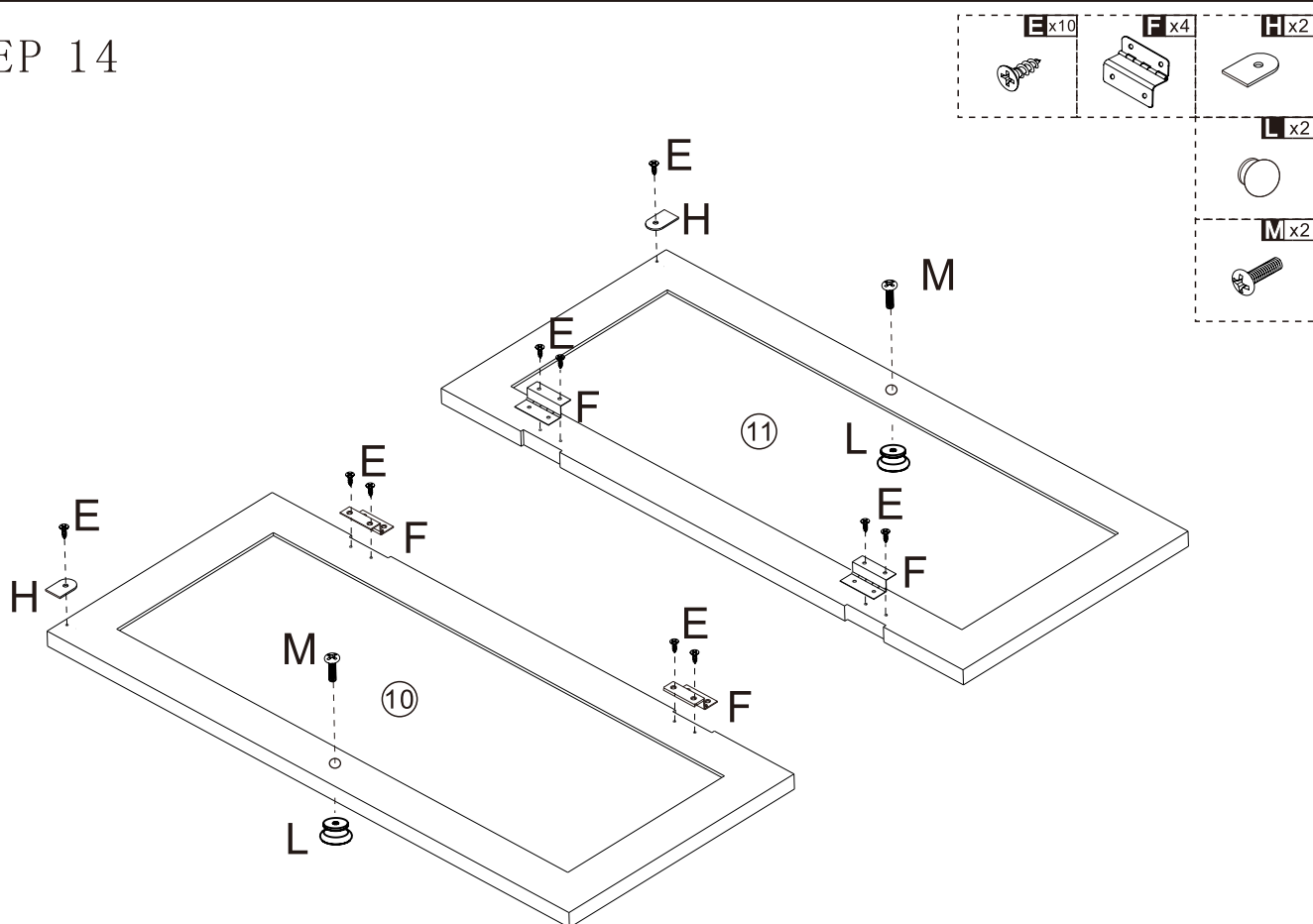
STEP 12



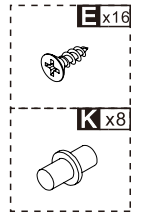
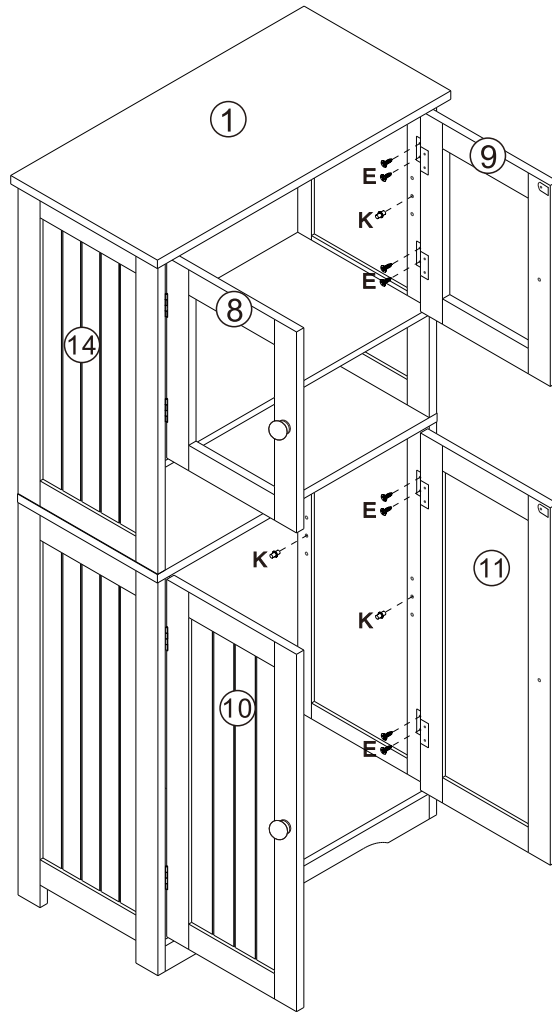
STEP 13



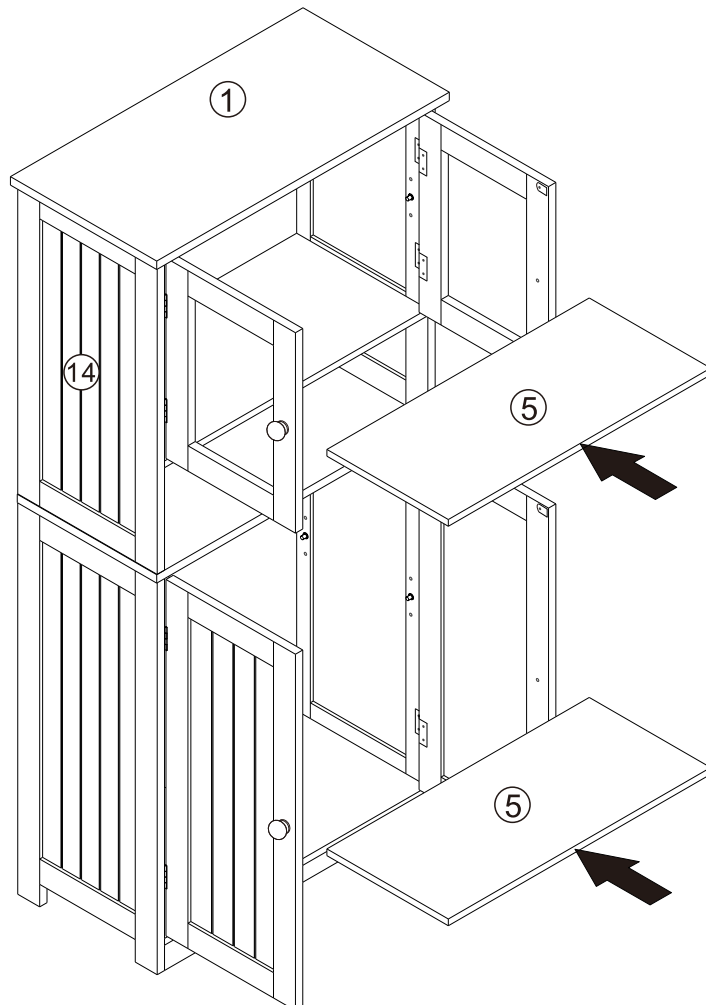
STEP 14



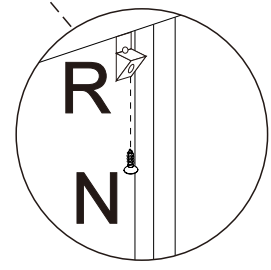
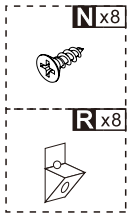
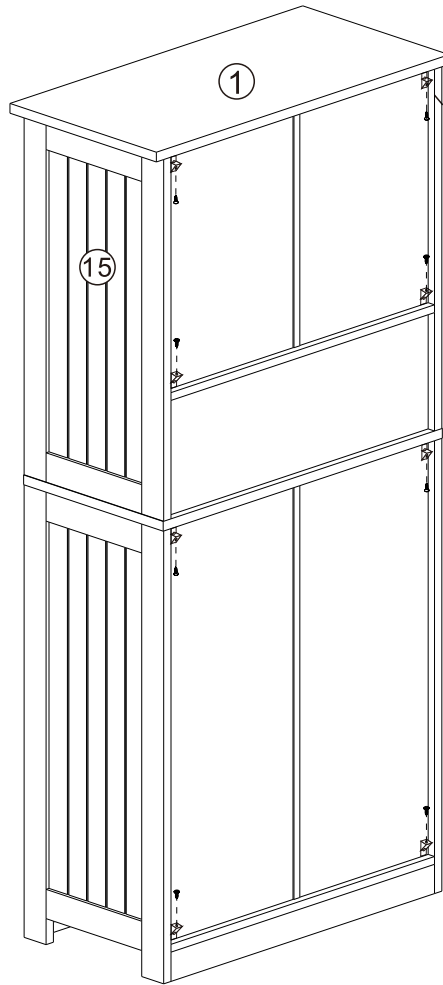
STEP 15



STEP 16



STEP 17



STEP 18

