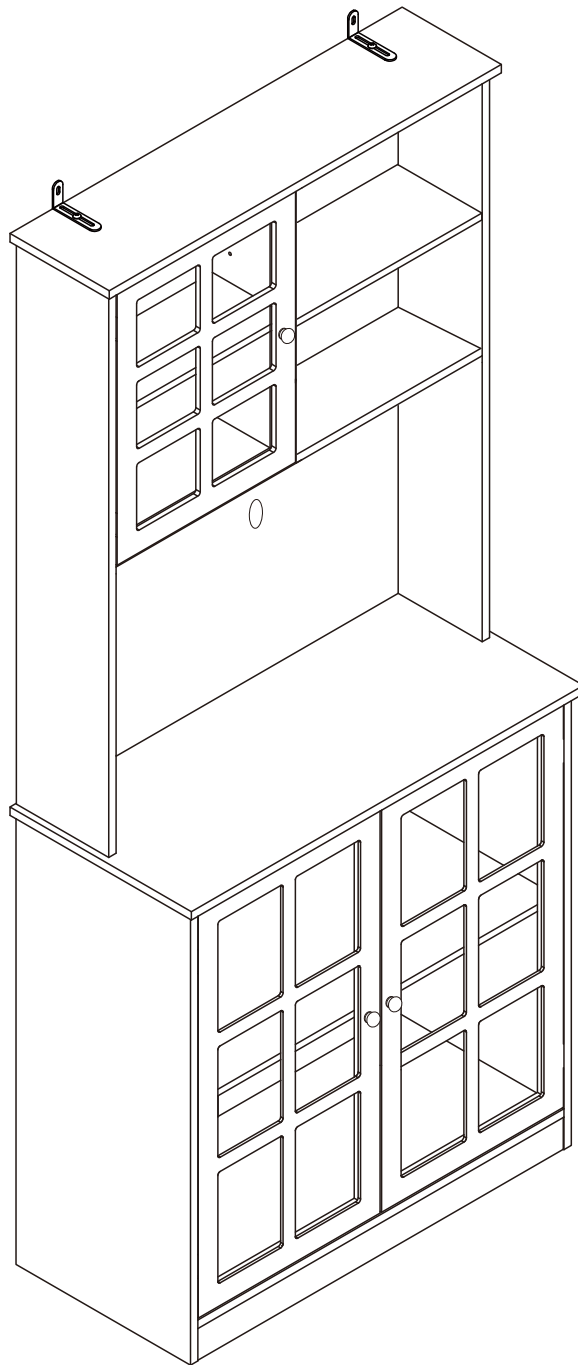


Open Concept



Kitchen Storage Pantry with Large Countertop - White

ASSEMBLY INSTRUCTION

EN

Thank you for purchase on our products. Please contact us if you have difficulty with assembly or need replacement parts. Our customer service is here to assist you.

WARNING

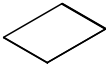


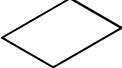

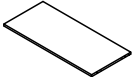



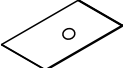
Serious or fatal injury may occur from unexpected assembly or use.

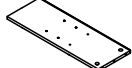

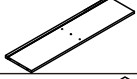
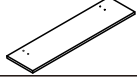


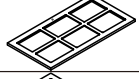
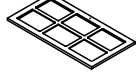

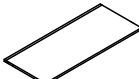
1. During the assembly process, keep all parts away from babies or children.
2. Always securely fix this product to the wall. Make sure the wall area to be drilled is free from hidden electrical wires, water and gas pipes.
3. Use of tip-over restraints may only reduce, but not eliminate the risk of tip-over.
4. Unless specially designed to accommodate, do not set heavy objects on top of this product.
5. Place the heaviest items on the lowest shelf.
6. Never allow children to climb or bang on drawers, doors or shelves.











Parts List




BOX-1/2

BOX-2/2

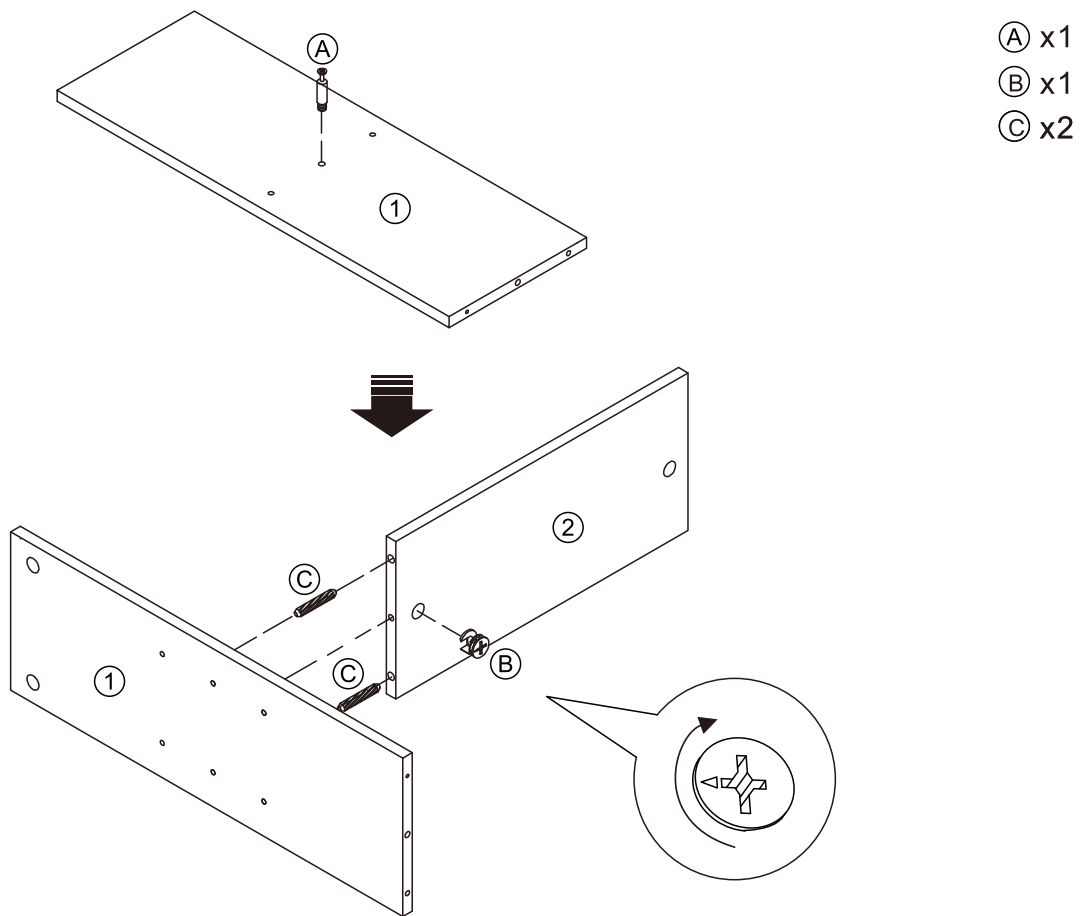
PART NO	PARTS	QTY
4		1
5		1
6		1
7		1
9		1
10		1
11		1
13		2
14		2
20		1

1		1
2		1
3		1
8		1
12		1
15		1
16		1
17		1
18		1
19		1

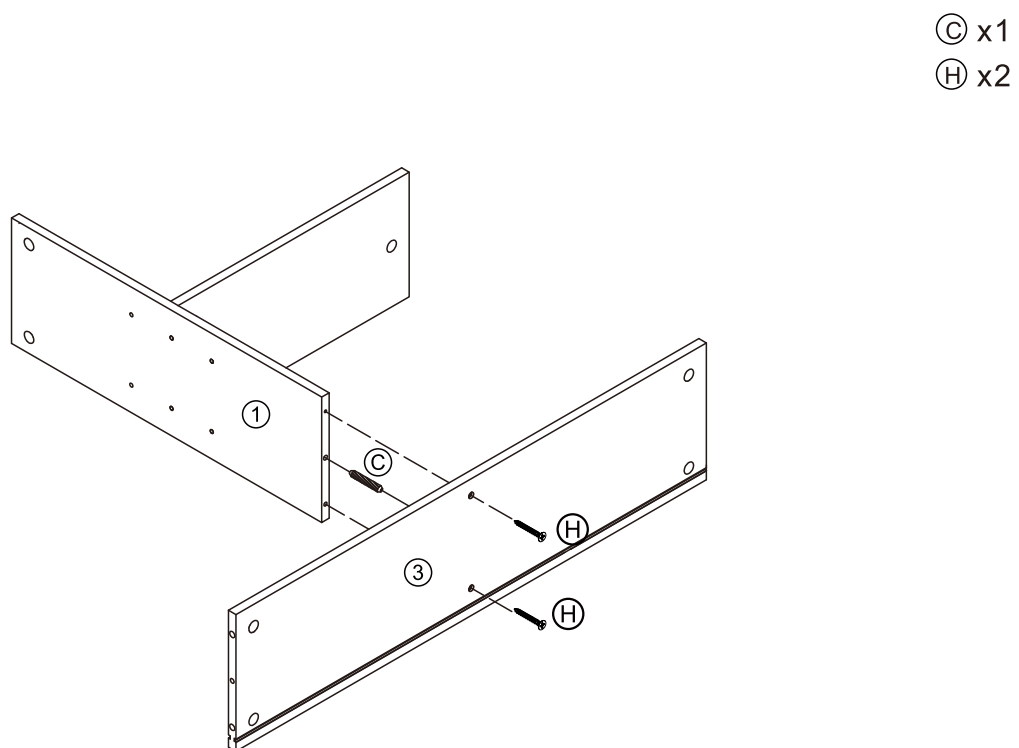
PART NO.		QTY
A		32
B		32
C		28
D		3
E		3
F		6
G		2
H		6
I		4
J		36

K		6
L		12
M		12

STEP 1

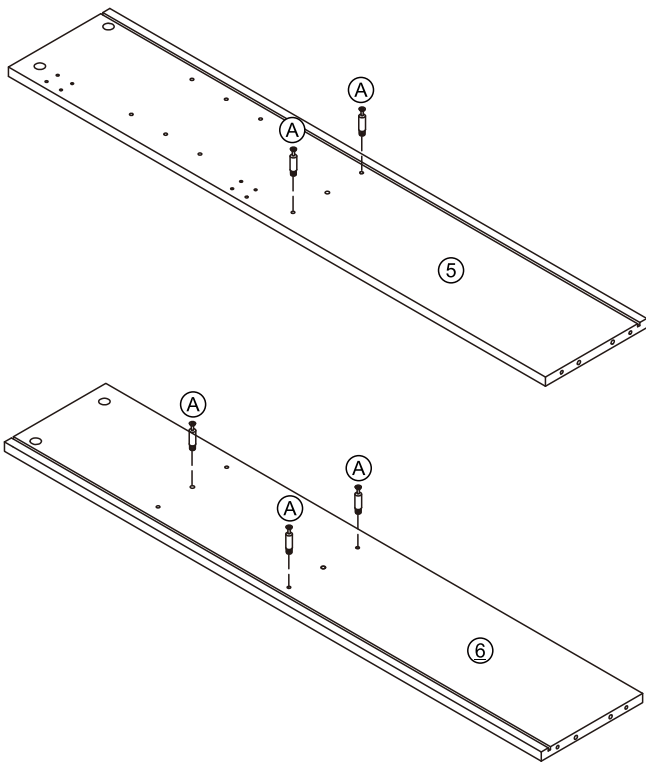


STEP 2



STEP 3

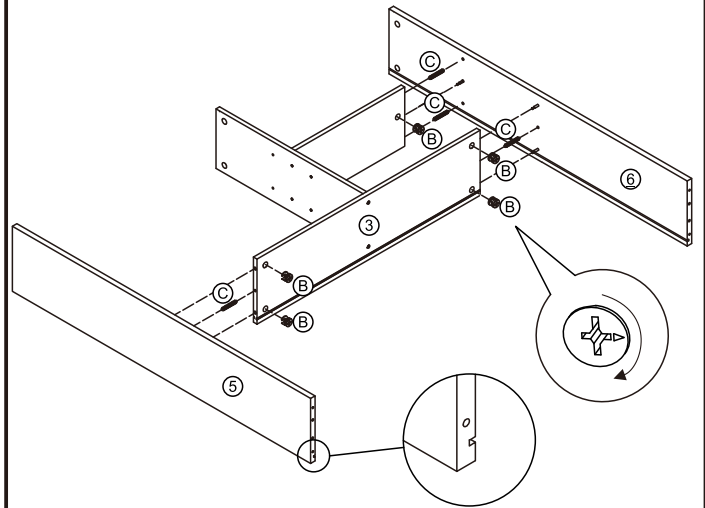
(A) x5



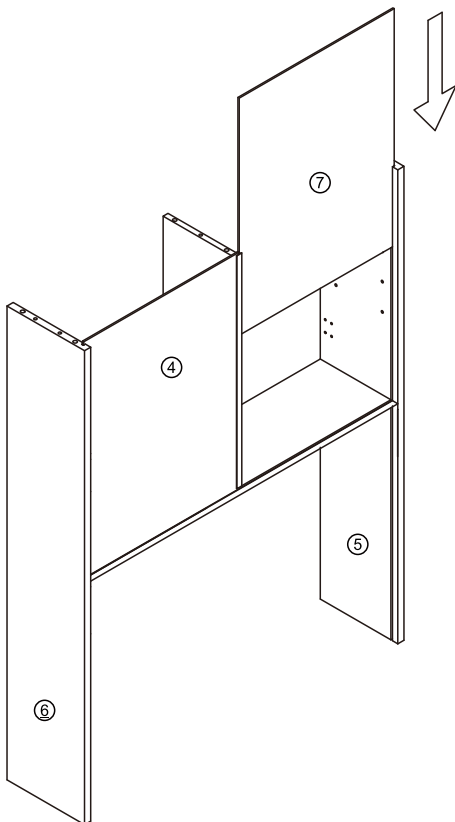
STEP 4

(B) x5

(C) x4



STEP 5

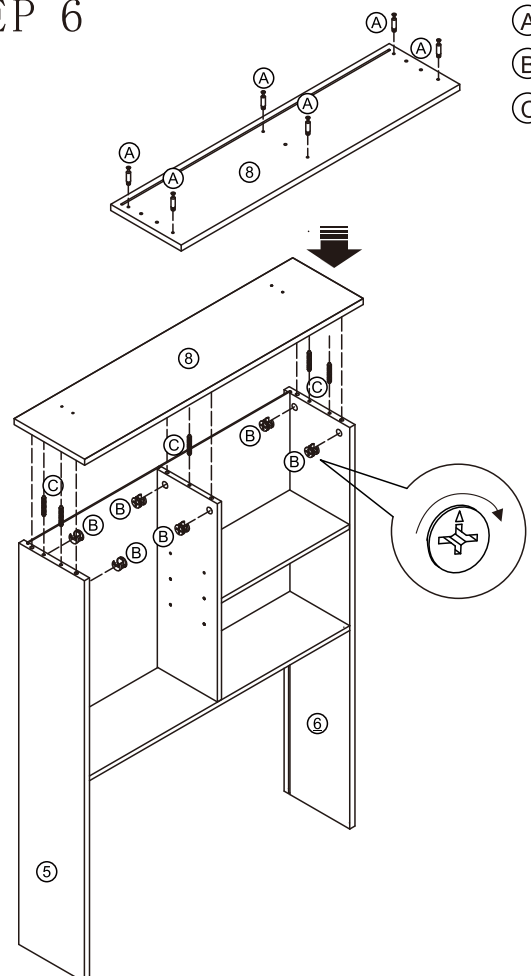


STEP 6

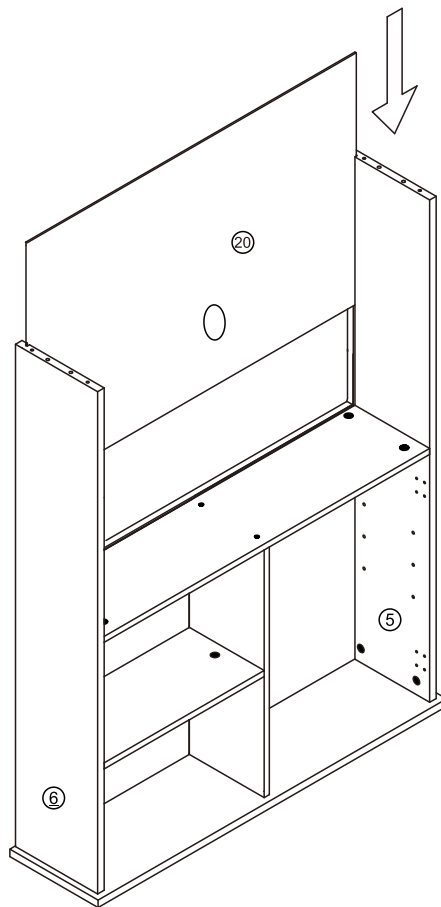
(A) x6

(B) x6

(C) x5

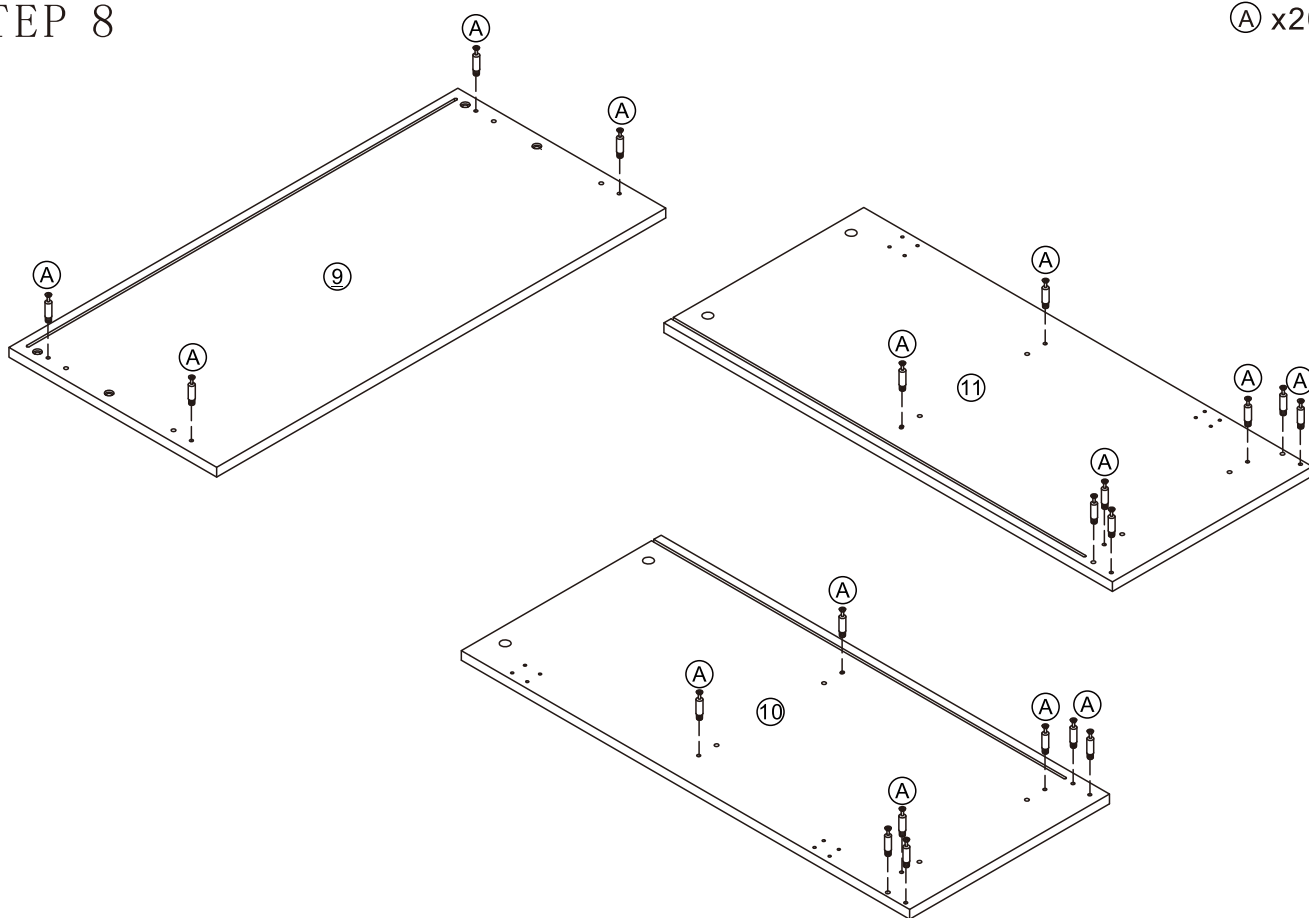


STEP 7



STEP 8

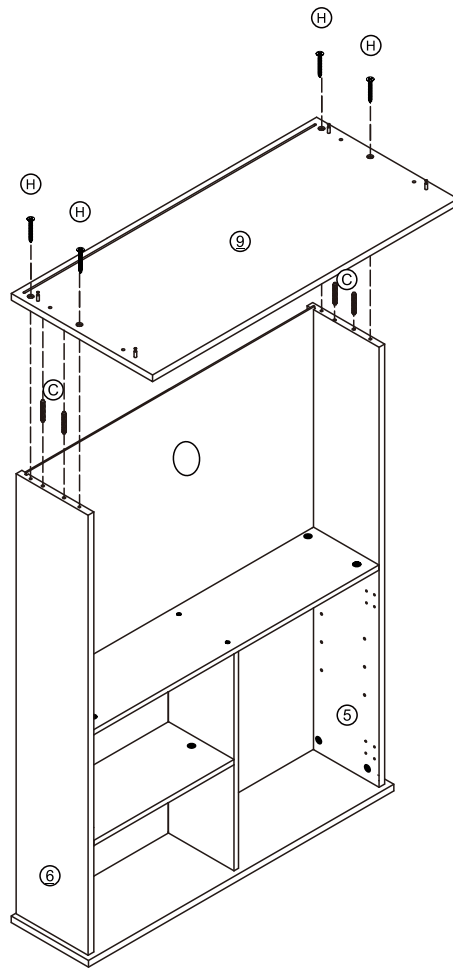
(A) x20



STEP 9

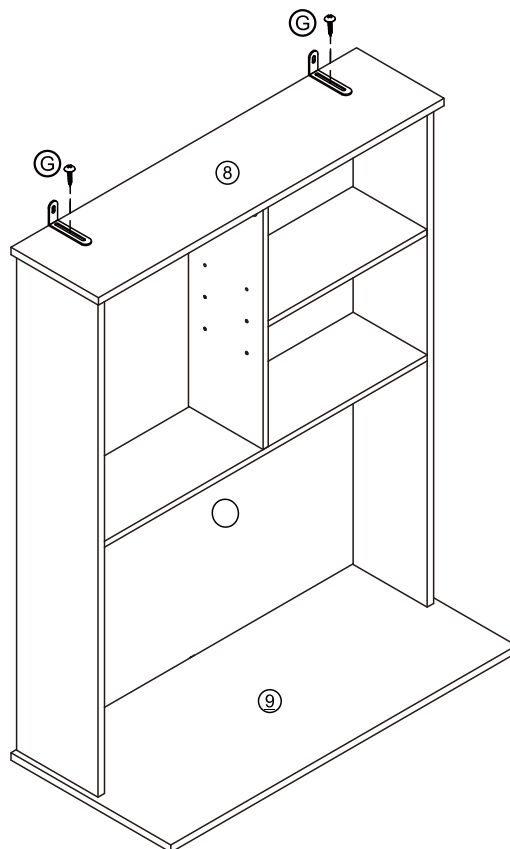
Ⓜ x4

Ⓒ x4



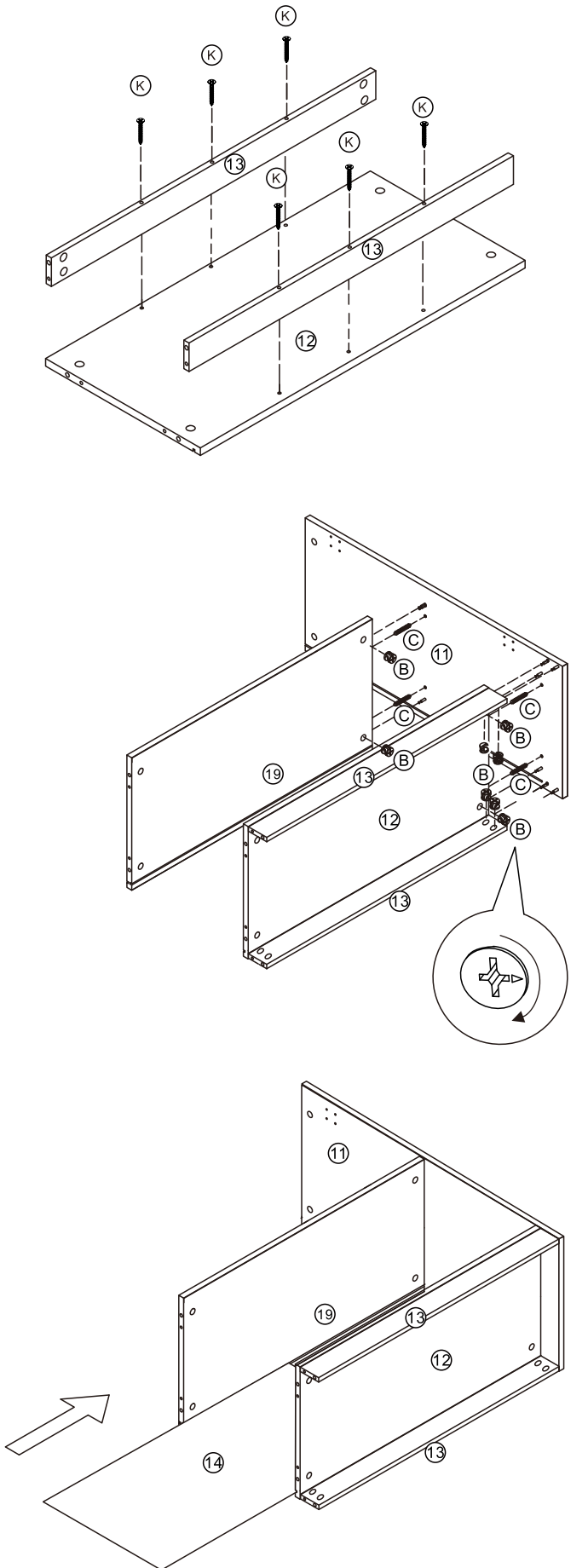
STEP 10

Ⓔ x2



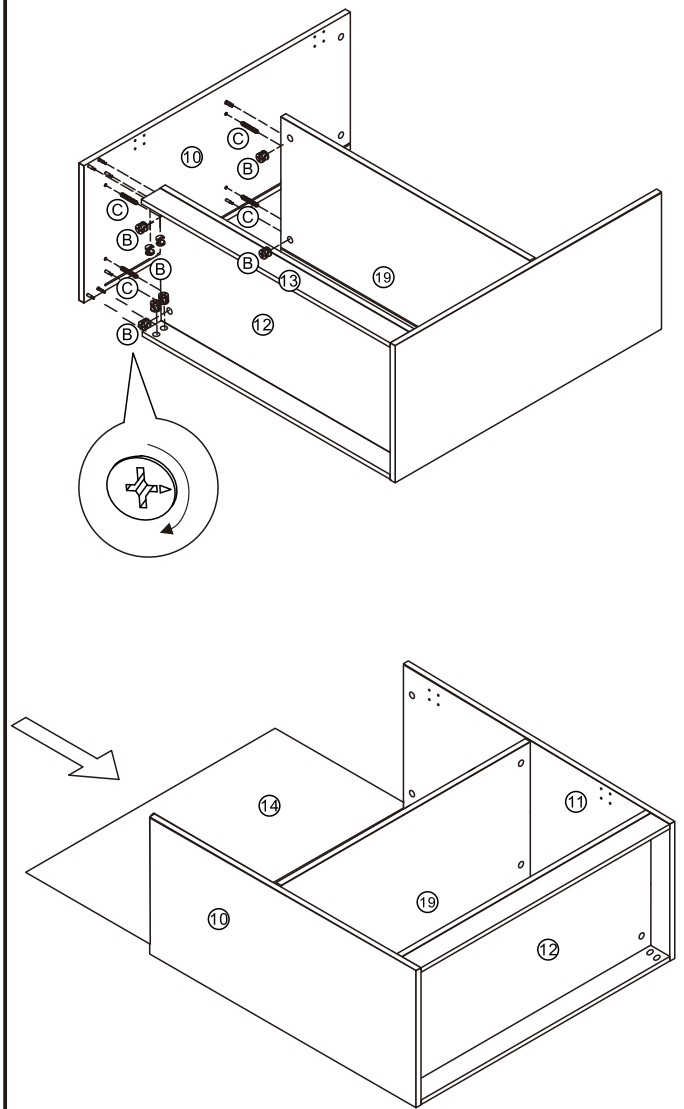
STEP 11

- (K) x6
- (B) x8
- (C) x4



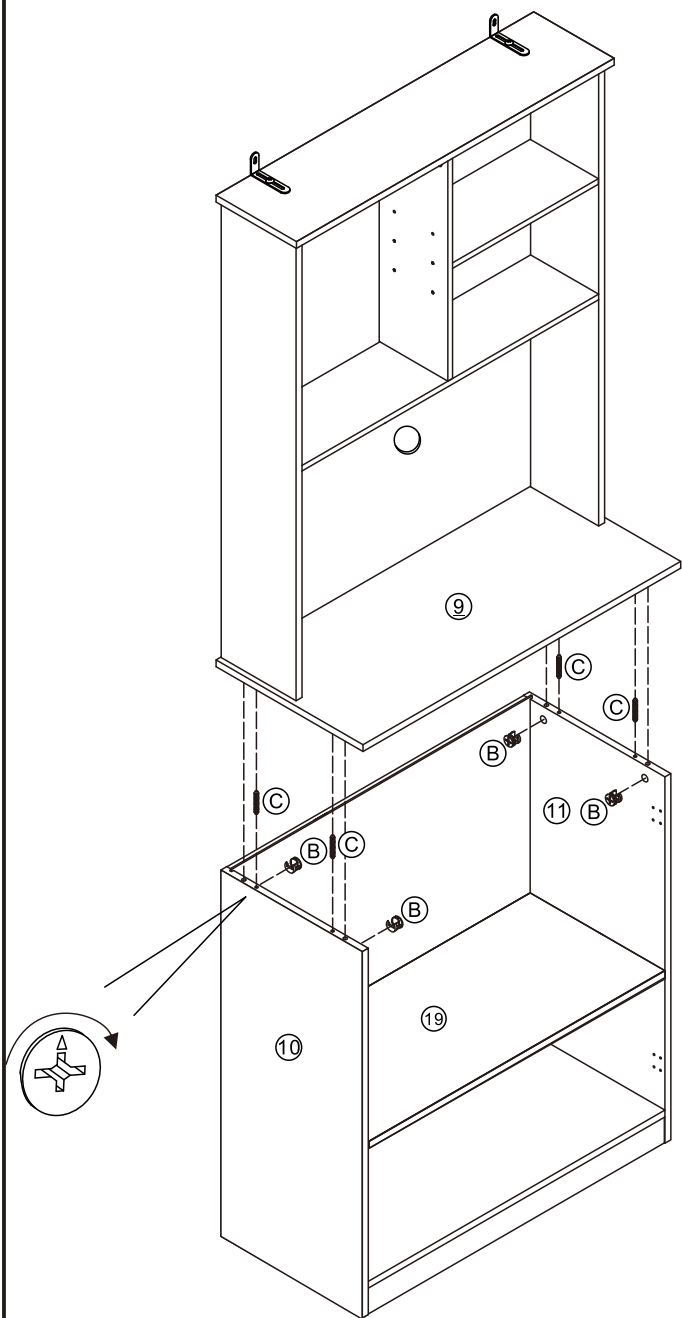
STEP 12

- (B) x8
- (C) x4



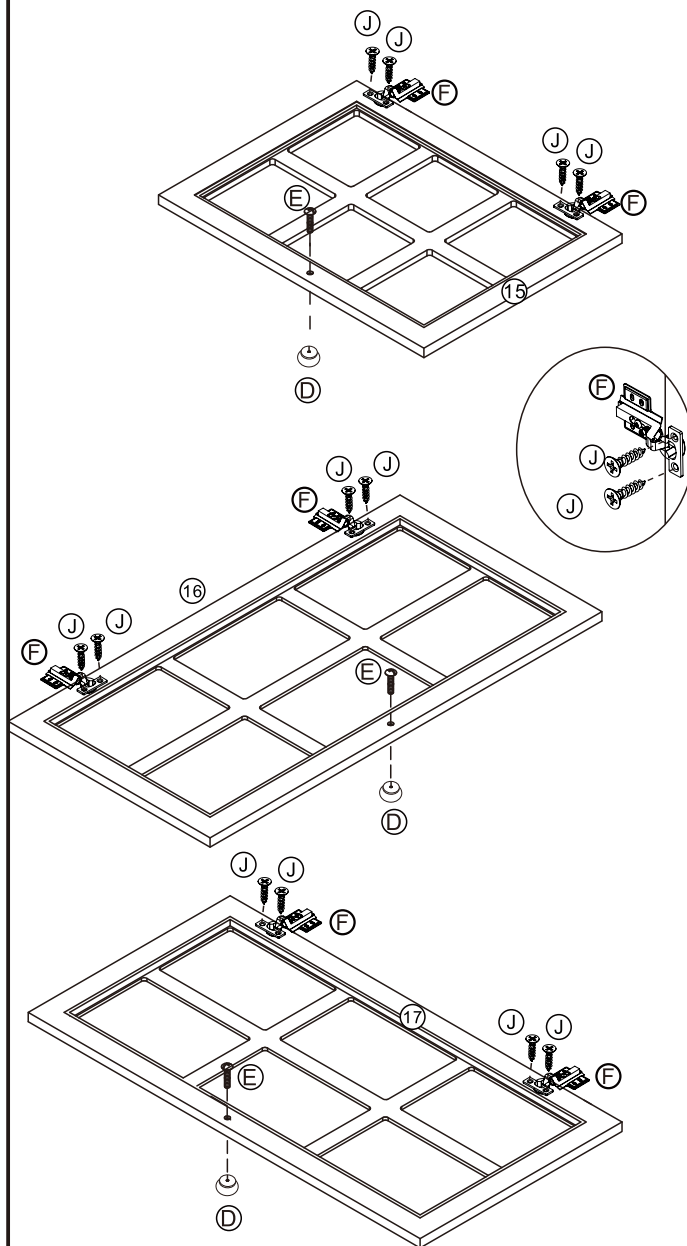
STEP 13

- ⓑ x4
- ⓒ x4



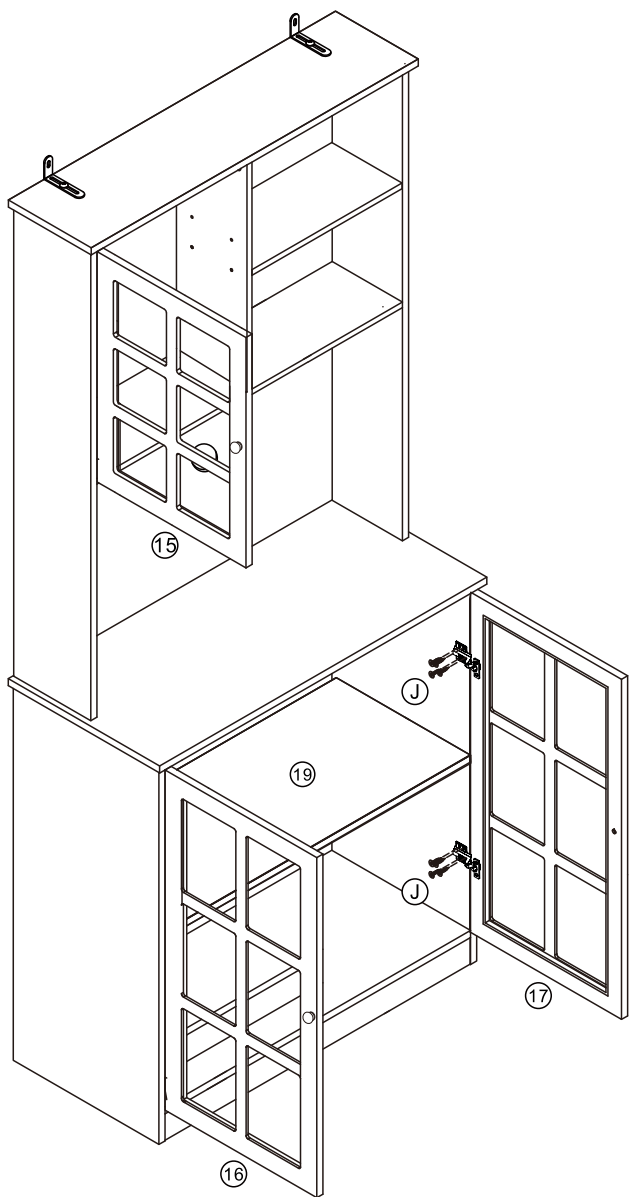
STEP 14

- ⓓ x3
- ⓔ x3
- ⓕ x6
- ⓙ x12



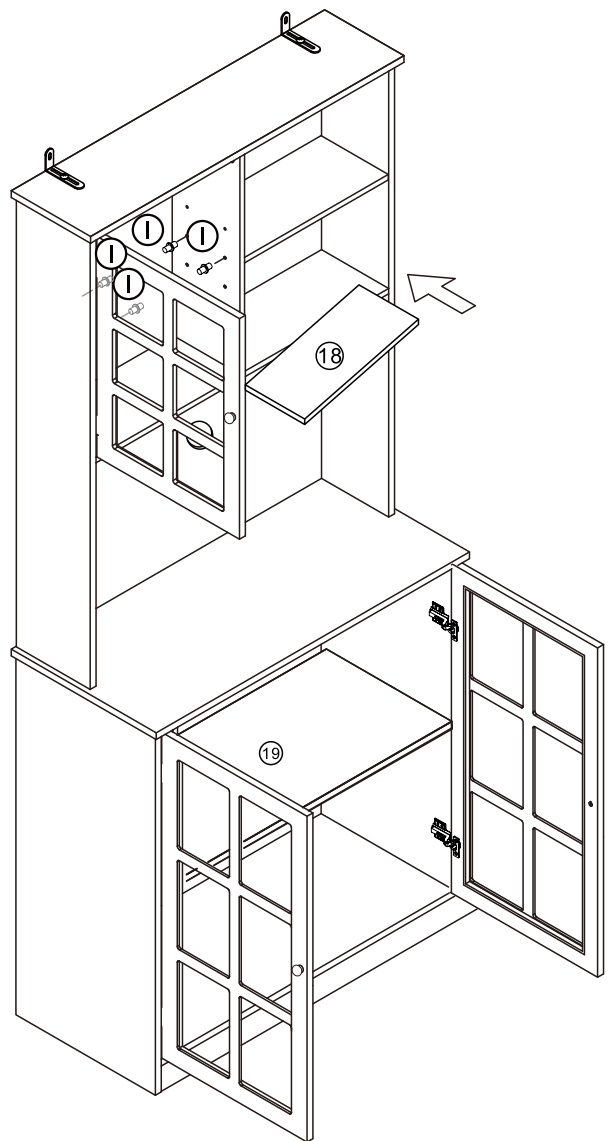
STEP 15

ⓐ x24



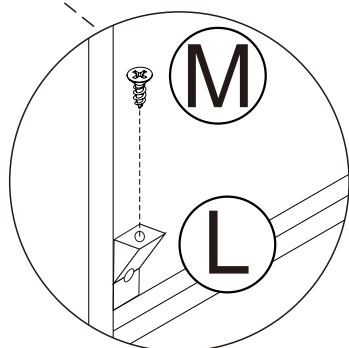
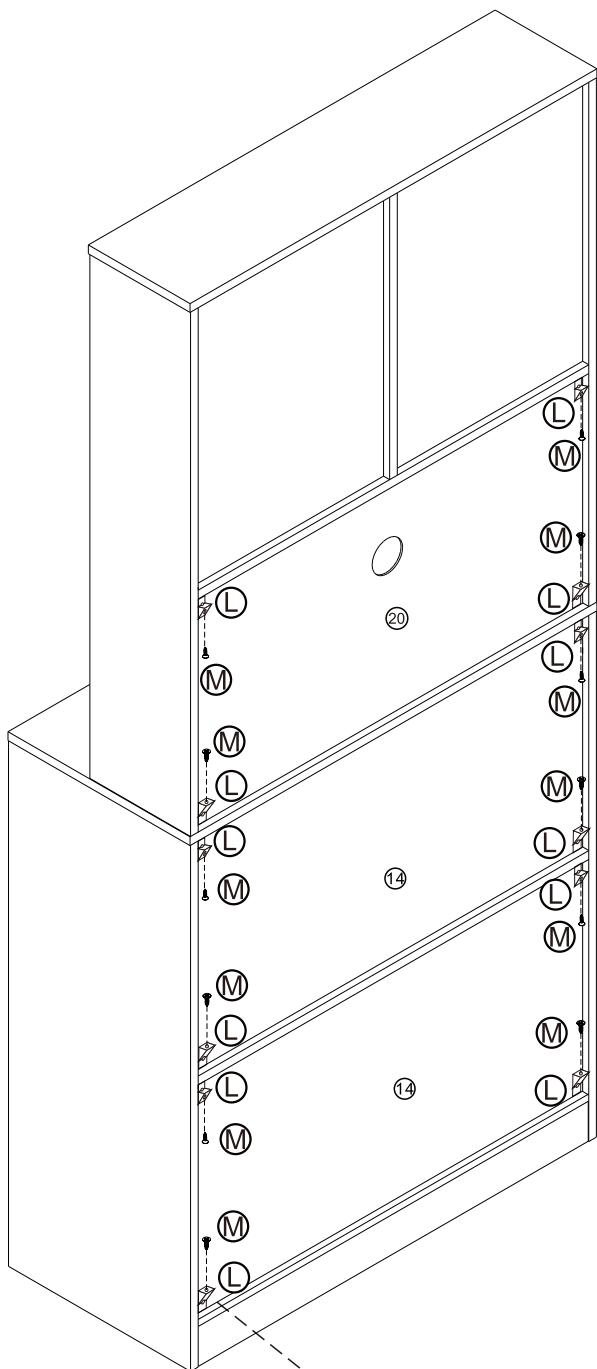
STEP 16

ⓑ x4



STEP 17

Ⓛ x12
Ⓜ x12



STEP 18

ⓐ x2

