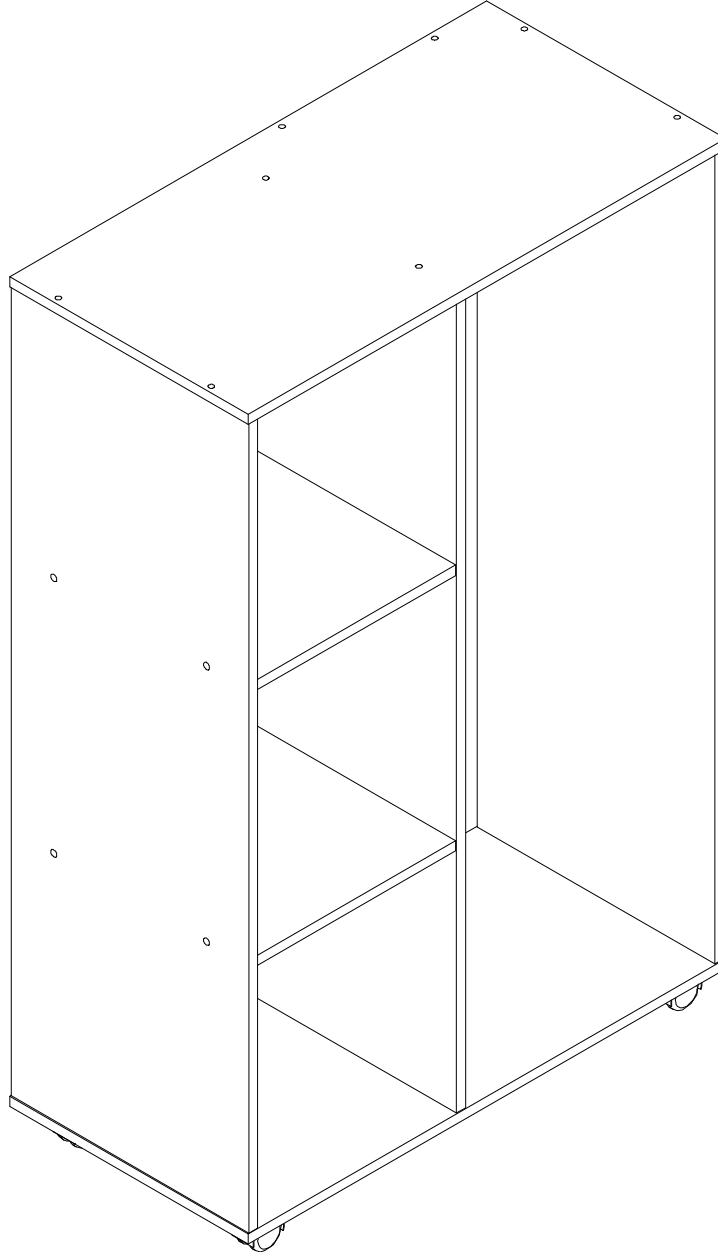


Open Wardrobe with Hanging Rail

Assembly Instructions - Thank you for your purchase.
Please follow the instructions below for correct assembly.

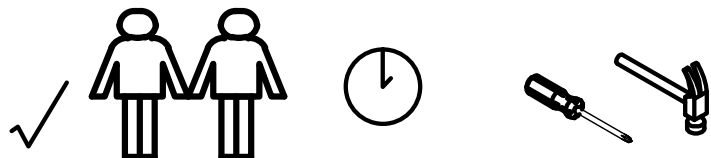


WARNING: Any furniture that is not anchored to a wall has the potential to tip over in certain circumstances, i.e. if a child attempts to climb up on the furniture or in the event of an earthquake. Accordingly, we recommend that all furniture is anchored to a wall. We supply a free safety wall anchor with all furniture sold and we recommend these are used to prevent your product tipping. The fixing device provided should fit most wall types, but please note that different wall materials may require different fixing devices from those supplied.

Safety and Care Advice

IMPORTANT - Please Read This Instruction Carefully Before Assembly.

- Check you have all the components and tools listed on page 3.
- Remove all settings from the plastic bags and separate them into their groups.
- Keep children and animals away from the work area, small parts could choke if swallowed.
- Make sure you have enough space to layout the parts before assembly.
- Do not stand or put weight on the product, this could cause damage.
- Assemble the item as close to it's intended position(in the same room) as possible.
- Assemble on a soft level surface to avoid damaging the unit.
- Parts of the assembly will be easier with 2 people.
- Do not use power drill/drivers for assembly, or the unit may be damaged.
- Dispose of all packaging carefully and responsibly.



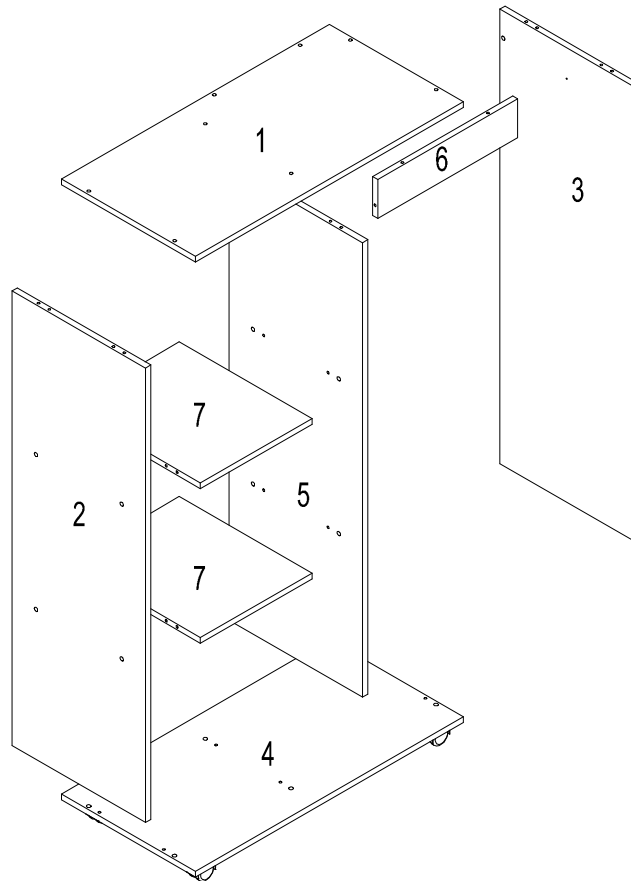
CARE and MAINTENANCE

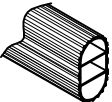

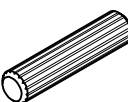

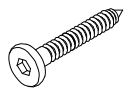
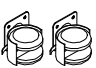
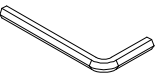
- Only clean using a damp cloth and mild detergent, do not use bleach or abrasive cleaners.
- From time to time check that there are no loose screws on this unit.
- This product should not be discarded with household waste. Take to your local authority waste disposal center.

Components and Tools




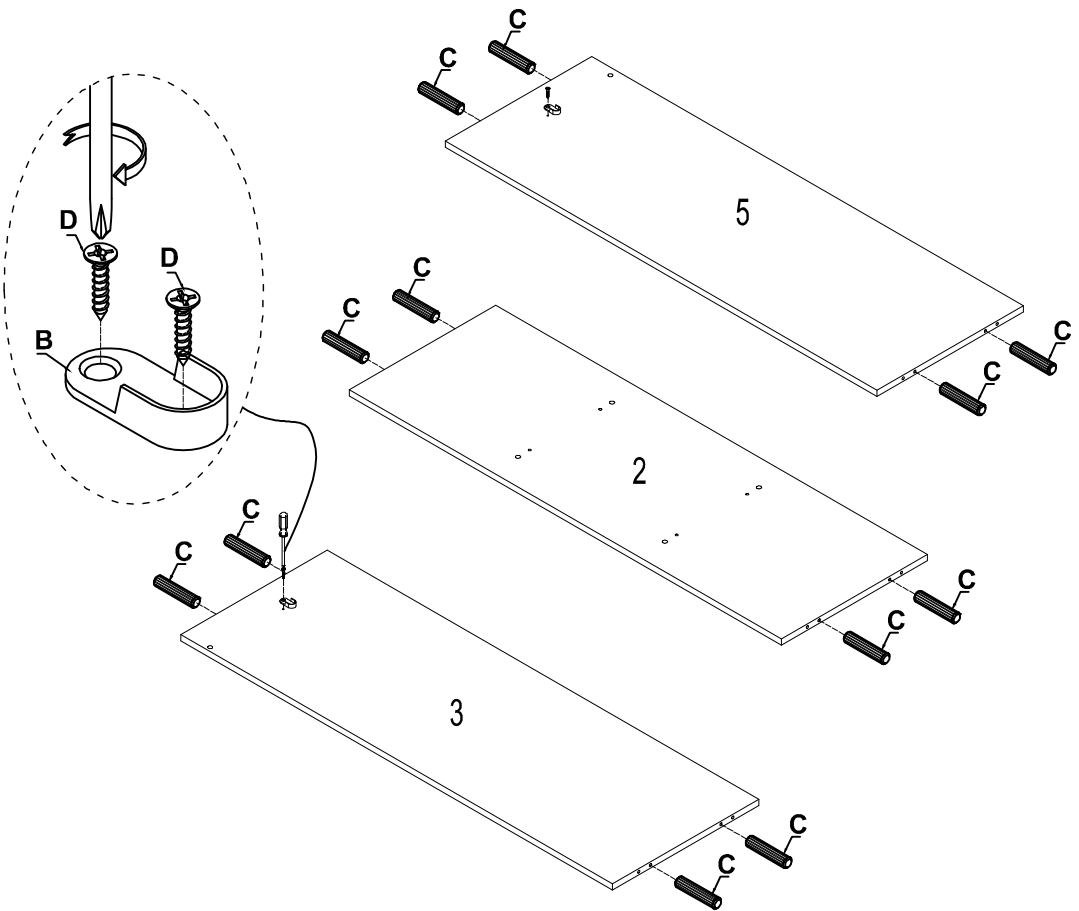
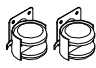

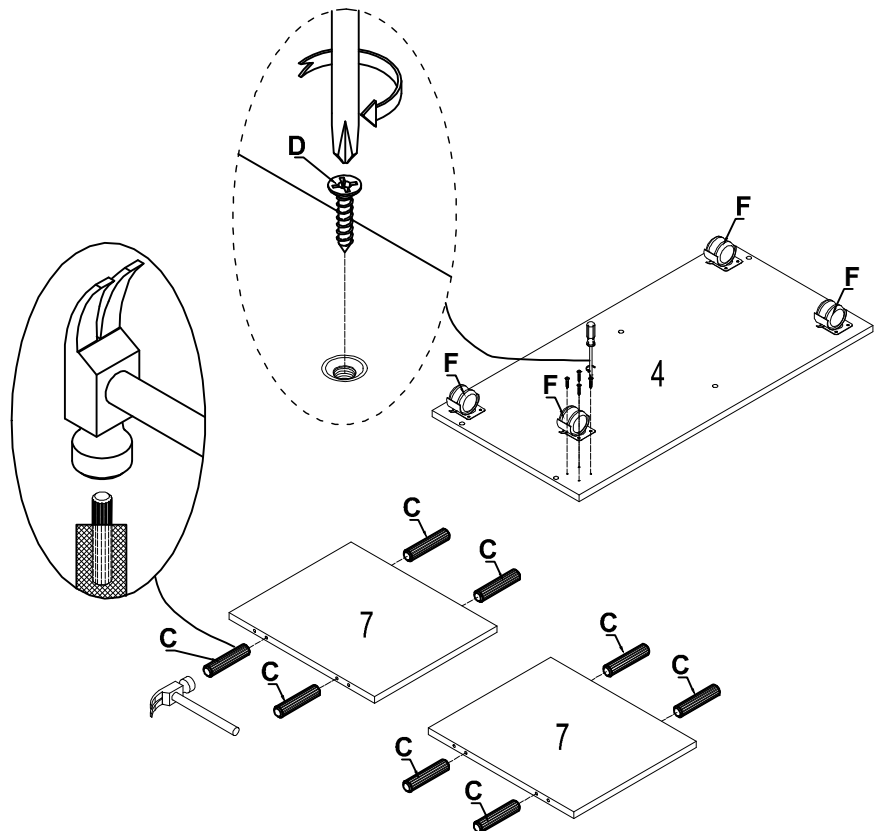
IMPORTANT - Please Check If You Have All The Components and Tools.

Note: The quantities below are the correct amount to complete the assembly. In some cases more pieces may be supplied than are required.



<p>A=1</p>  <p>Clothes Bar 412mm</p>	<p>B=2</p>  <p>Clothes Holder</p>	<p>C=20</p>  <p>Dowel M6*30mm</p>	<p>D=20</p>  <p>Screw M3.5*14mm</p>	<p>E=24</p>  <p>M7X45MM SCREW</p>	<p>F=4</p> 
<p>G=1</p> 					

Assembly Instruction

Step 1	
B=2	C=20
 Clothes Holder	 Dowel
D=4	
 Screw M3.5*14mm	
	
Step 2	
F=4	D=16
 Washer	 Screw M3.5*14mm
	

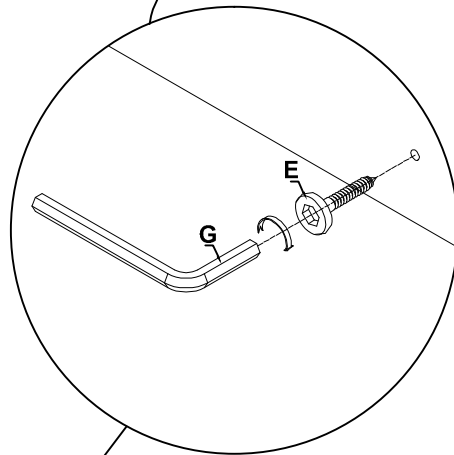
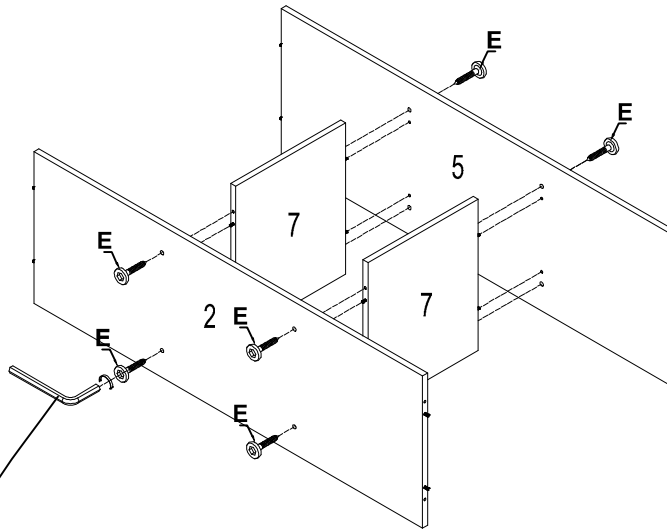
Assembly Instruction

Step 3

E=8 G=1



M7X45MM
SCREW

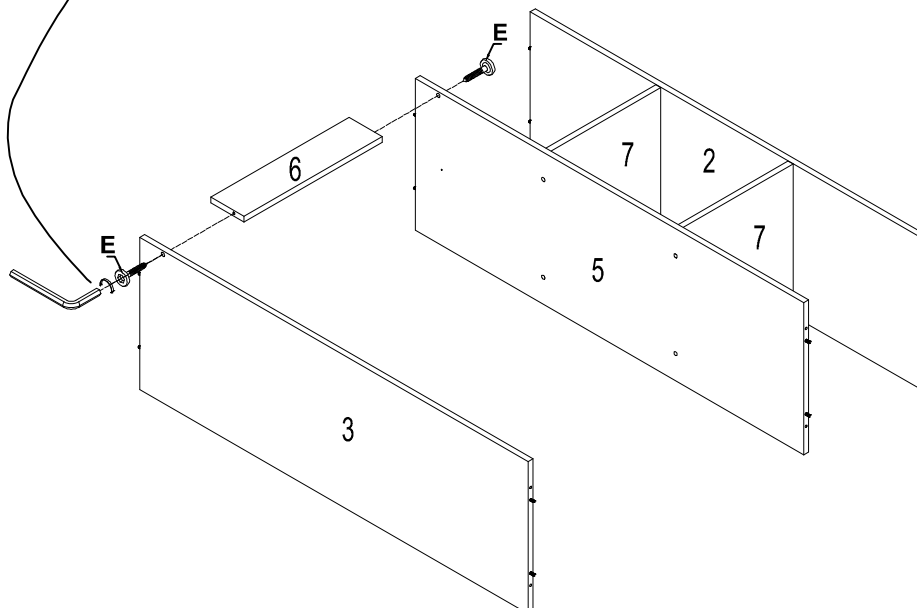


Step 4

E=2



M7X45MM
SCREW



Assembly Instruction

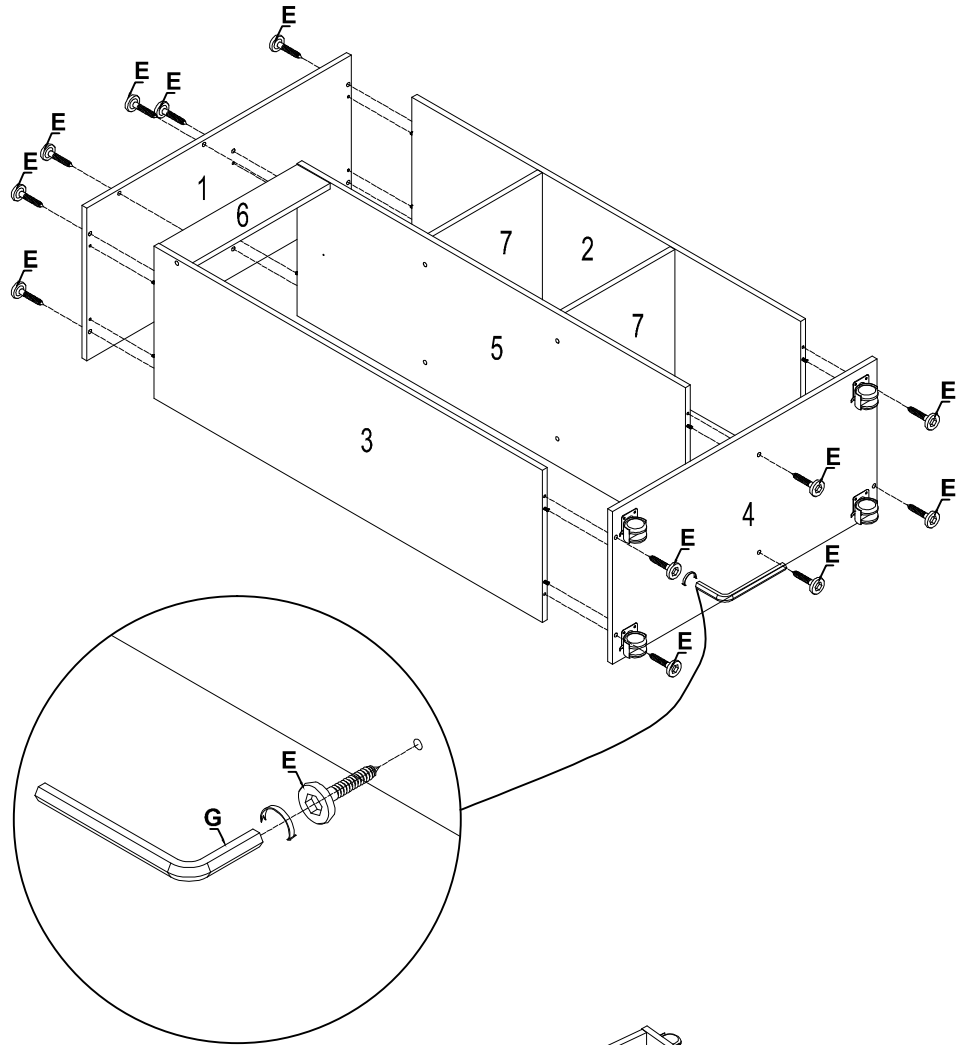
Step 5

E=14

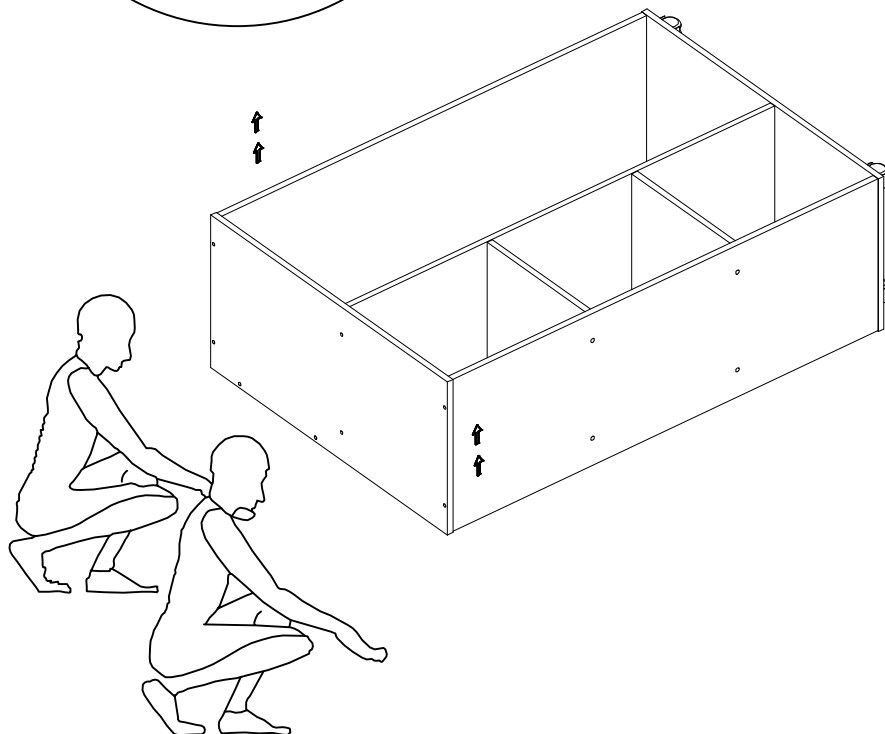
G=1



M7X45MM
SCREW



Step 6



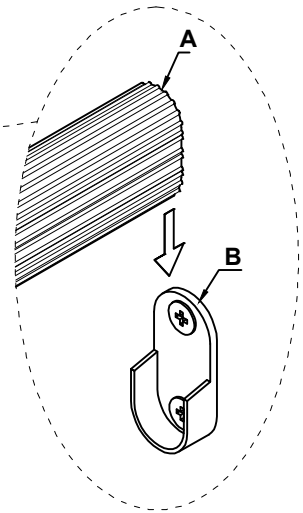
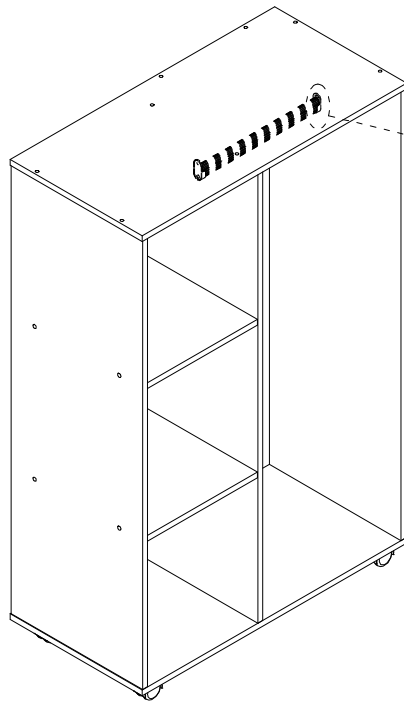
Assembly Instruction

Step 7

A=1



Clothes Bar



Step 8

