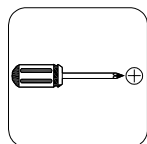
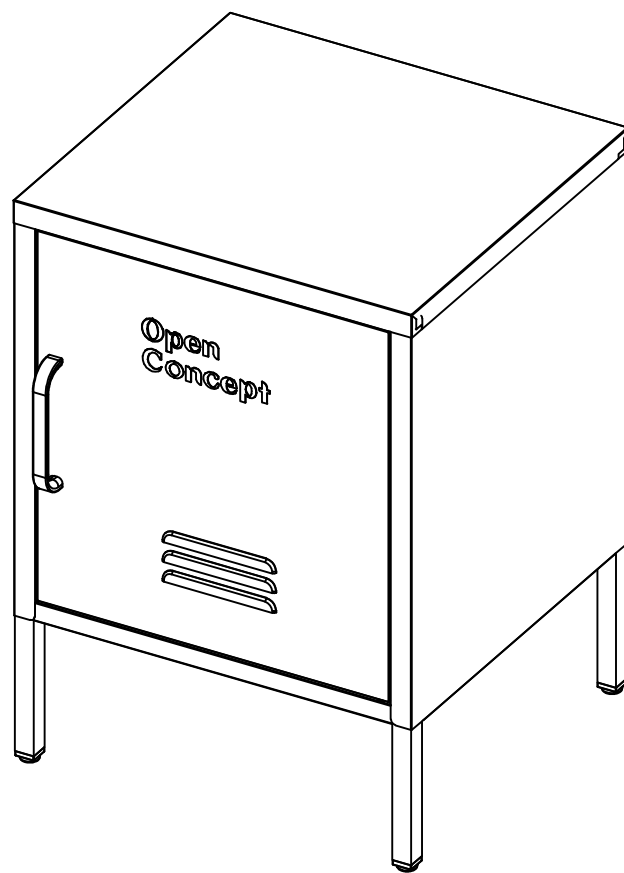
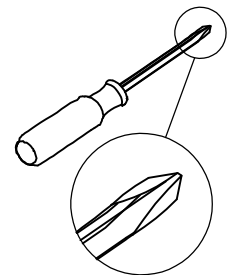
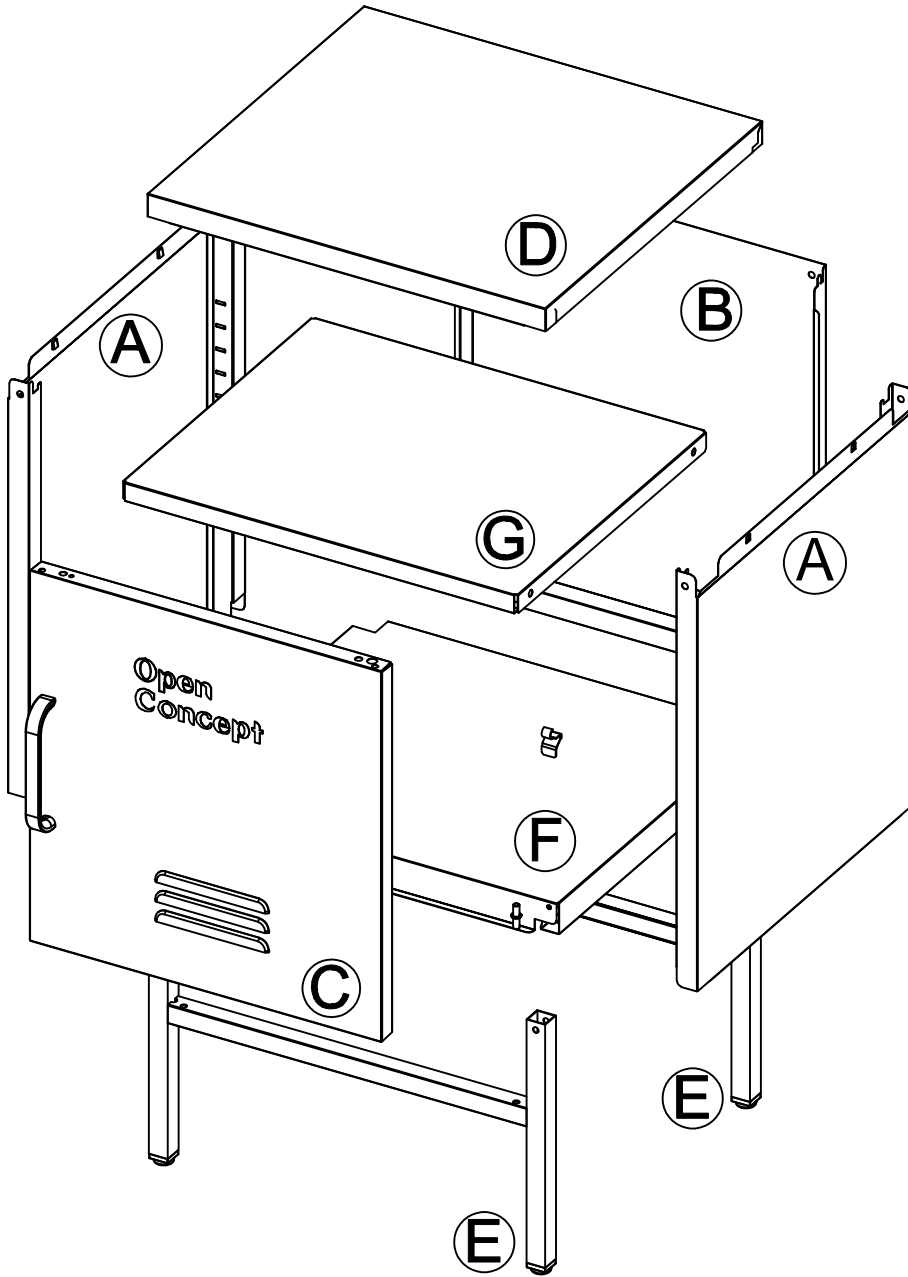


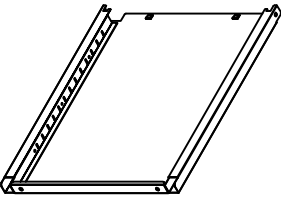
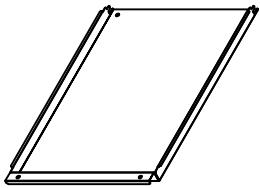
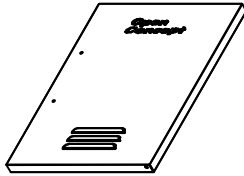
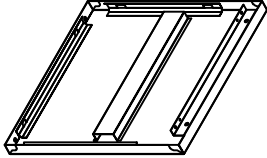
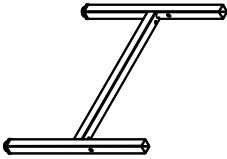
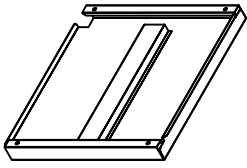
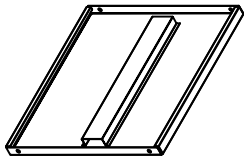
open concept

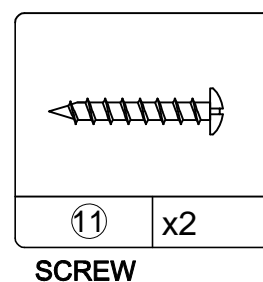
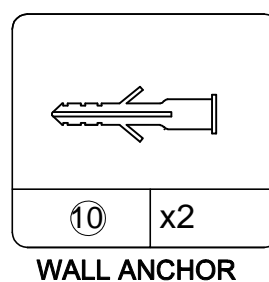
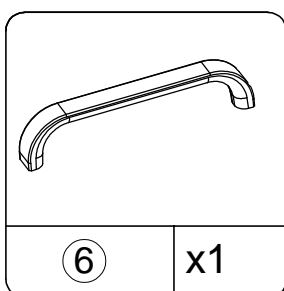
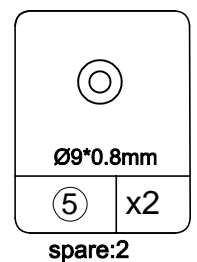
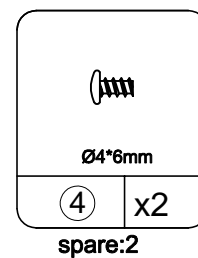
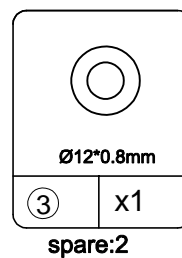
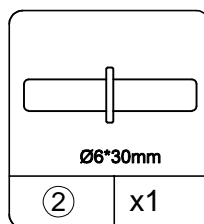
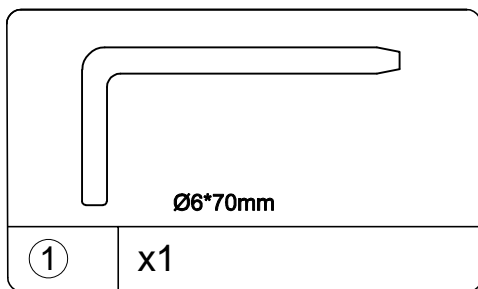


Important:
Please read through instructions carefully
Before assembly and keep for future reference.



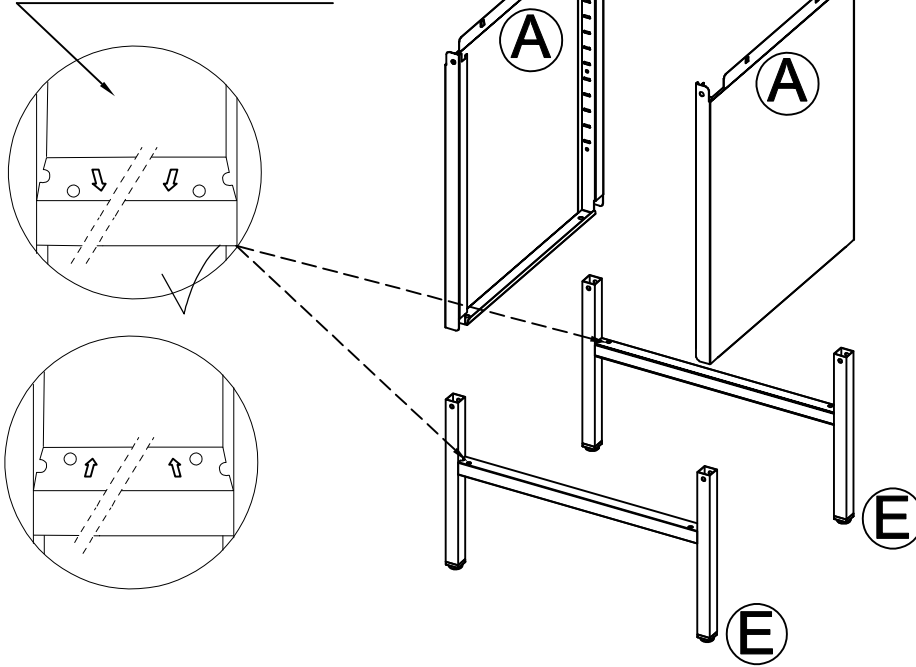
Hardware	Ctn No.	1
----------	---------	---

<p>A x 2</p>  <p>439x400x23mm</p>	<p>B x 1</p>  <p>418x378x23mm</p>	<p>C x 1</p>  <p>391x376x20mm</p>	<p>D x 1</p>  <p>426x402x25mm</p>
<p>E x 2</p>  <p>423x320x20mm</p>	<p>F x 1</p>  <p>422x375x35mm</p>	<p>G x 1</p>  <p>422x352x20mm</p>	

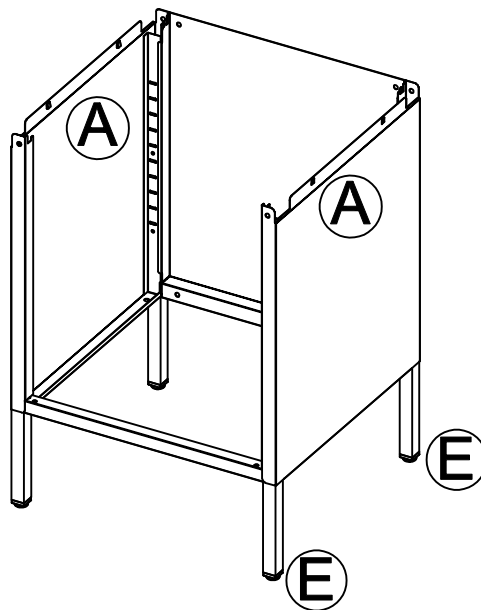


(1) - Attach (A) to (E) as below shown.

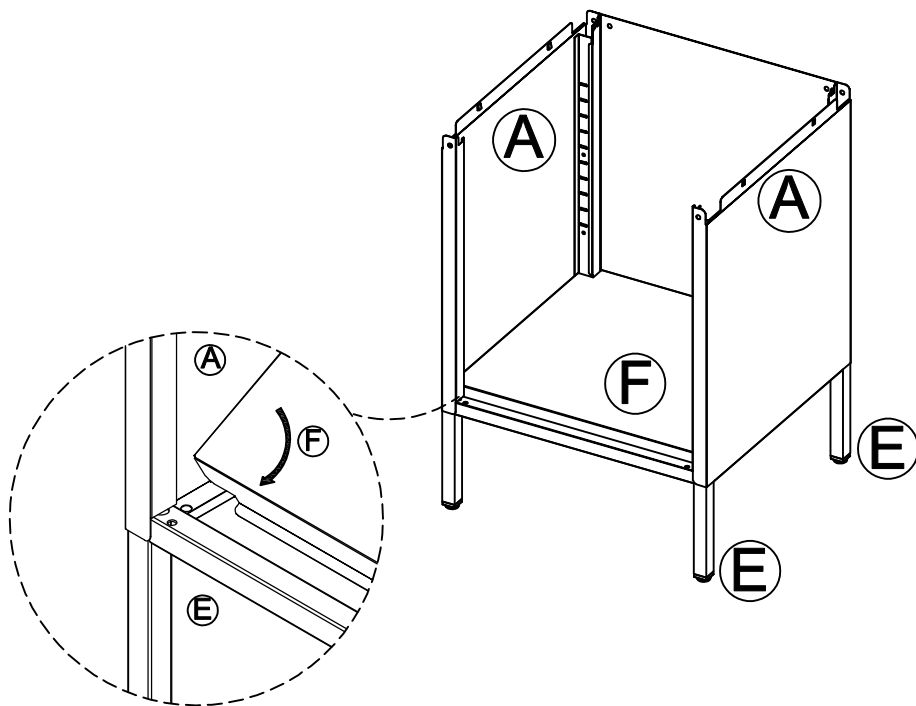
Make sure the holes are nearest to outside otherwise will affect door assembling.



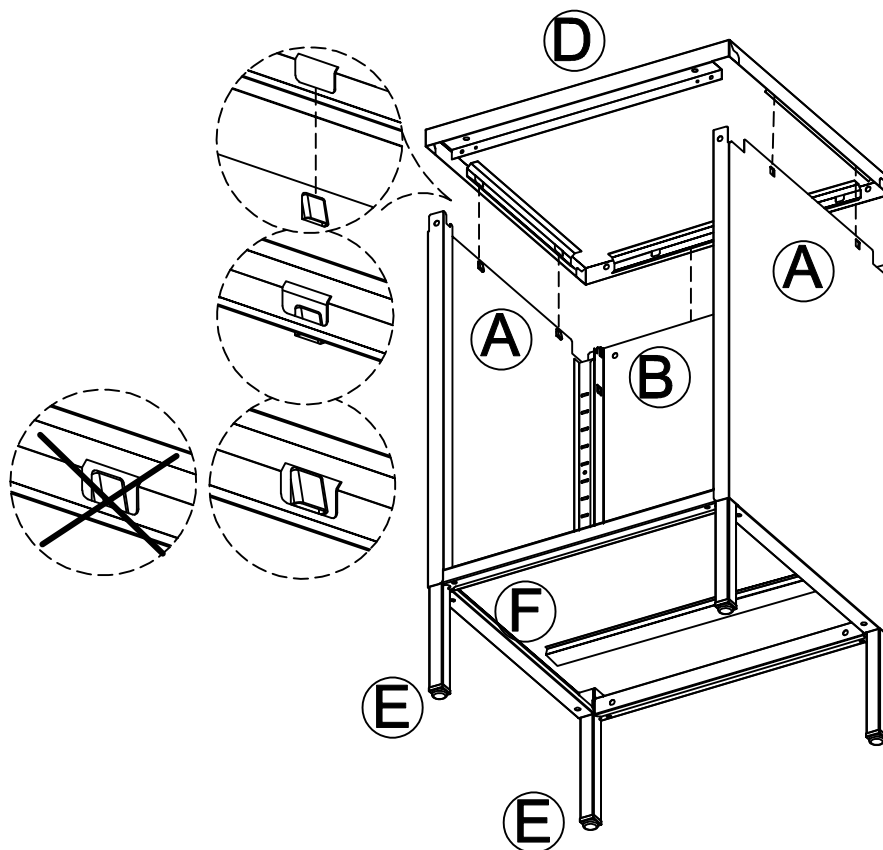
(2) - Attach (B1) & (B2) to (A) & (E) as below shown.



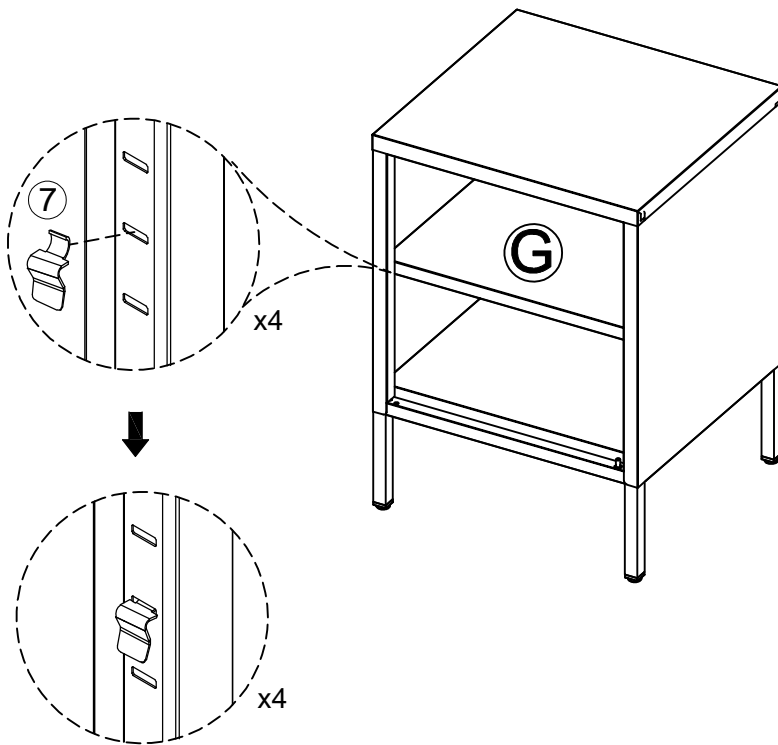
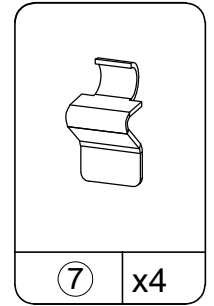
(3) - Attach (F) to (A) & (B) & (E) as below shown.



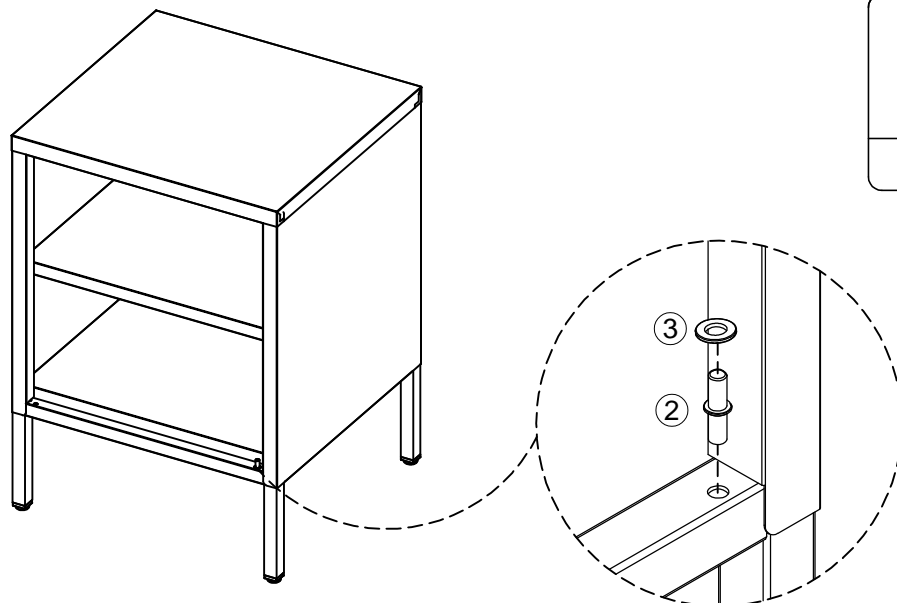
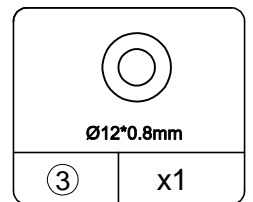
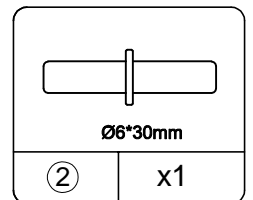
(4) - Attach (D) to (A) & (B) as below shown.



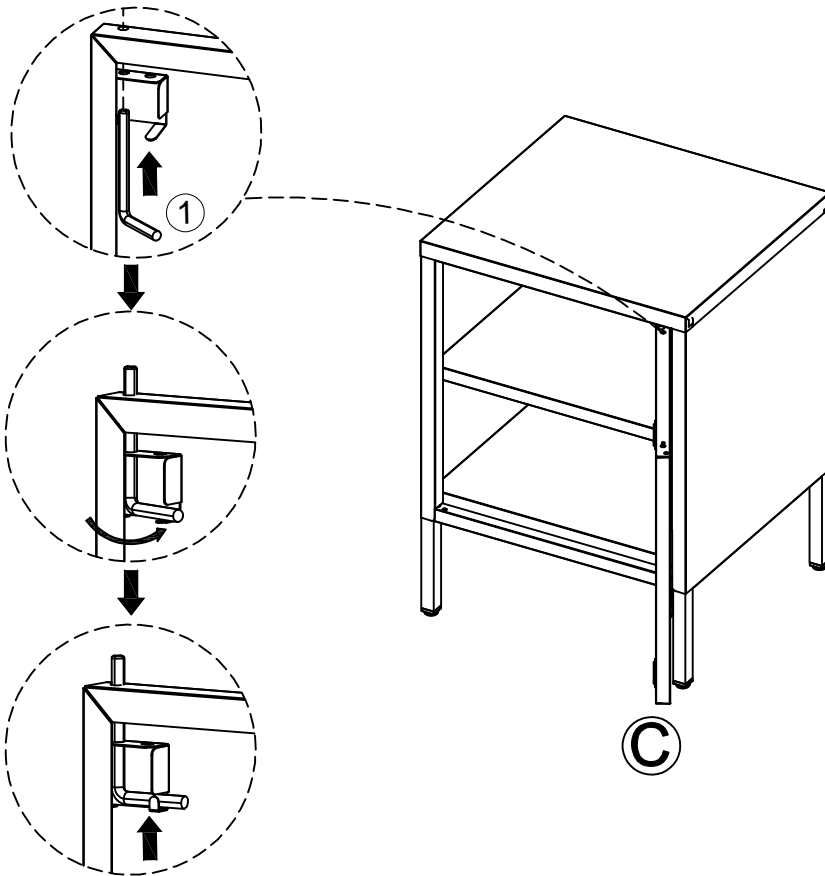
(5) - Attach (G) to pre-assembled unit as below shown.



(6) - Attach (2) & (3) to pre-assembled unit as below shown.

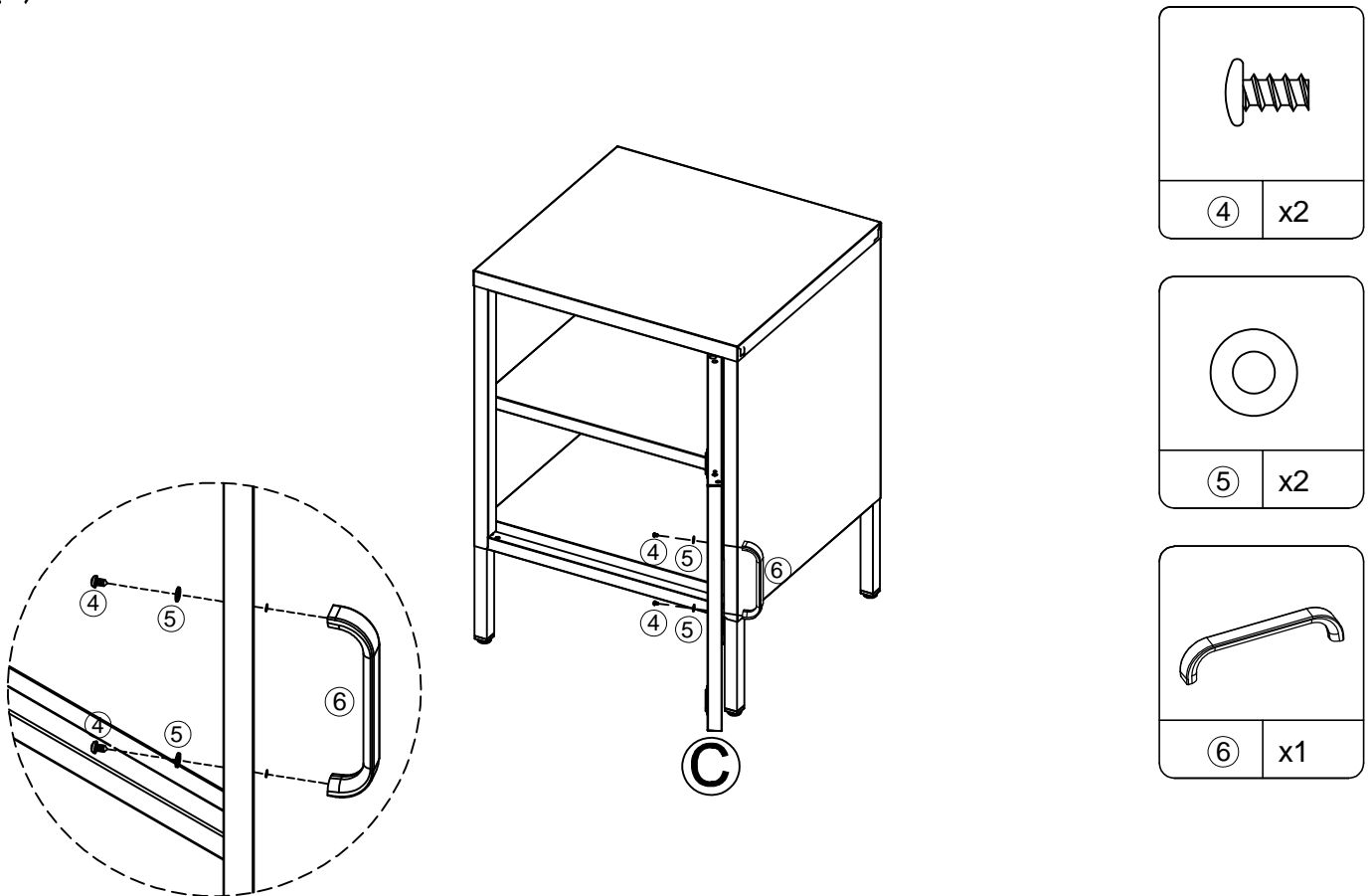


(7) - Attach (C1) & (C2) to pre-assembled unit as below shown.

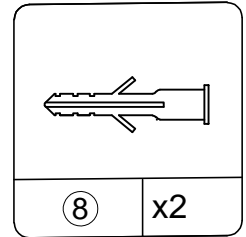
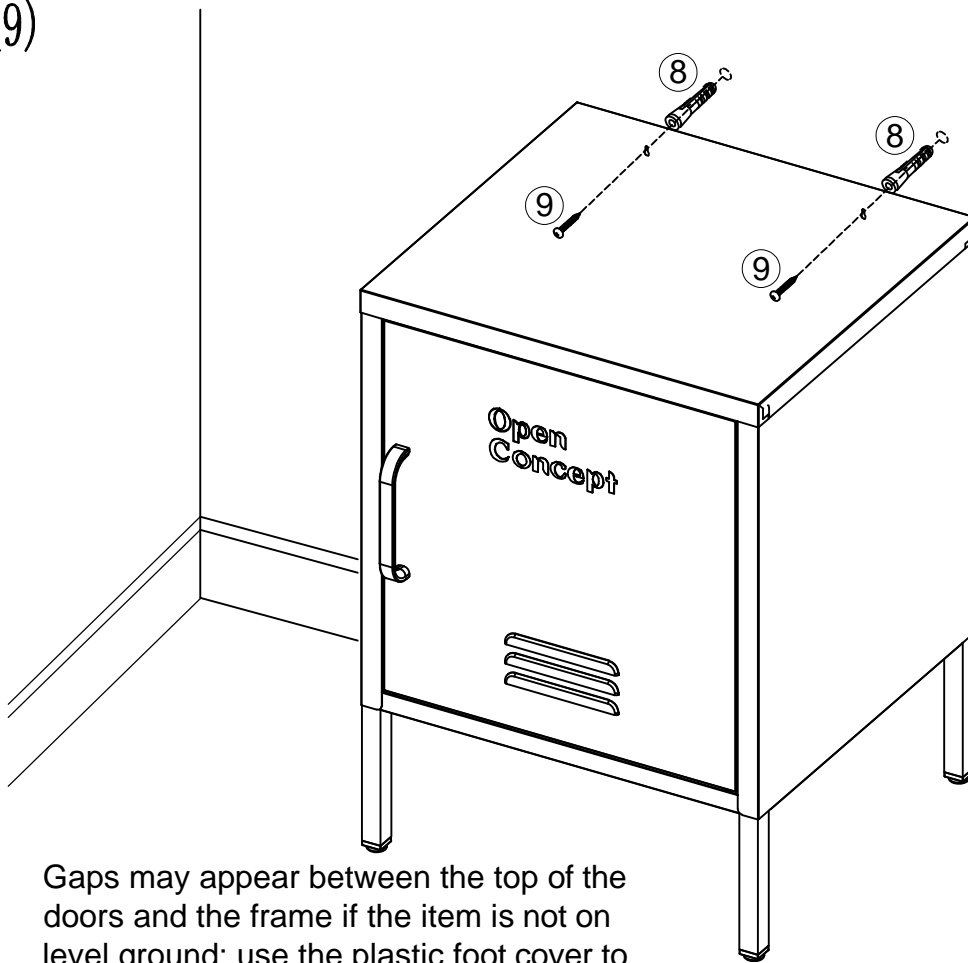


Push and bend the tab.

(8) - Attach (6) to (C1) & (C2) as below shown.

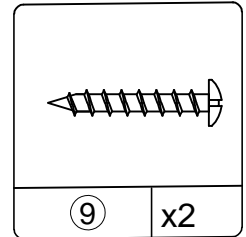


(9)



8

x2



9

x2

Gaps may appear between the top of the doors and the frame if the item is not on level ground; use the plastic foot cover to level.

Open Concept

Great Job! You're done it

Don't forget to share how it looks in
your space and tag us on Instagram

[@spacegeneralnz](https://www.instagram.com/spacegeneralnz)