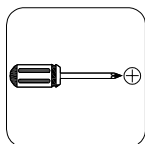
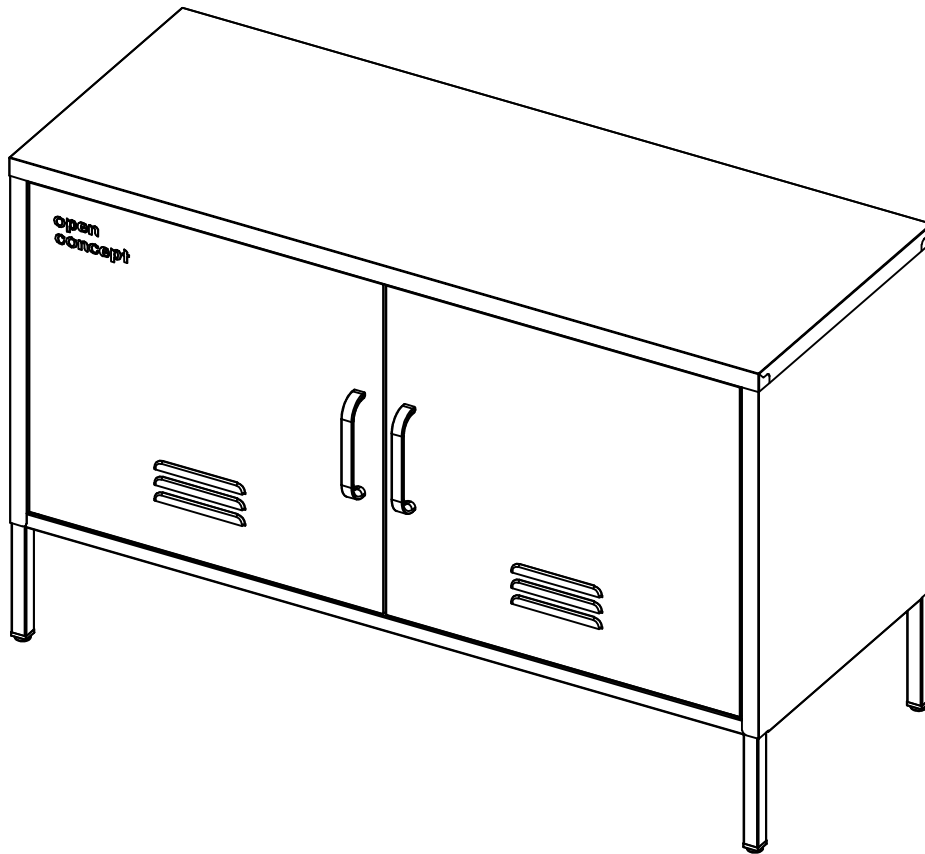
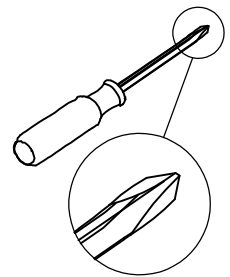
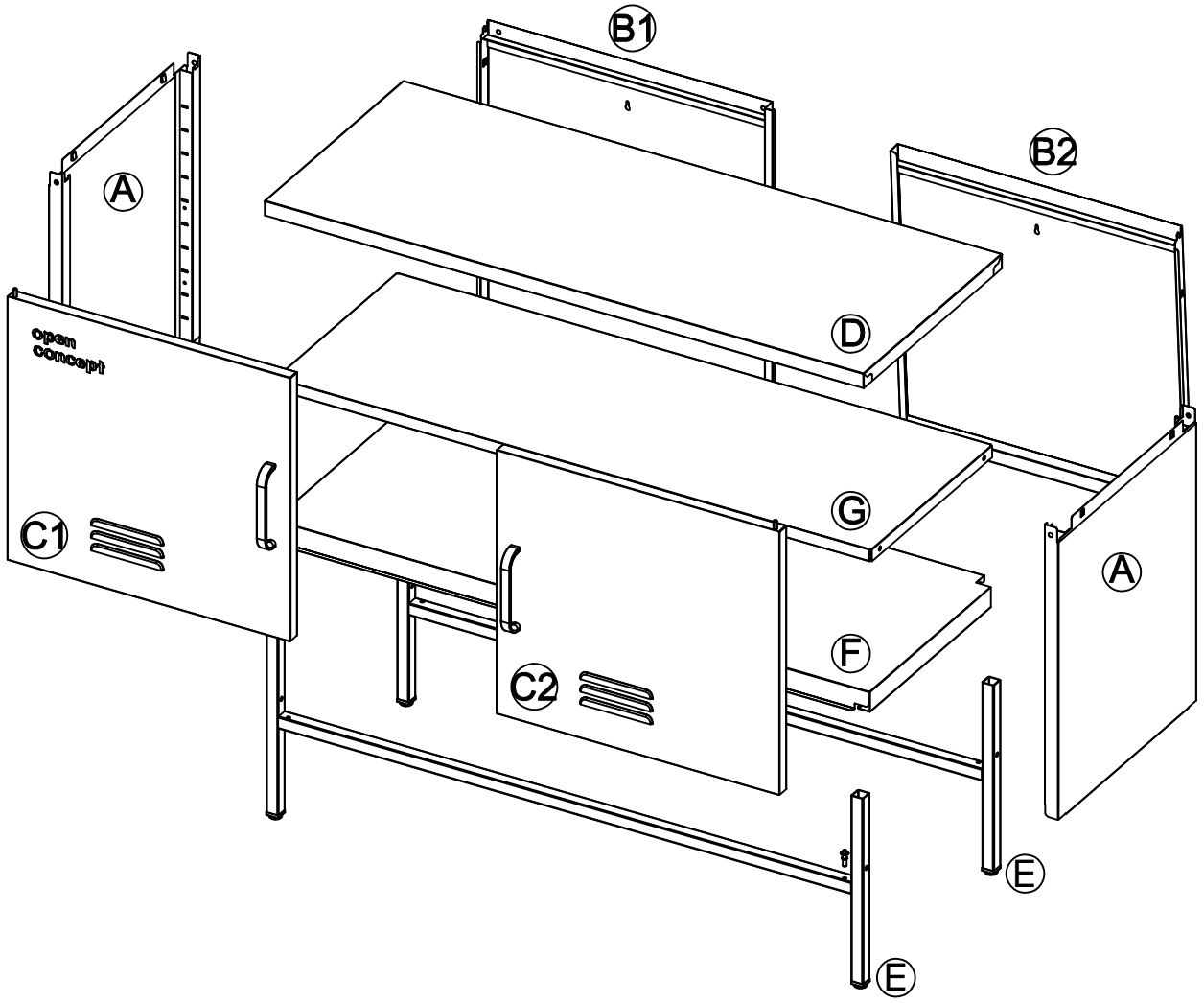


open concept

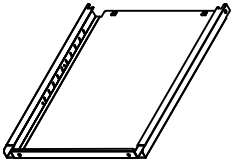
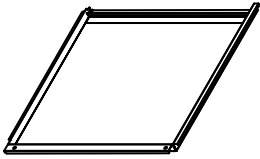
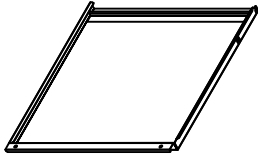
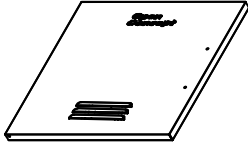
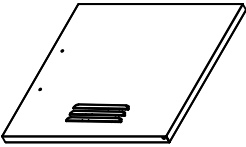
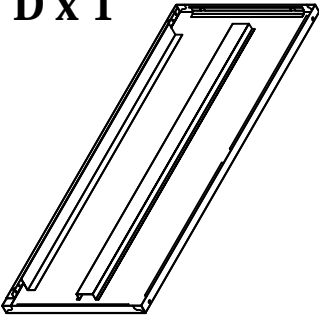
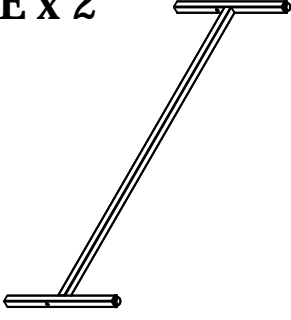
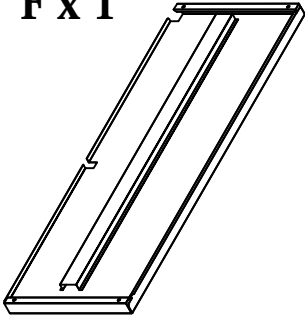
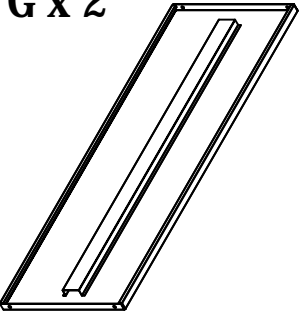


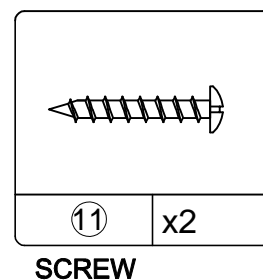
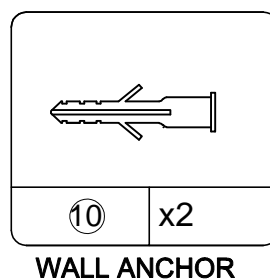
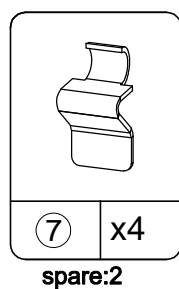
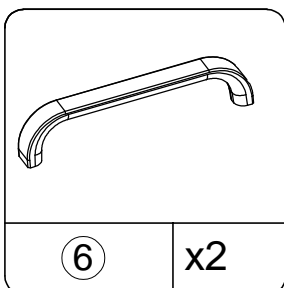
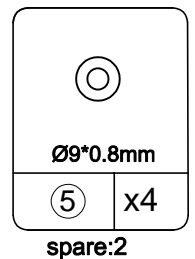
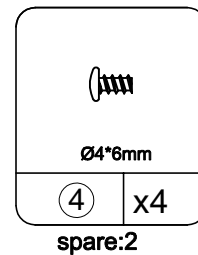
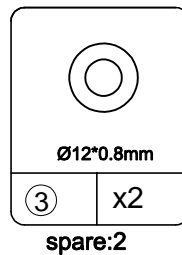
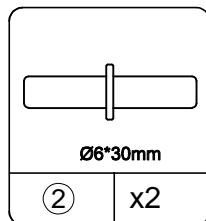
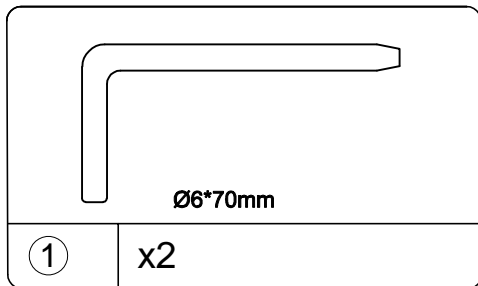
Important:

Please read through instructions carefully
Before assembly and keep for future reference.



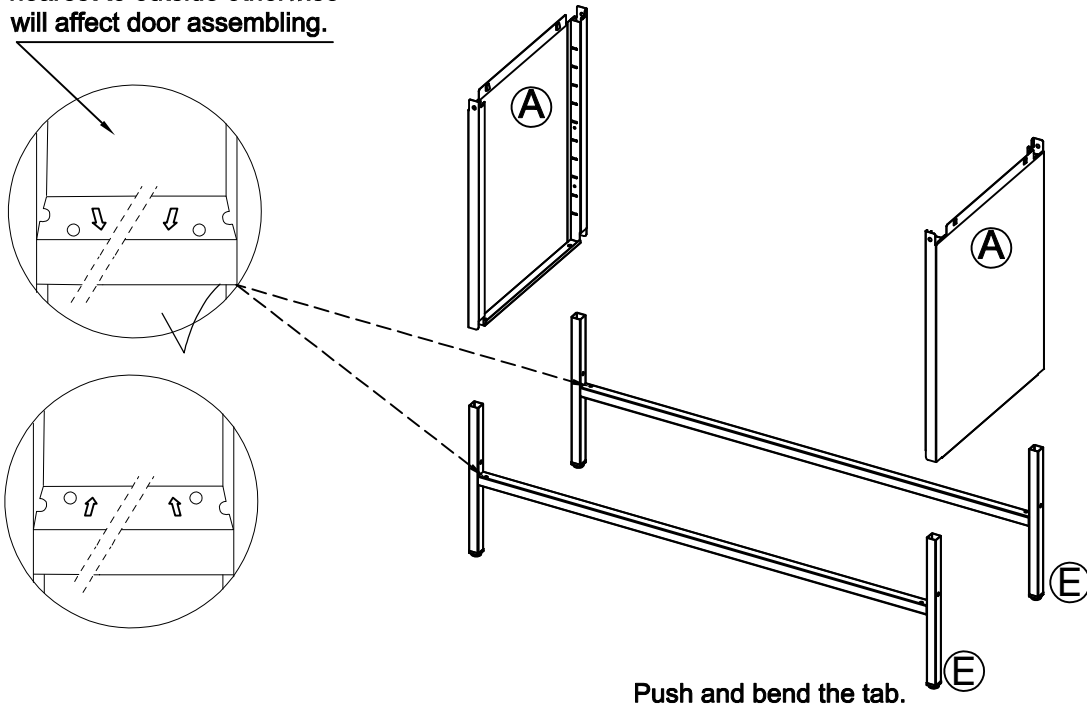
Hardware	Ctn No.	1
----------	---------	---

<p>A x 2</p>  <p>489x400x23mm</p>	<p>B1 x 1</p>  <p>468x477x23mm</p>	<p>B2 x 1</p>  <p>468x477x23mm</p>	<p>C1 x 1</p>  <p>441x475x20mm</p>
<p>C2 x 1</p>  <p>441x442x20mm</p>	<p>D x 1</p>  <p>1001x402x25mm</p>	<p>E x 2</p>  <p>998x320x20mm</p>	<p>F x 1</p>  <p>997x375x35mm</p>
<p>G x 2</p>  <p>997x352x20mm</p>			

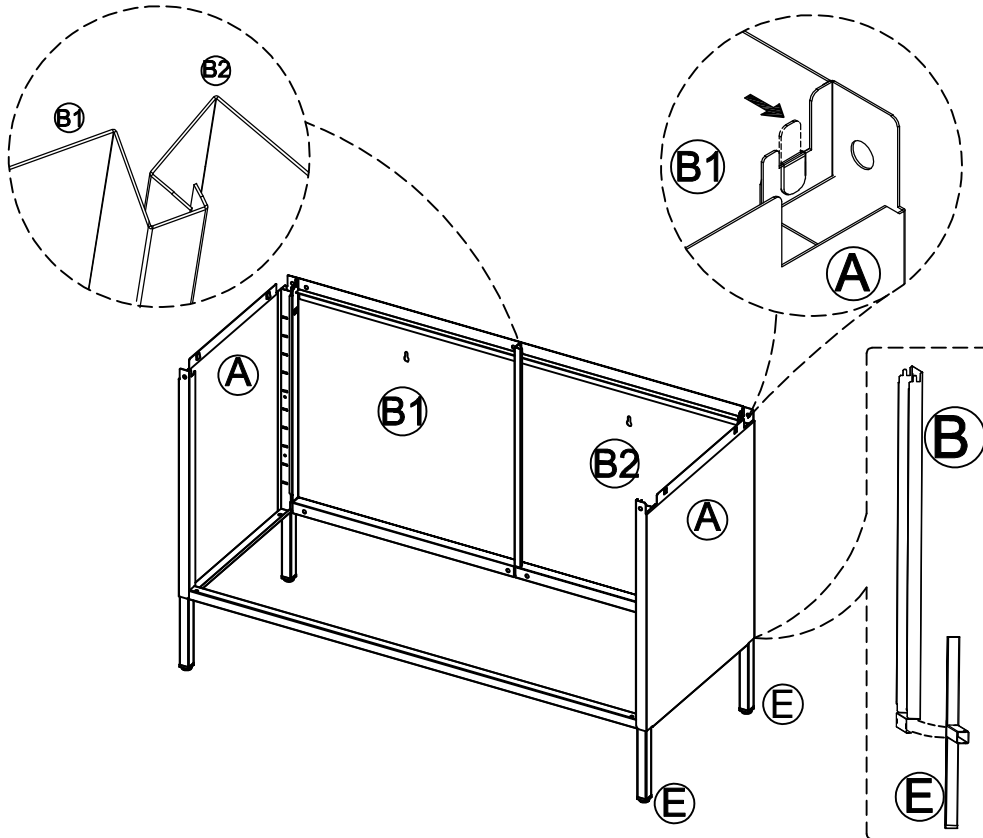


(1) - Attach (A) to (E) as below shown.

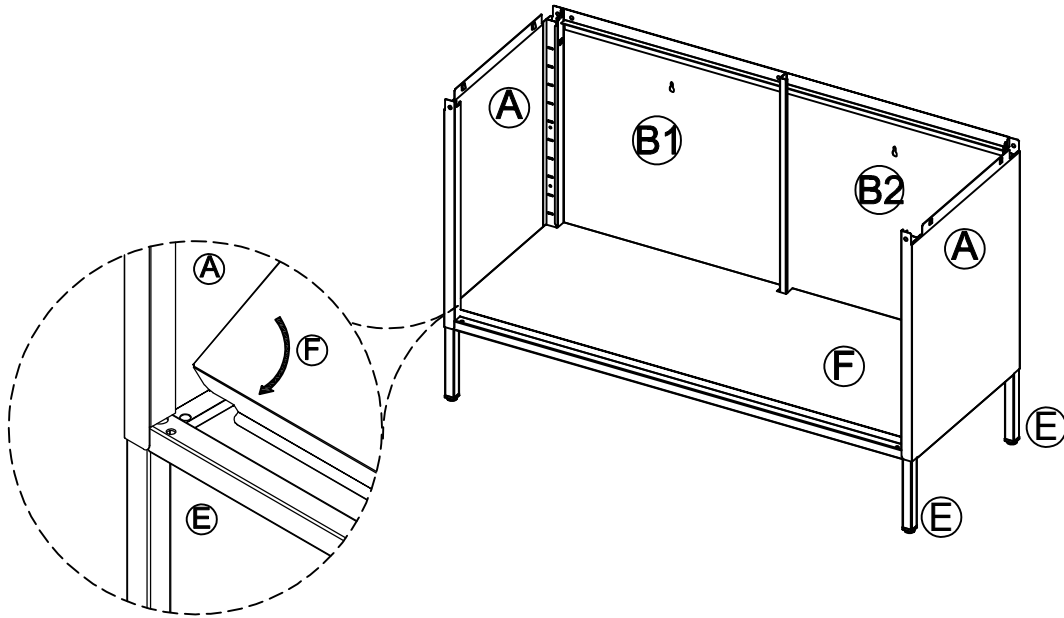
Make sure the holes are nearest to outside otherwise will affect door assembling.



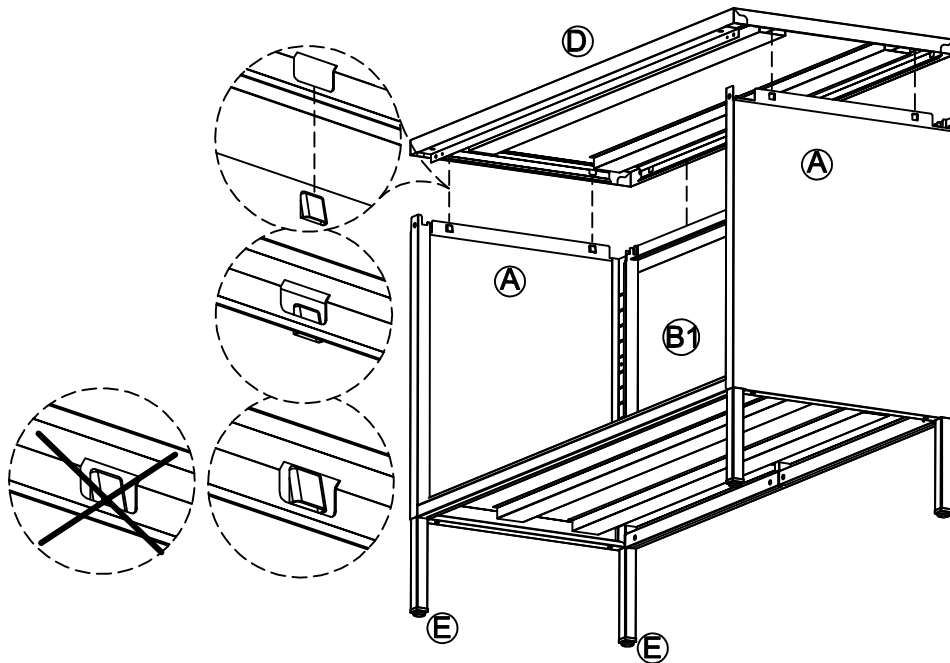
(2) - Attach (B1) & (B2) to (A) & (E) as below shown.



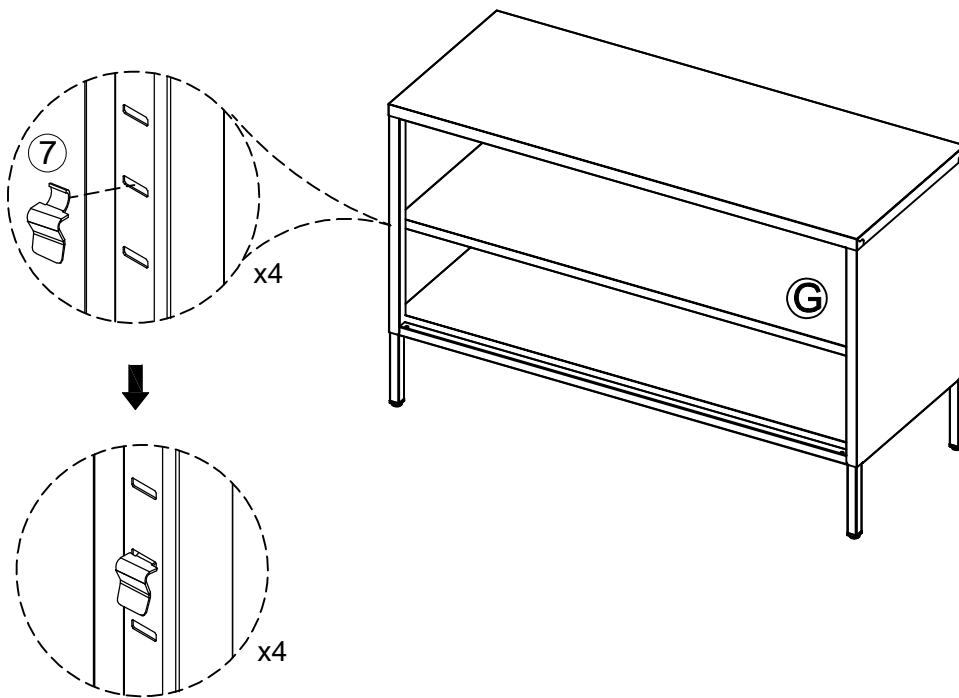
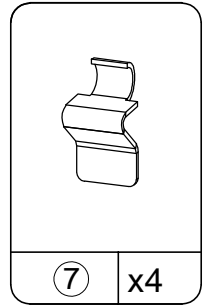
(3) - Attach (F) to (A) & (B) & (E) as below shown.



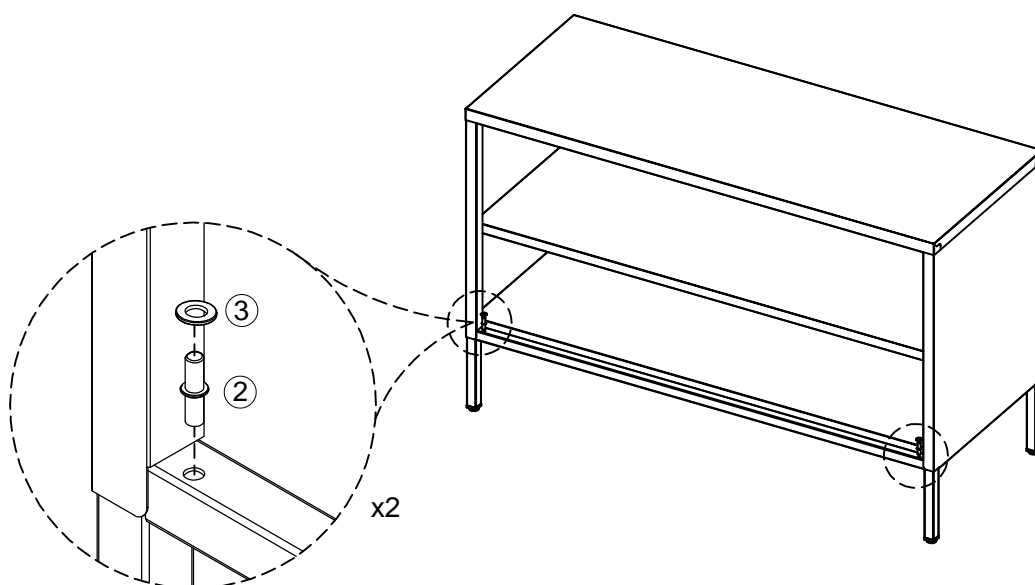
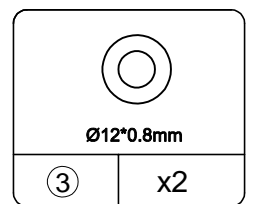
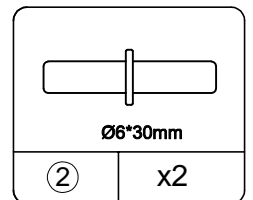
(4) - Attach (D) to (A) & (B) as below shown.



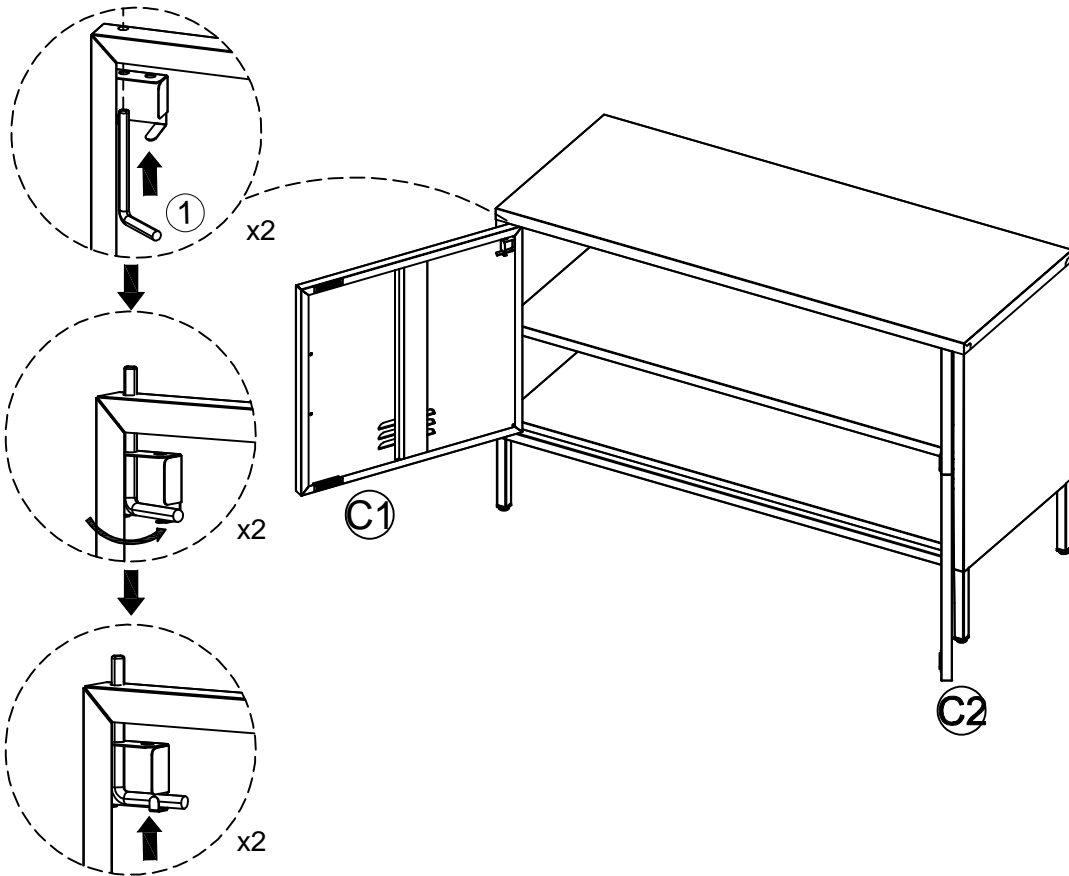
(5) - Attach (G) to pre-assembled unit as below shown.



(6) - Attach (2) & (3) to pre-assembled unit as below shown.

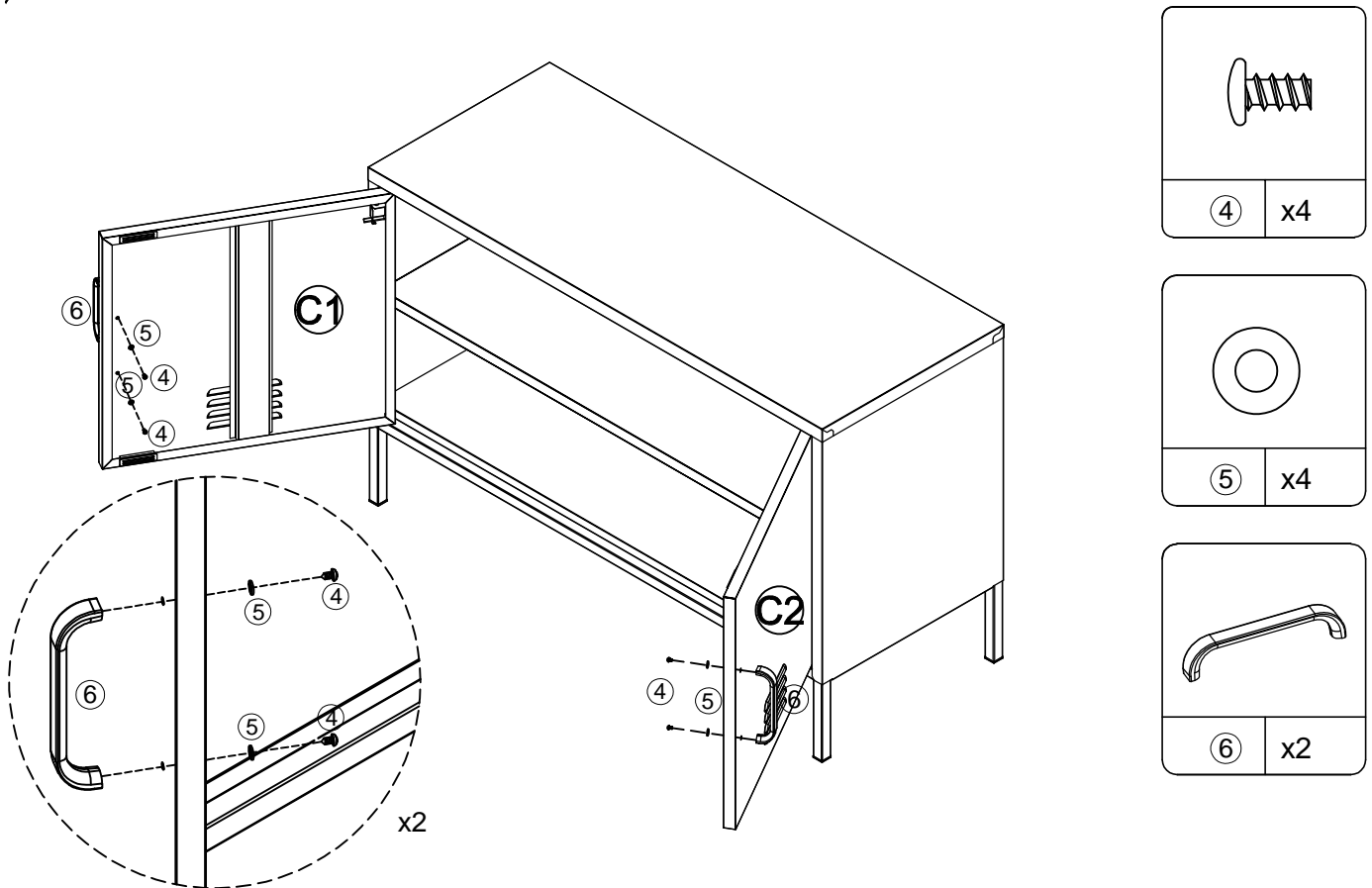


(7) - Attach (C1) & (C2) to pre-assembled unit as below shown.

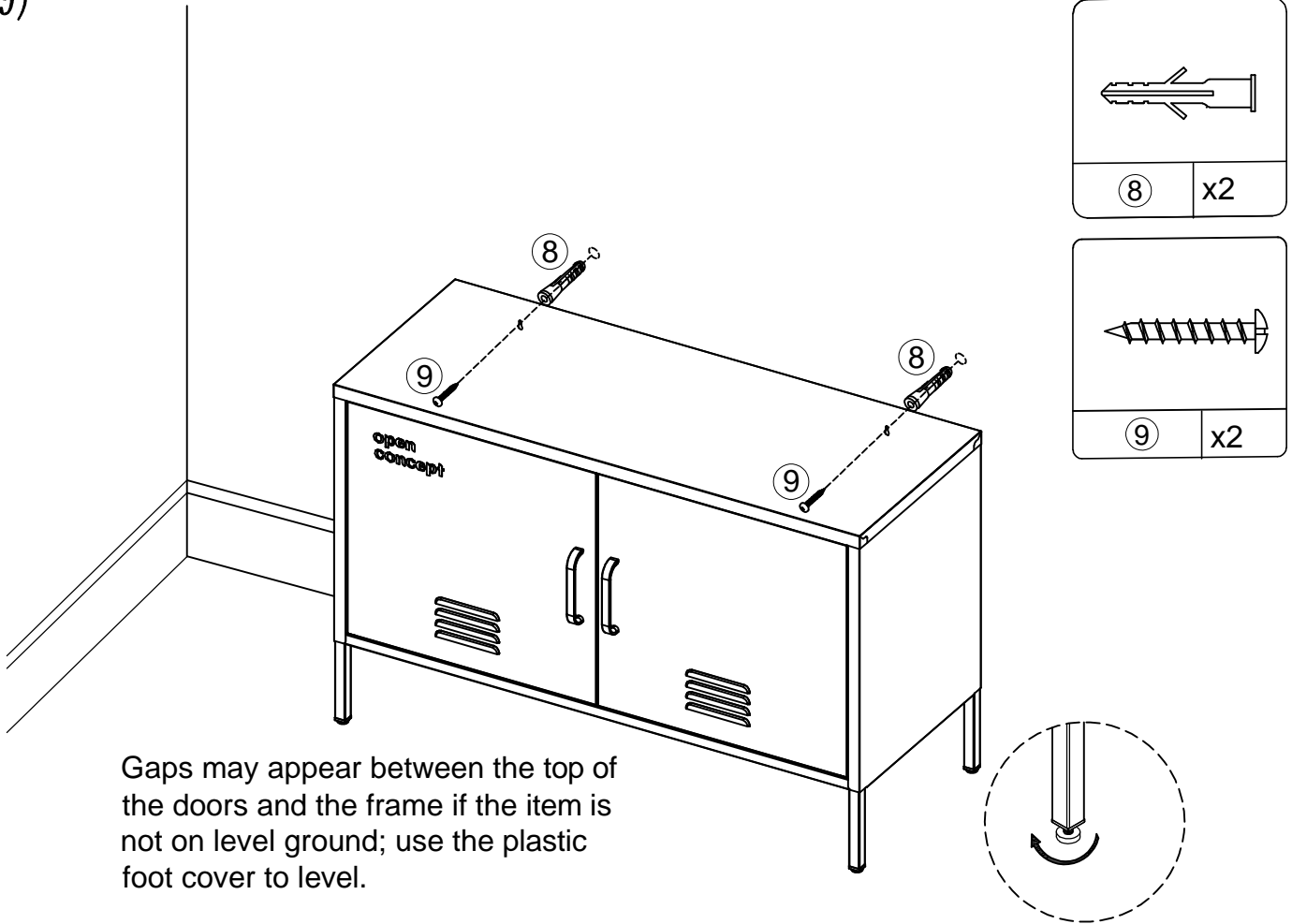


Push and bend the tab.

(8) - Attach (6) to (C1) & (C2) as below shown.



(9)



Open Concept

Great Job! You're done it

Don't forget to share how it looks in
your space and tag us on Instagram

@spacegeneralnz