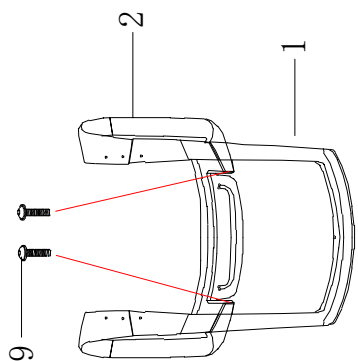
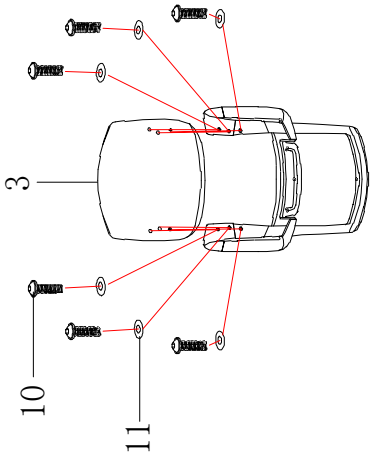


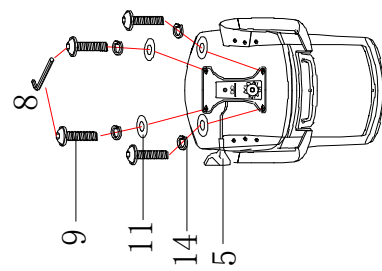
STEP 1



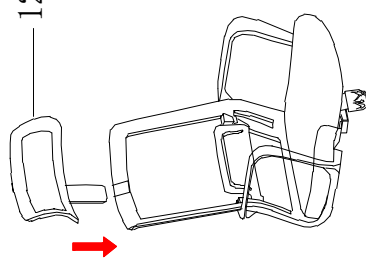
STEP 2



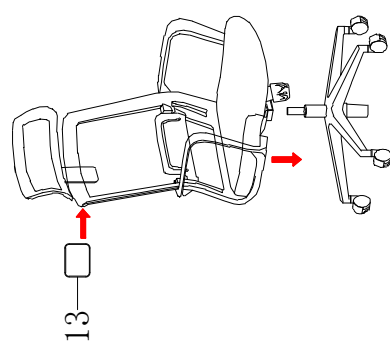
STEP 3



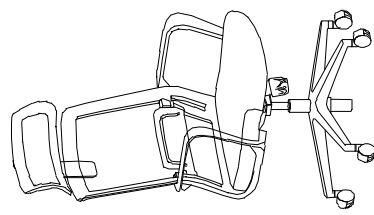
STEP 4



STEP 5



STEP 6



STEP 7

CH-180A-LP		NO.	1	2	3	4	5	6	7	8	9	10	11	12	13	14
		SKETCH														
		SIZE		LEFT&RIGHT							M6*20mm	M6*35mm	M6			M6
		QTY	1PCS	2PCS	1PCS	1PCS	1PCS	1PCS	5PCS	1PCS	6PCS	6PCS	10PCS	1PCS	1PCS	4PCS