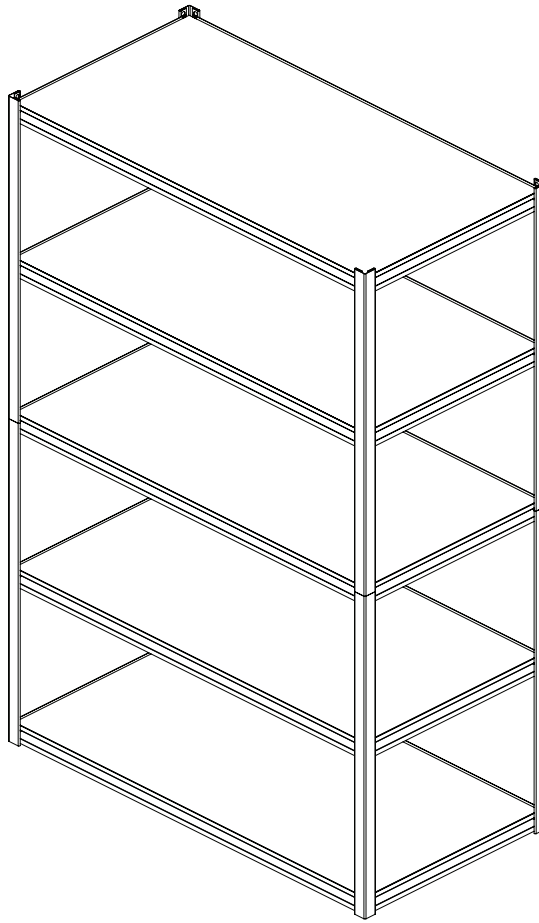


# Space General

[www.spacegeneral.co.nz](http://www.spacegeneral.co.nz)

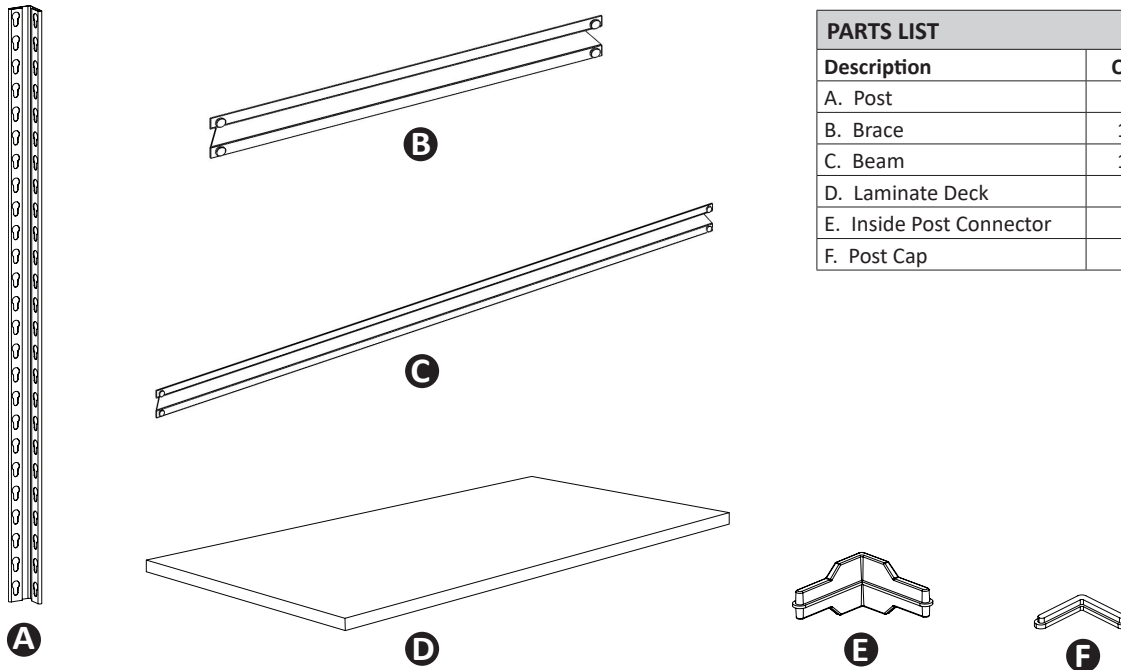


## **Assembly Instructions**

**Thank you for your purchase.**

Please follow the instructions below for correct assembly.

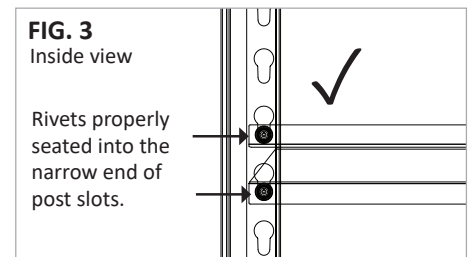
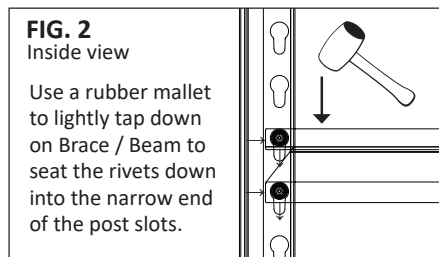
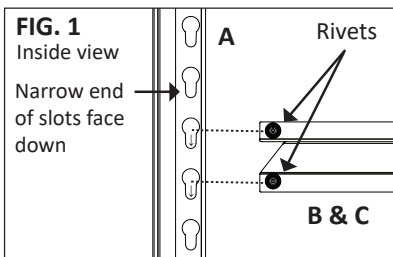
# Parts List



PARTS LIST		
Description	Qty	
A. Post	8	
B. Brace	10	
C. Beam	10	
D. Laminate Deck	5	
E. Inside Post Connector	4	
F. Post Cap	8	

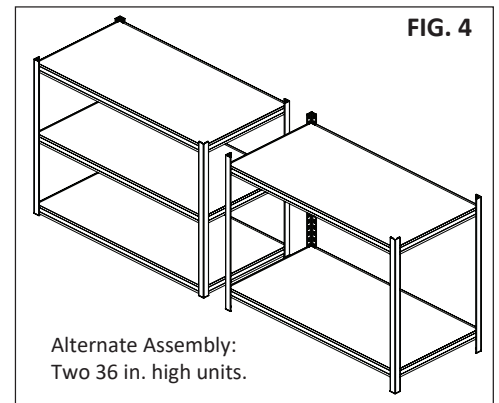
## Preparation

Assembly of this unit is done by fitting the two rivets of the braces (B) and beams (C) into the keyhole slots of the post (A). The narrow end of the keyhole slots from the post must face down (see FIG.1). Braces and beams must be installed with the ledge facing up on the inside. Assemble the unit from bottom to top. It is recommended that the bottom shelf assembly be installed into the second keyhole slots at the bottom of the posts. The middle shelves should be evenly spaced. A rubber mallet should be used to tap down on the top of the braces and beams to properly seat the rivets down into the narrow end of the keyhole slots (see FIG. 2 and FIG. 3).

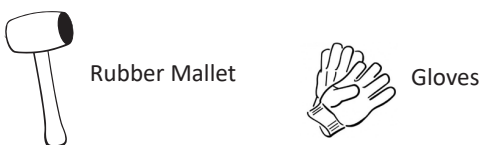


### ALTERNATE ASSEMBLY

This unit can also be assembled as two separate 36 in. high units (see FIG. 4). One unit will have three shelves and the other will have two shelves. If choosing this option, follow assembly steps 2, 3, 4, and 9 until all shelf levels are completed for both units. Note: Use all 8 of Post Caps (F) in final step 9. Post Connectors (E) are not used for this setup.

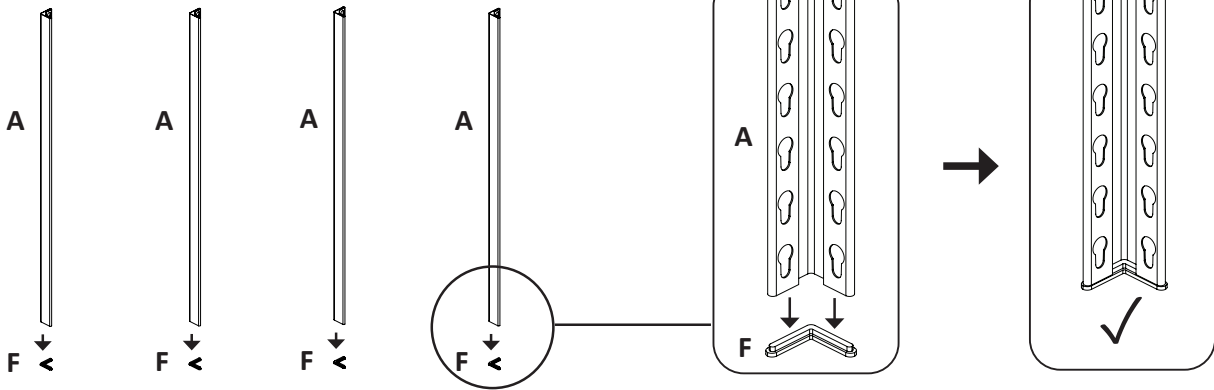


### HELPFUL TOOLS/ITEMS FOR ASSEMBLY (NOT INCLUDED):

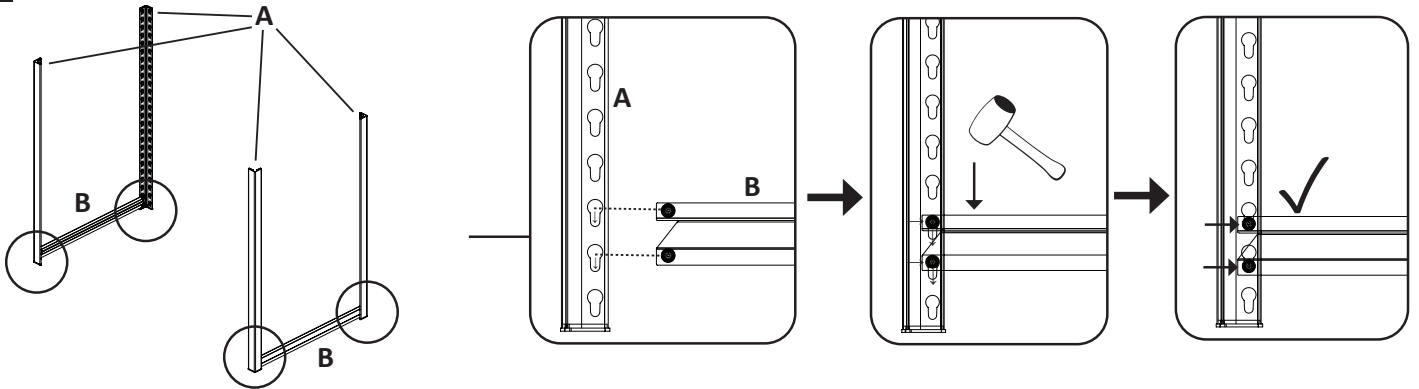


# Assembly

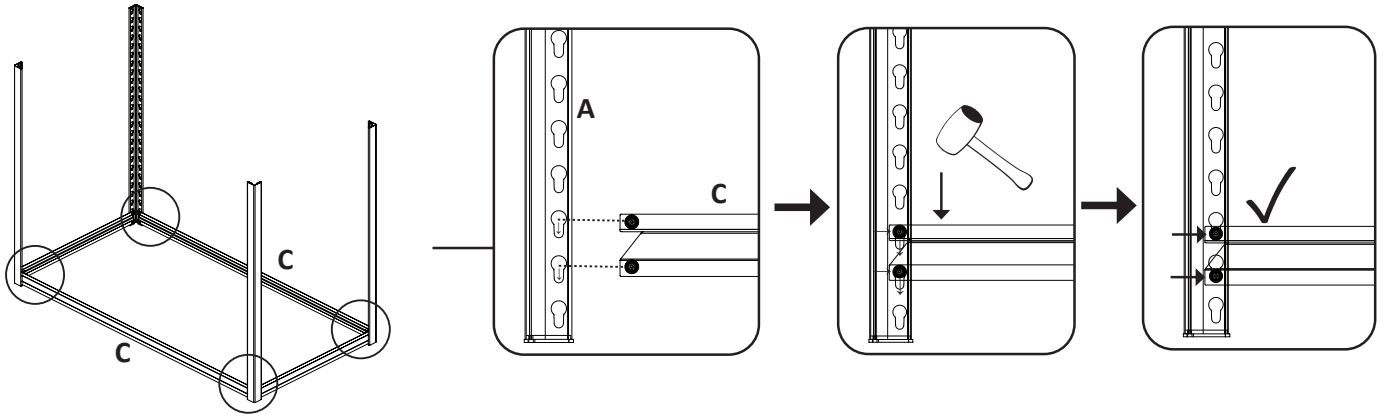
## 1 Assemble A (x4) & F (x4)



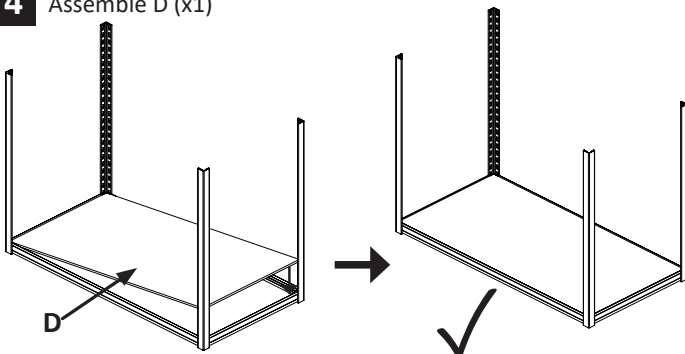
## 2 Assemble B (x2)



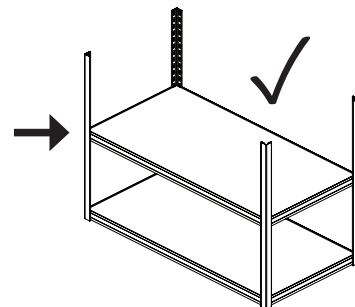
## 3 Assemble C (x2)



## 4 Assemble D (x1)

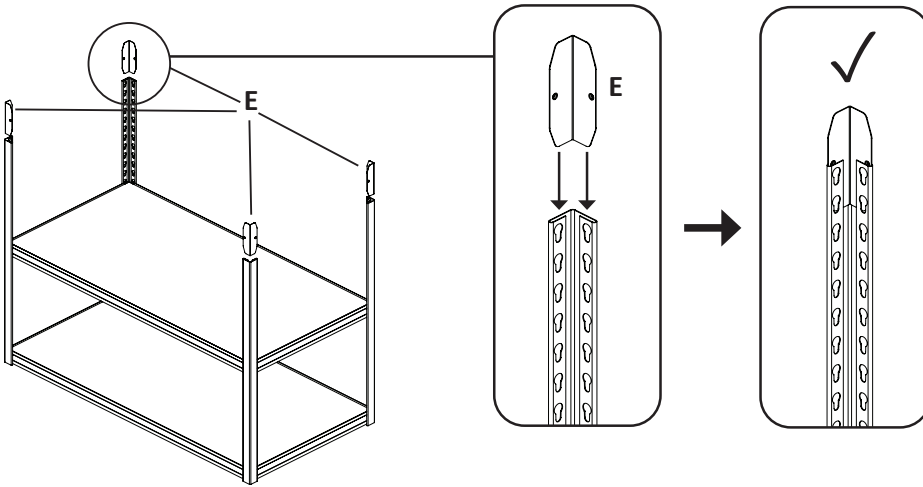


## 5 Assemble next shelf level using B (x2), C (x2) and D (x1) by repeating same steps as 2, 3 and 4 at the desired location

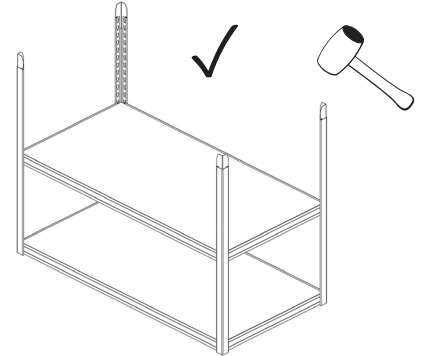


# Assembly

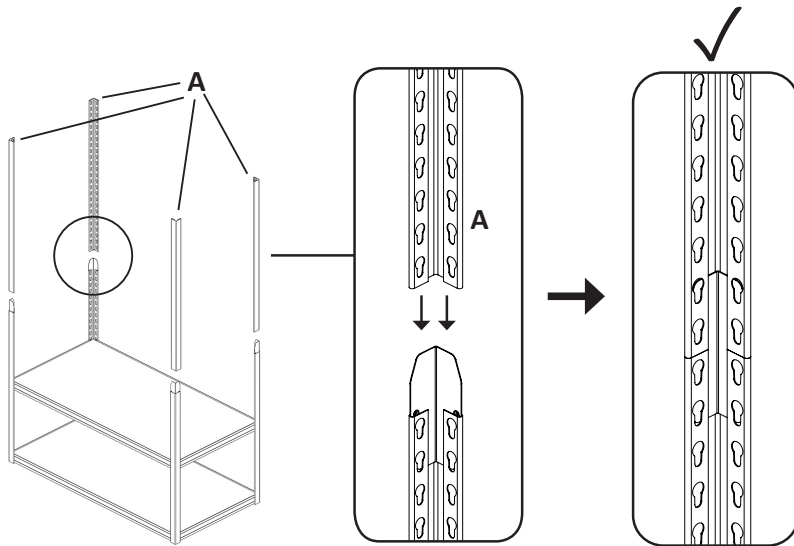
## 6 Assemble E (x4) to the assembled four posts



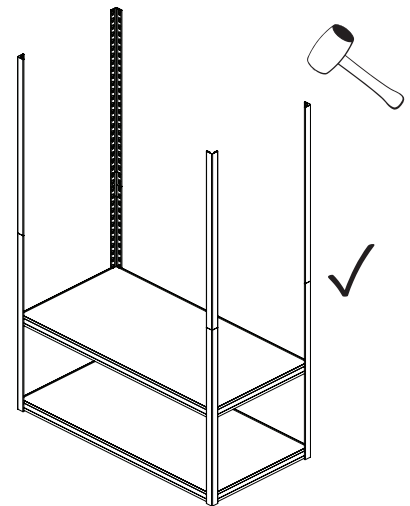
Note: A rubber mallet may be used to help secure the post connectors halfway onto the post by **lightly** tapping down on the post connectors once it is attached to the posts.



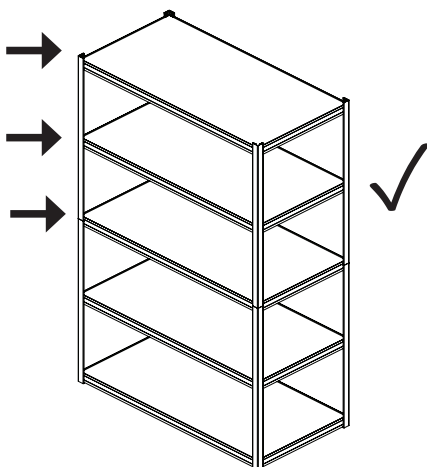
## 7 Assemble A (x4) to the four assembled post connectors



Note: A rubber mallet may be used to help secure the top posts into the post connectors by **lightly** tapping down on the top of the post.



## 8 Assemble the final three shelf levels by repeating same steps as 2, 3 and 4 at the desired location using B (x2), C (x2) and D (x1) per level



## 9 Assemble F (x4) to the top of the assembled four posts



# **Awesome!** **You did it!**

We'd love to see how it looks in your space—share your setup and tag us on

**Instagram @spacegeneralnz**

Visit us at [www.spacegeneral.co.nz](http://www.spacegeneral.co.nz).