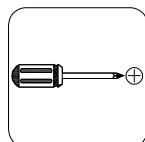
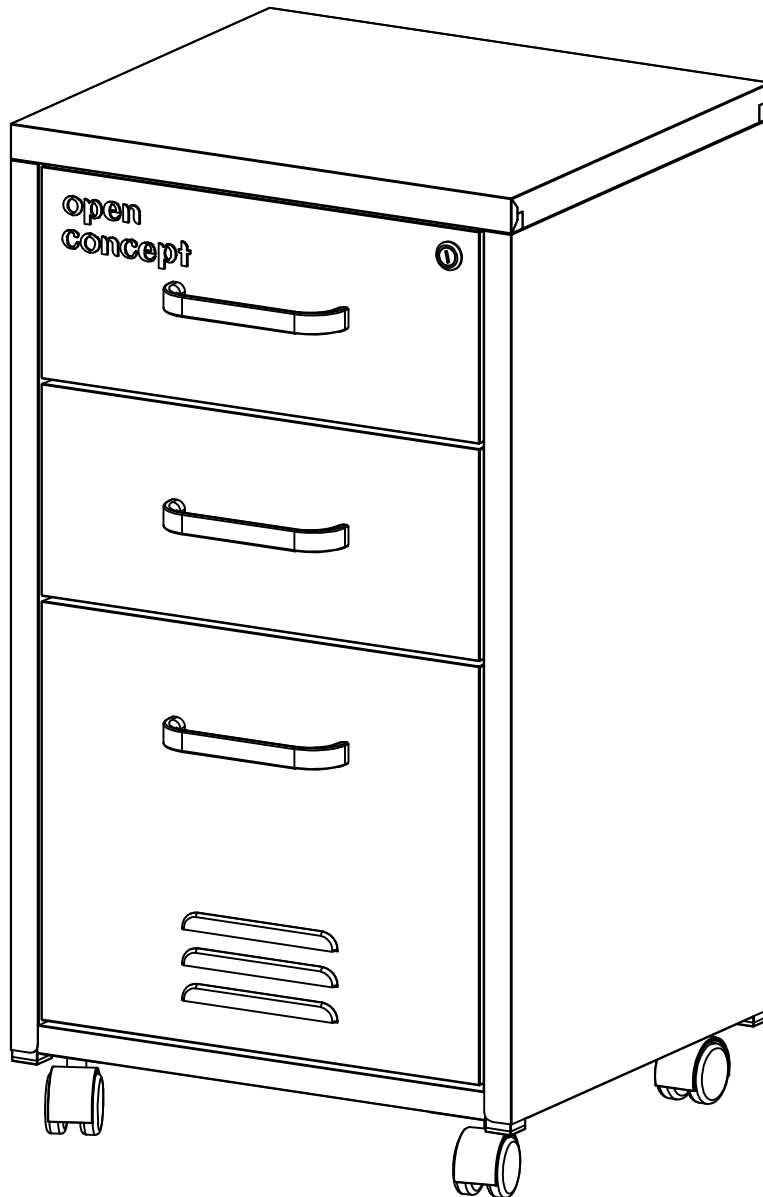
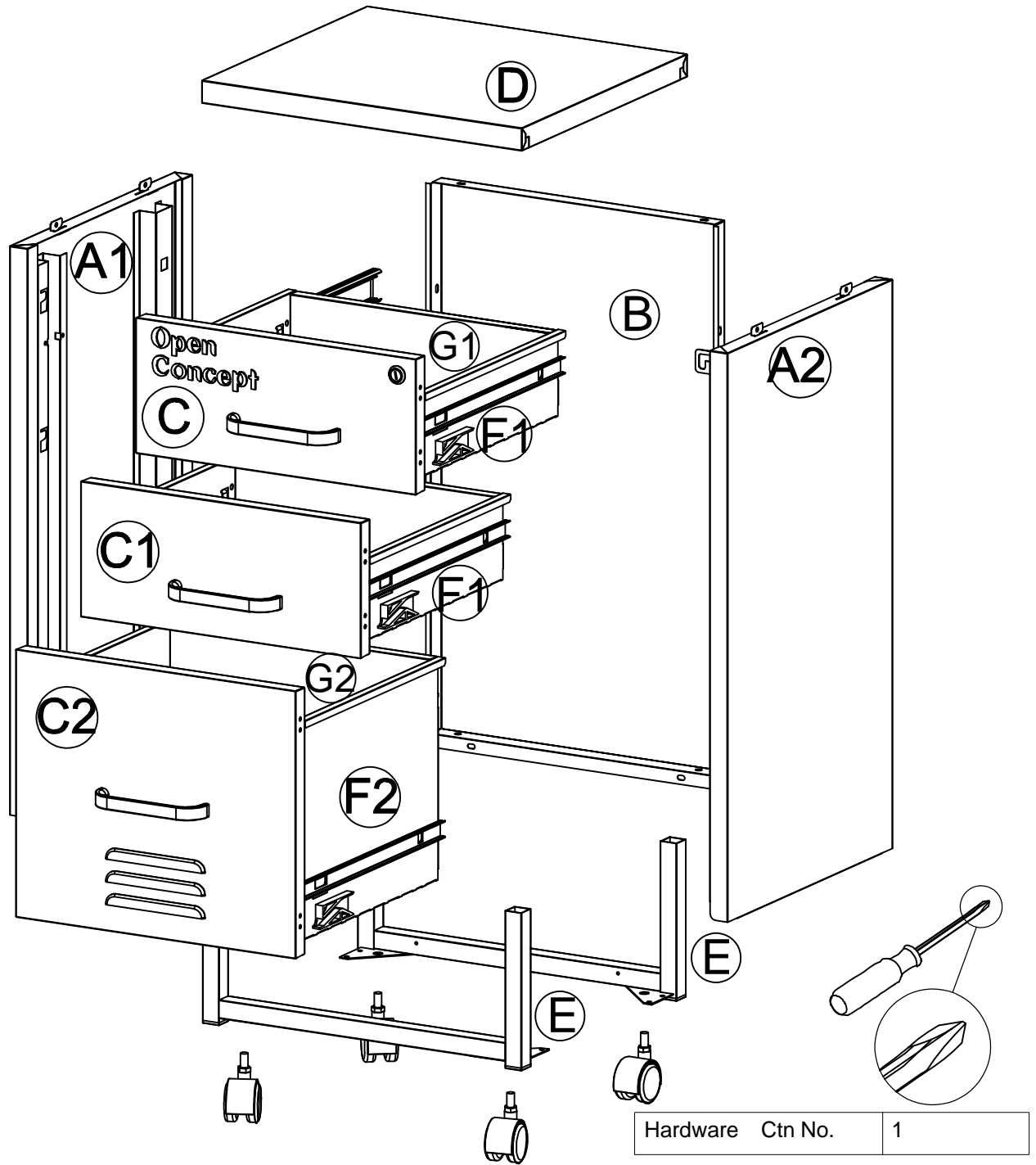
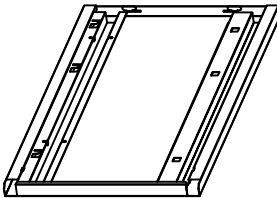
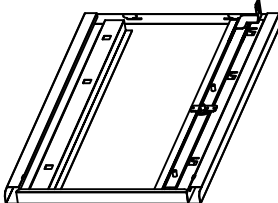
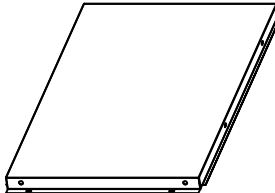
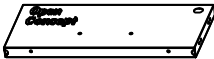


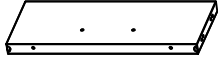
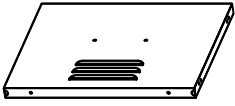
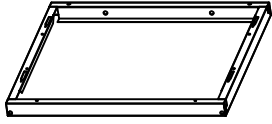
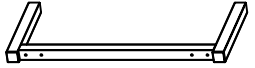
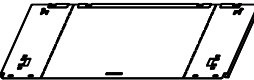

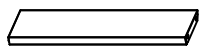
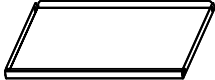
open concept


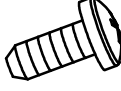
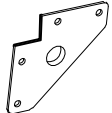



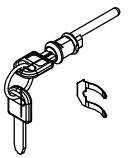
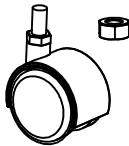
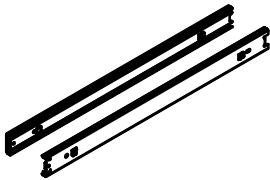


Important:
Please read through instructions carefully
Before assembly and keep for future reference.

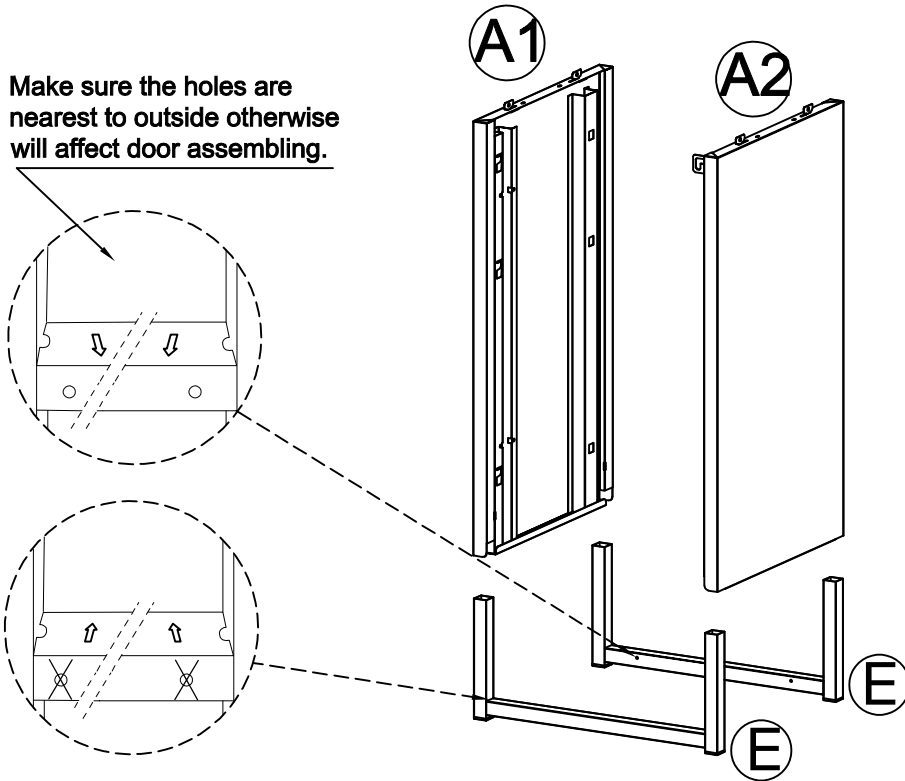


<p>A1 x 1</p>  <p>625x350x22mm</p>	<p>A2 x 1</p>  <p>625x350x22mm</p>	<p>B x 1</p>  <p>604x347x22mm</p>	<p>C x 1</p>  <p>344x150x20mm</p>
--	--	--	---

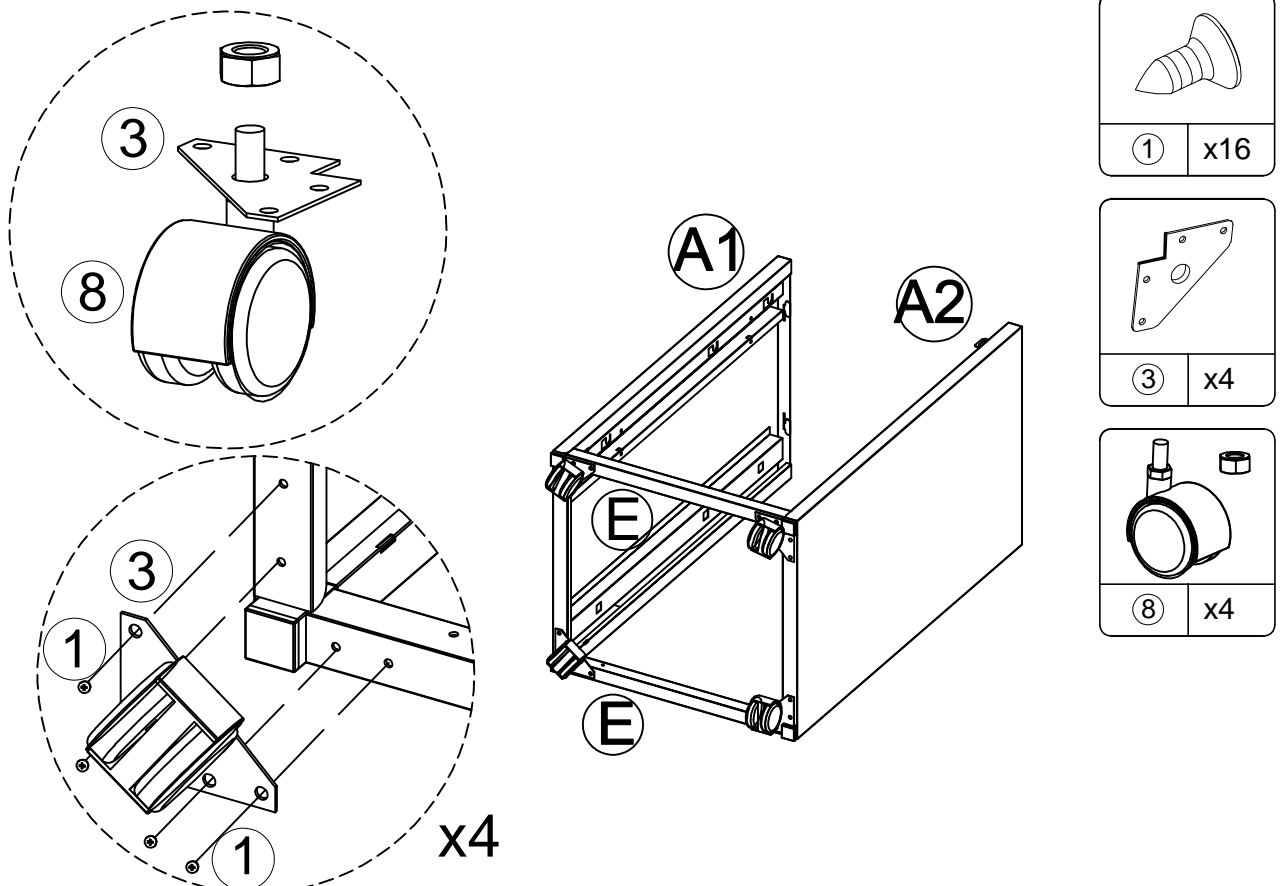
<p>C1 x 2</p>  <p>344x150x20mm</p>	<p>C2 x 1</p>  <p>344x295x23mm</p>	<p>D x 1</p>  <p>392x351x25mm</p>	<p>E x 2</p>  <p>391x170x20mm</p>
<p>F1 x 2</p>  <p>509x320x7mm</p>	<p>F2 x 1</p>  <p>808x320x7mm</p>	<p>G1 x 2</p>  <p>320x94x15mm</p>	<p>G2 x 1</p>  <p>320x244x15mm</p>

 <p>Ø5*12mm</p> <p>① x28</p> <p>spare:2</p>	 <p>Ø5*10mm</p> <p>② x12</p>	 <p>62*62mm</p> <p>③ x4</p>	 <p>Ø4*6mm</p> <p>④ x6</p> <p>spare:2</p>	 <p>Ø9*0.8mm</p> <p>⑤ x6</p> <p>spare:2</p>	 <p>⑥ x3</p>
 <p>⑦ x1</p>	 <p>⑧ x4</p>	 <p>⑨ x3</p>			

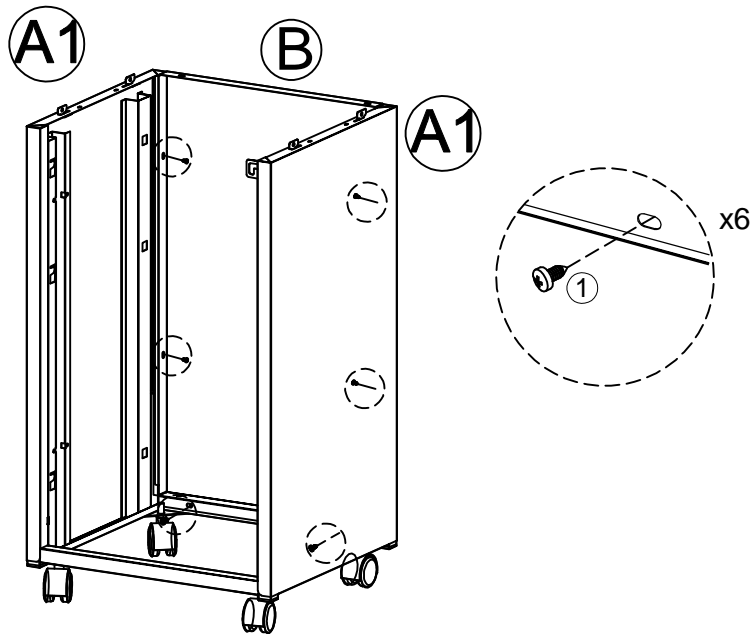
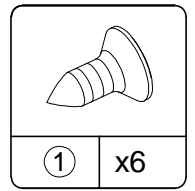
(1) - Attach (A) to (E) as below shown.



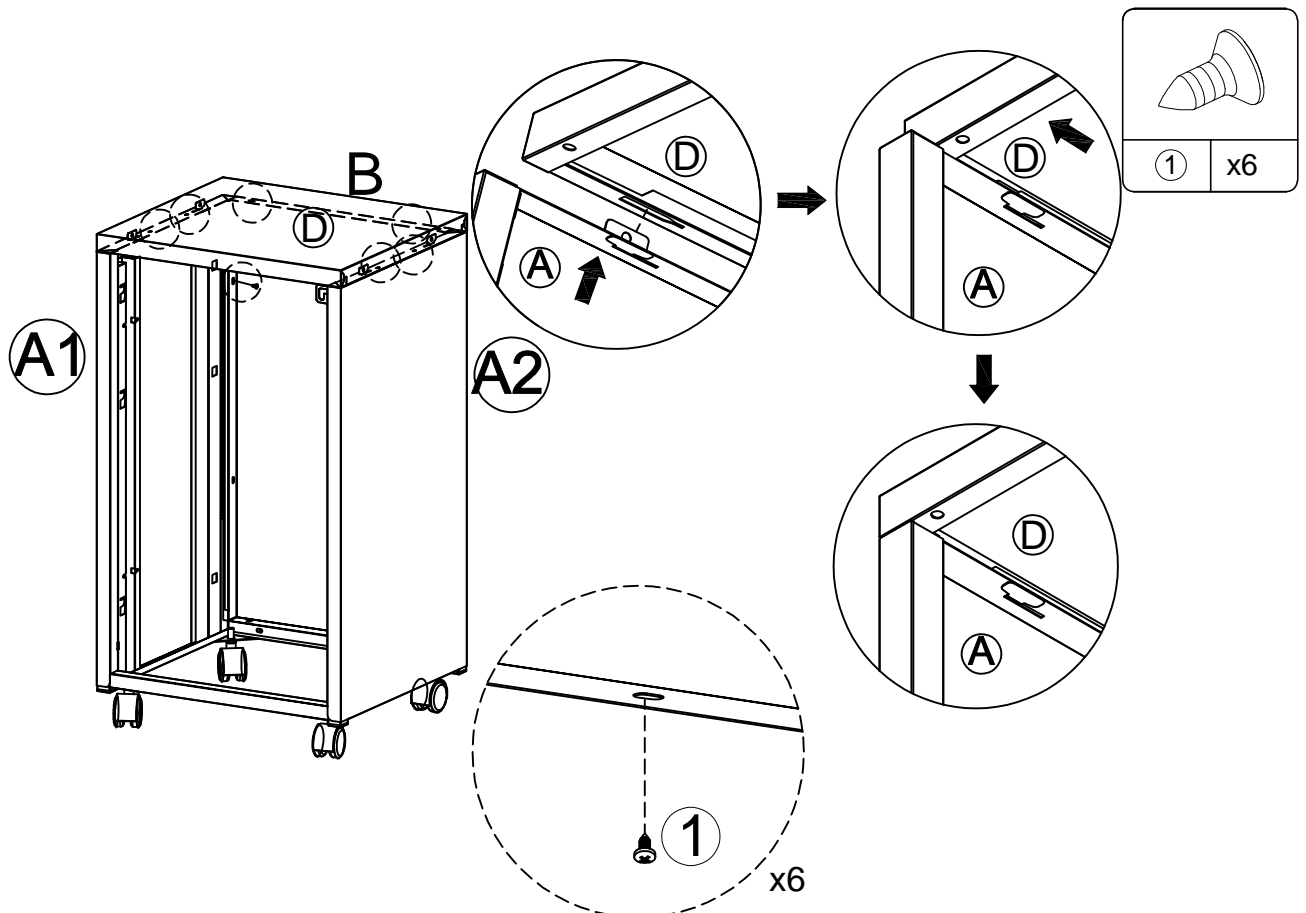
(2) - Attach ③ to (A)&(E) as below shown.



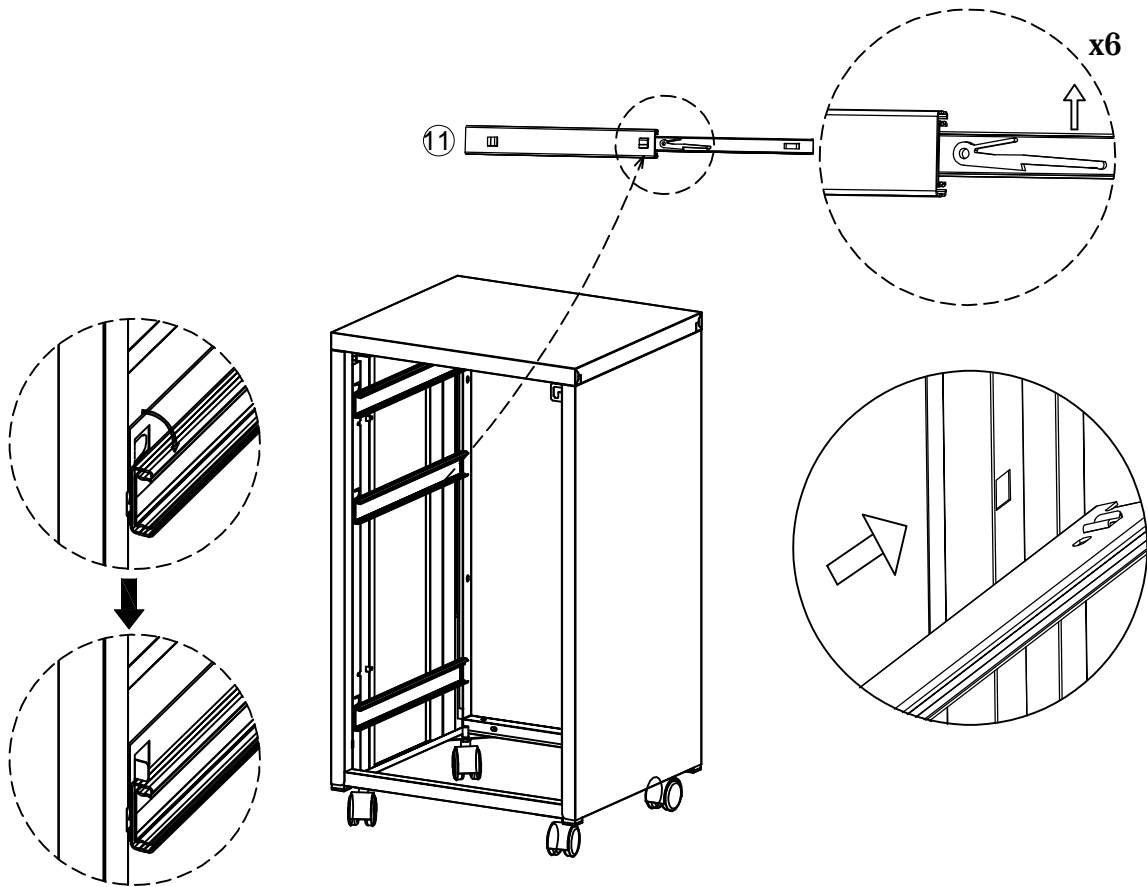
(3) - Attach (B) to (A) & (E) as below shown.



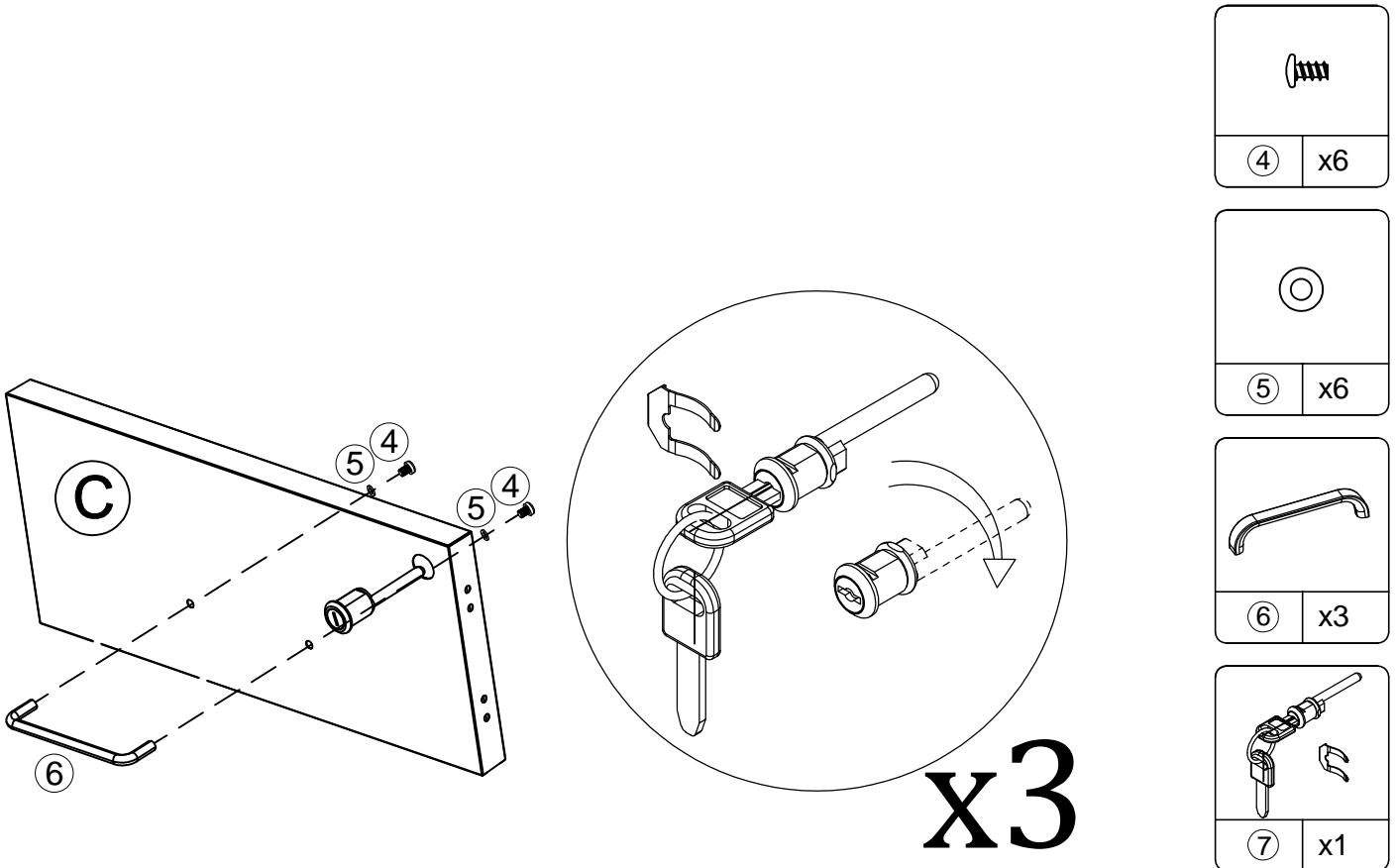
(4) - Attach (D) to (A) & (B) as below shown.



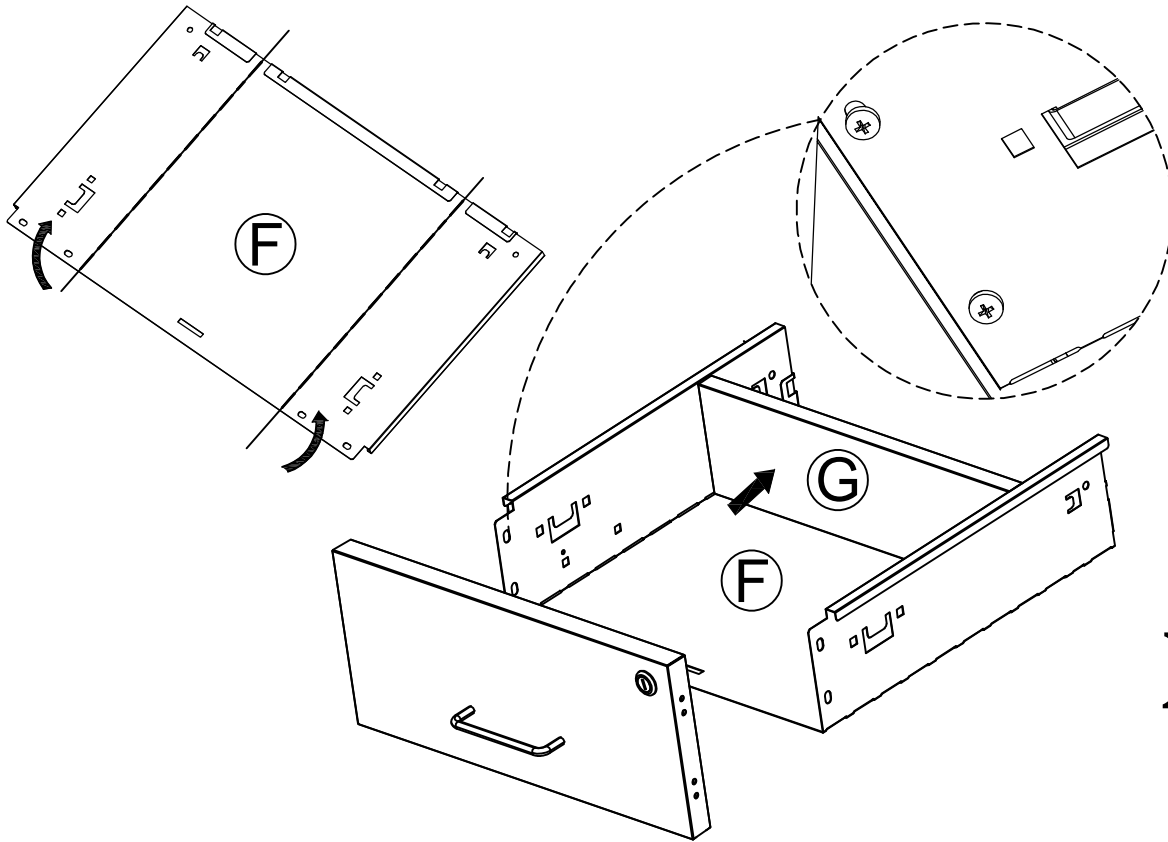
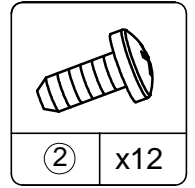
(5) -Attach Drawer Slide Rail Shell to (A) as below shown.



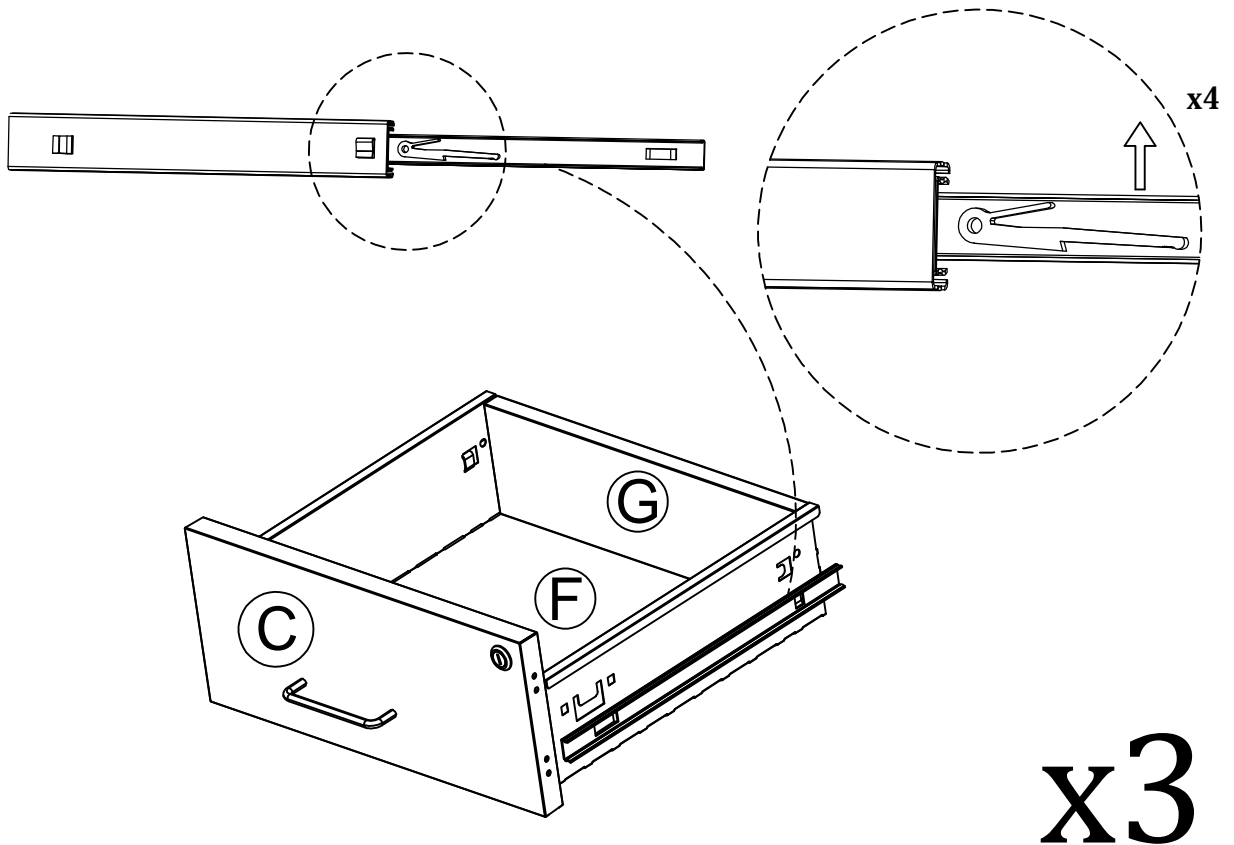
(6) - Attach (6) to (C) & (H) as below shown.



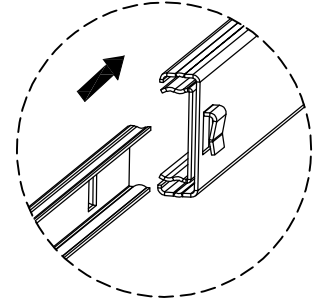
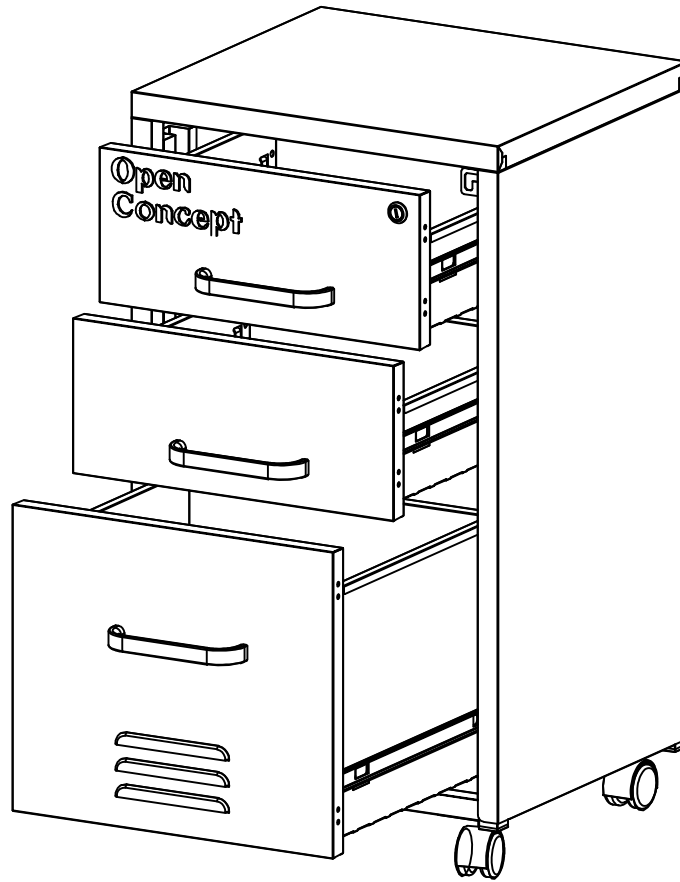
(7) -Attach (I) & (J) to (H) as below shown.



(8) -Attach Inner rail of Drawer Slide to Drawer as below shown.



(9) -Attach Drawer to pre-assembled unit as below shown.



Open Concept

Great Job! You're done it

Don't forget to share how it looks in
your space and tag us on Instagram

@spacegeneralnz